

2ND FLOOR : SOUTH HALL A

SCALE : 1:1/8
REF:52-0-1A(07/06/2018)

DRAWN BY:-

CHKD BY:-

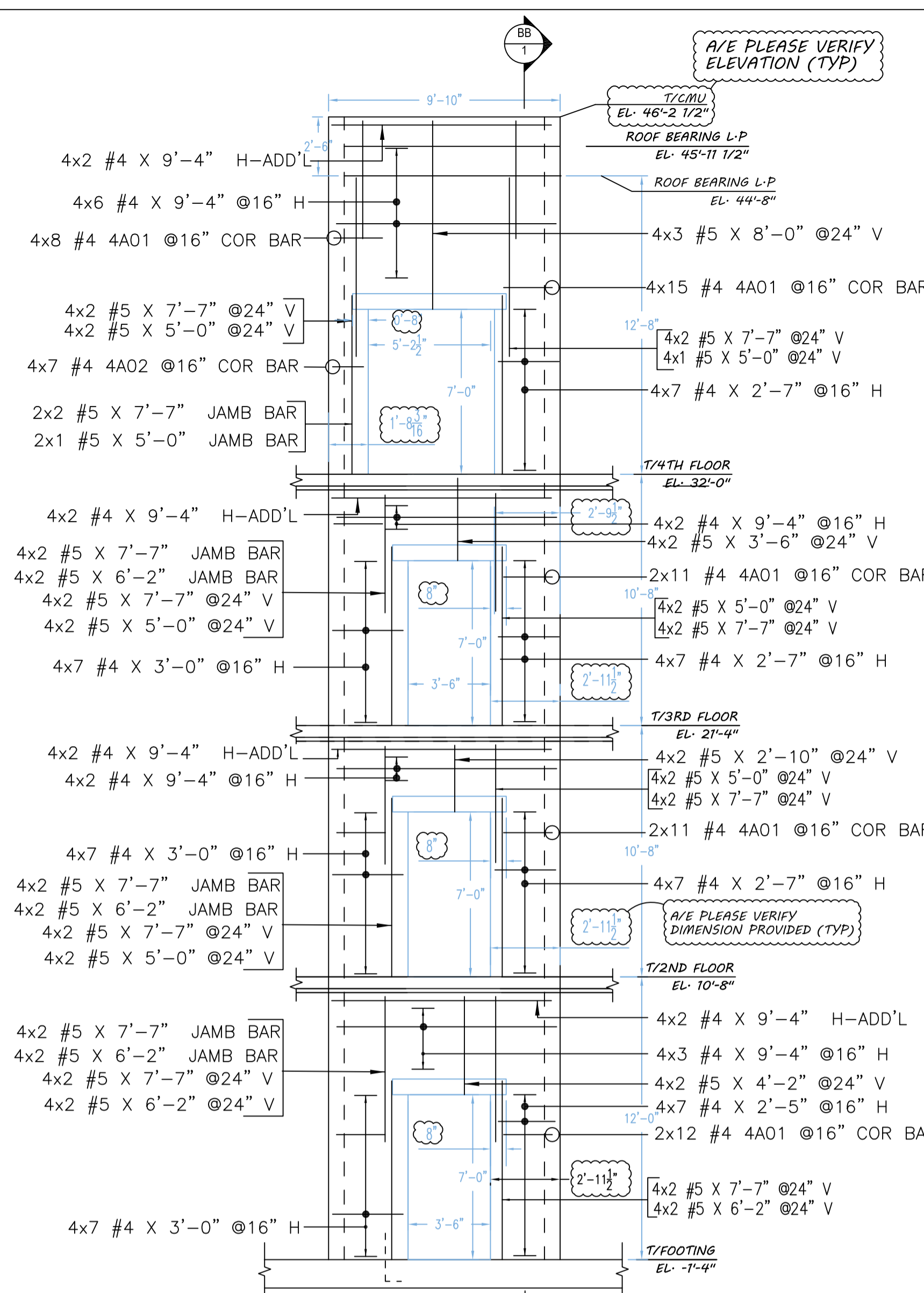
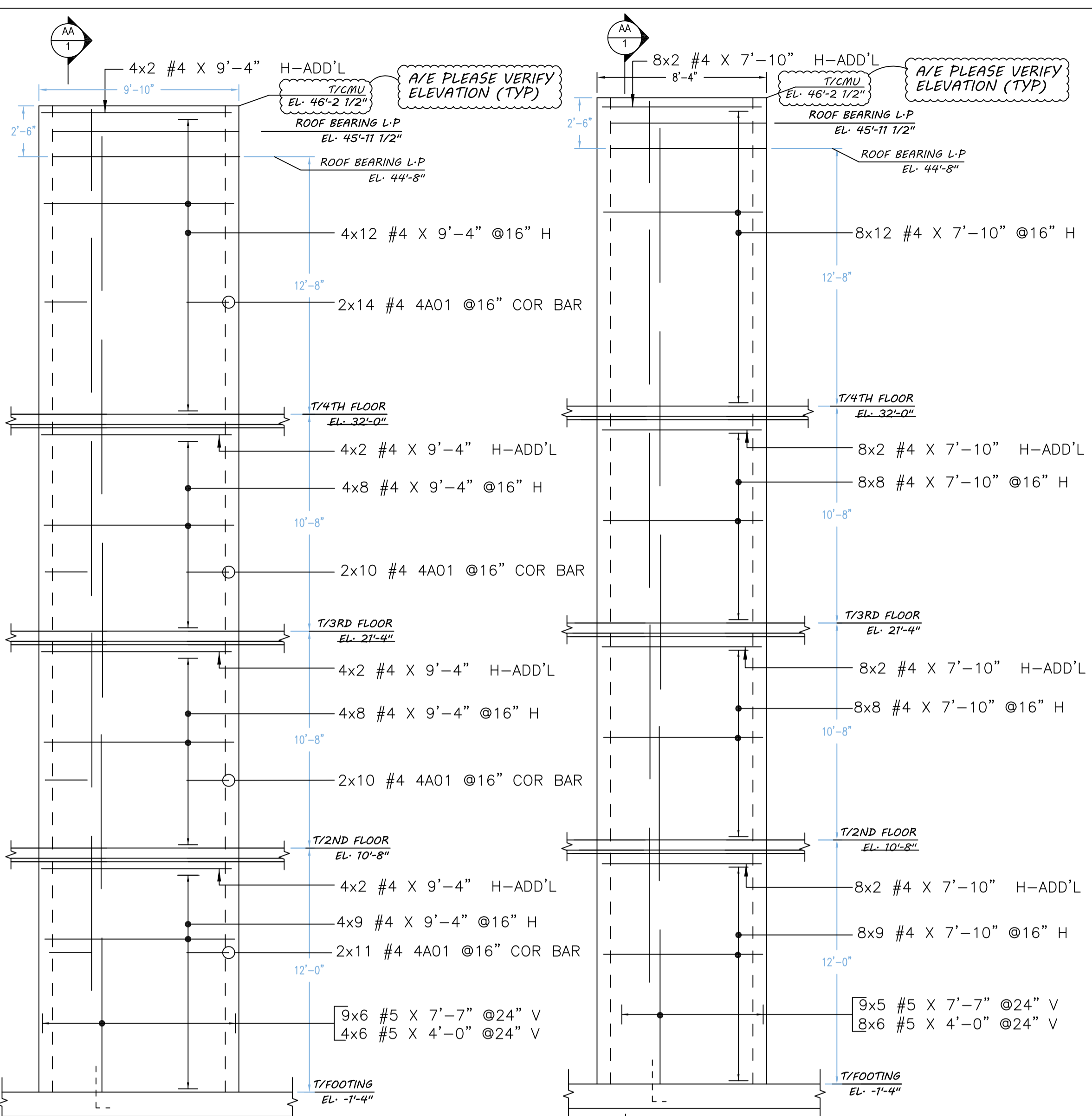
DATE:-

GRADE:-

0 FOR APPROVAL

REV DESCRIPTION

DATE



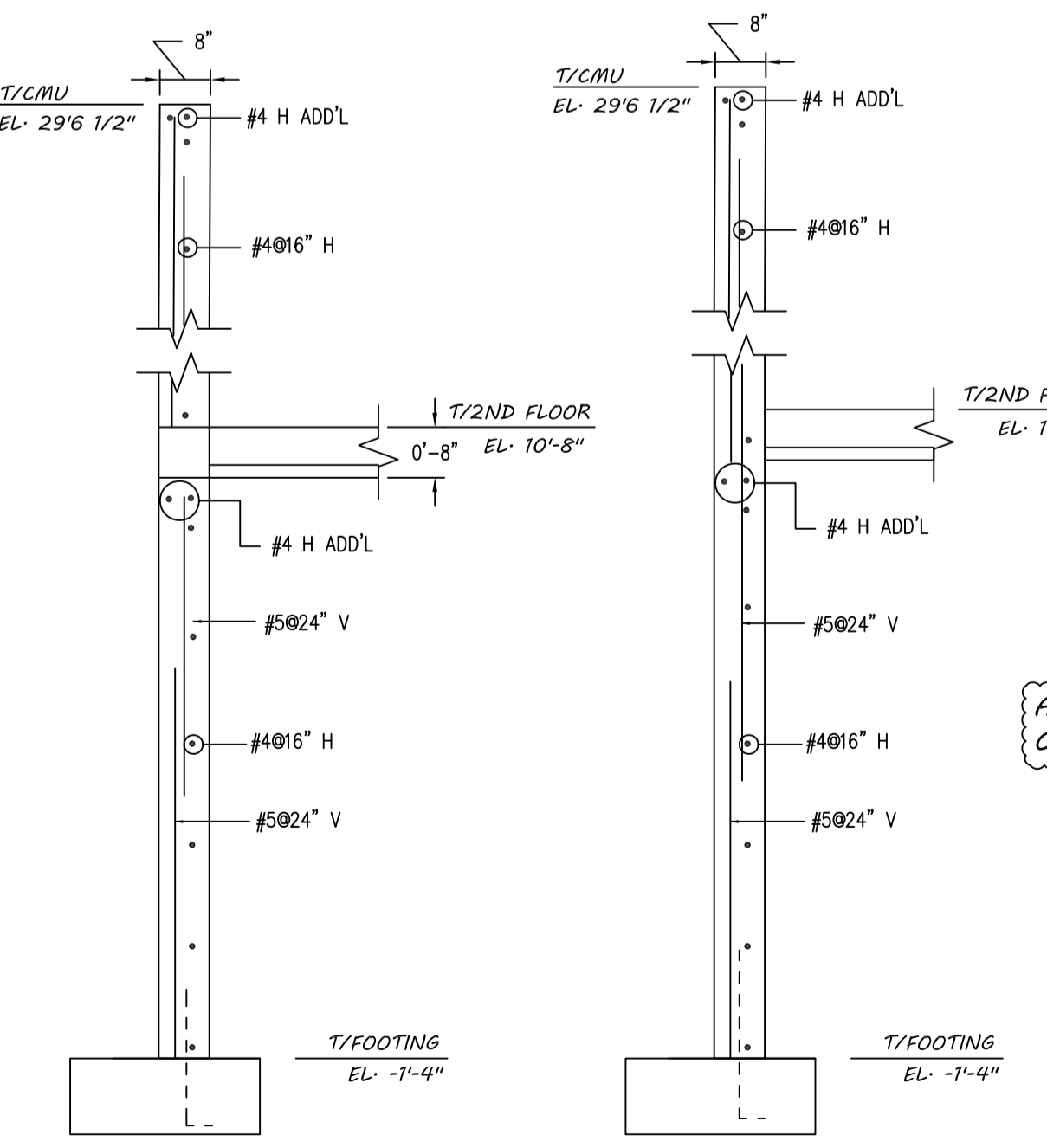
Release Number: R04

Bar Mark	Qty	Size	Total Length	Type	X'	Y'	Z'	U'	V'	W'	X'	Y'	Z'	U'	V'	W'
4A02	28	#4	3'-5"	17			4'-0"									
4A01	32	#4	4'-2"	17			1'-4"	2'-1"								
4A01	88	#4	4'-2"	17			2'-1"	2'-1"								
4A01	88	#4	4'-2"	17			2'-1"	2'-1"								
4A01	60	#4	4'-2"	17			2'-1"	2'-1"								
4A01	96	#4	4'-2"	17			2'-1"	2'-1"								
8	#4	9'-4"	9'-4"													
12	#4	9'-4"	9'-4"													
24	#4	9'-4"	9'-4"													
8	#4	9'-4"	9'-4"													
28	#4	3'-0"	3'-0"													
28	#4	3'-0"	3'-0"													
8	#4	9'-4"	9'-4"													
8	#4	9'-4"	9'-4"													
28	#4	3'-0"	3'-0"													
28	#4	2'-5"	2'-5"													
28	#4	2'-7"	2'-7"													
28	#4	2'-7"	2'-7"													
12	#5	8'-0"	8'-0"													
8	#5	3'-6"	3'-6"													
8	#5	2'-10"	2'-10"													
8	#5	4'-2"	4'-2"													
8	#5	5'-0"	5'-0"													
16	#5	7'-7"	7'-7"													
16	#5	5'-0"	5'-0"													
32	#5	7'-7"	7'-7"													
16	#5	7'-7"	7'-7"													
16	#5	6'-2"	6'-2"													
8	#5	6'-2"	6'-2"													
8	#5	7'-7"	7'-7"													
4A01	112	#4	4'-2"	17			2'-1"	2'-1"								
4A01	80	#4	4'-2"	17			2'-1"	2'-1"								
4A01	80	#4	4'-2"	17			2'-1"	2'-1"								
4A01	88	#4	4'-2"	17			2'-1"	2'-1"								
16	#4	7'-10"	7'-10"													
64	#4	7'-10"	7'-10"													
16	#4	7'-10"	7'-10"													
64	#4	7'-10"	7'-10"													
16	#4	7'-10"	7'-10"													
96	#4	7'-10"	7'-10"													
72	#4	7'-10"	7'-10"													
16	#4	7'-10"	7'-10"													
48	#5	4'-0"	4'-0"													
360	#5	7'-7"	7'-7"													
48	#4	9'-4"	9'-4"													
32	#4	9'-4"	9'-4"													
32	#4	9'-4"	9'-4"													
8	#4	9'-4"	9'-4"													
8	#4	9'-4"	9'-4"													
8	#4	9'-4"	9'-4"													
8	#4	9'-4"	9'-4"													
216	#5	7'-7"	7'-7"													
8	#5	7'-7"	7'-7"													
8	#5	6'-2"	6'-2"													
16	#5	7'-7"	7'-7"													
8	#5	6'-2"	6'-2"													
8	#5	5'-0"	5'-0"													
16	#5	7'-7"	7'-7"													
16	#5	6'-2"	6'-2"													
8	#5	5'-0"	5'-0"													
8	#5	7'-7"	7'-7"													
8	#5	5'-0"	5'-0"													
8	#5	7'-7"	7'-7"													
4	#5	5'-0"	5'-0"													

REQ X 4
ELEVATION A,E,I,M
SCALE = 1/4" = 1'-0"
REF : 52-0-2A,52-0-2D,9/53-1-1(07/06/2018)

REQ X 8
ELEVATION B,D,F,H,J,L,N,P
SCALE = 1/4" = 1'-0"
REF : 52-0-2A,52-0-2D,10/12 53-1-1,(07/06/2018)

REQ X 4
ELEVATION C,G,K,O
SCALE = 1/4" = 1'-0"
REF : 52-0-2A,52-0-2D,11/53-1-1(07/06/2018)



SECTION B-B
SCALE = 1/2" = 1'-0"
REF : 52-0-2A,52-0-2D,11/53-1-1(07/06/2018)

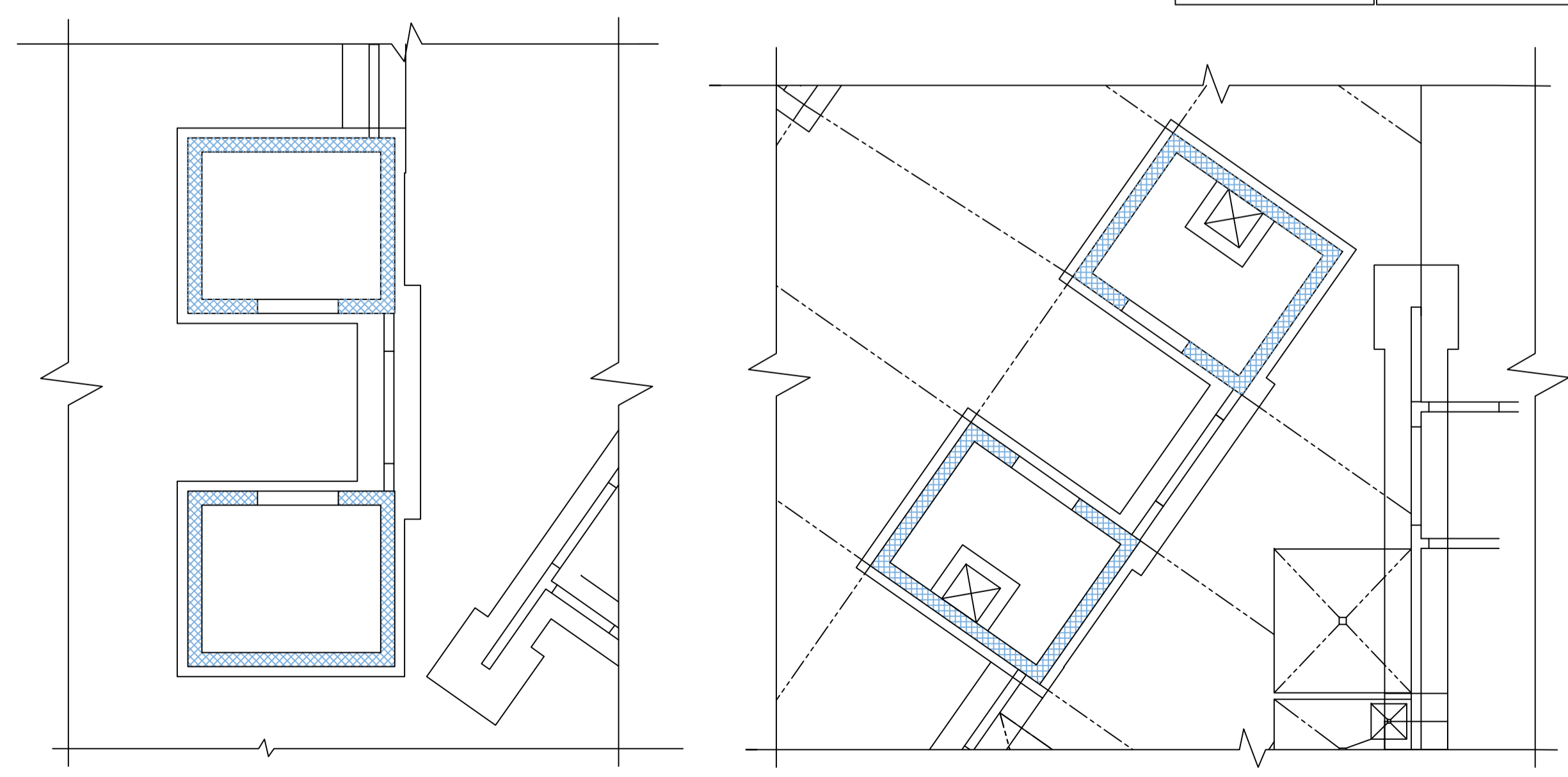
SECTION A-A
SCALE = 1/2" = 1'-0"
REF : 52-0-2A,52-0-2D,10/53-1-1(07/06/2018)

LAP SCHEDULE

BAR SIZE	LAP LENGTH
#4	25"
#5	31"

- LEGENDS
- ADD'L'S - ADDITIONALS
 - TYP - TYPICAL
 - H/HORIZ - HORIZONTAL
 - V - VERTICAL
 - CLR - CLEAR
 - COR - CORNER BAR
 - REF - REFERENCE
 - EL - ELEVATION
 - T/ - TOP
 - REINF - REINFORCEMENT

- NOTES:-
- COVER DETAILS
 - FOR CMU TOP OF WALL = 1 1/2"
 - FOR SIDE WERE WALL EXISTING TO SOIL=3"
 - FOR SIDE OF WALL = 2"
 - STOCK LENGTH USED IS 30'-0"
 - BARS TO BE PLACED AT EQUAL SPACING U-O-N.
 - TILT HOOK TO ACCOMMODATE THE COVER, IF NEED
 - GROUT LENGTH = 5'-0' + LAP LENGTH.
- SECTION MARK # - ELEVATION MARK



KEY PLAN (2ND FLOOR SOUTH HALL D)

KEY PLAN (2ND FLOOR NORTH HALL A)

DATE	DESCRIPTION	REV
		0

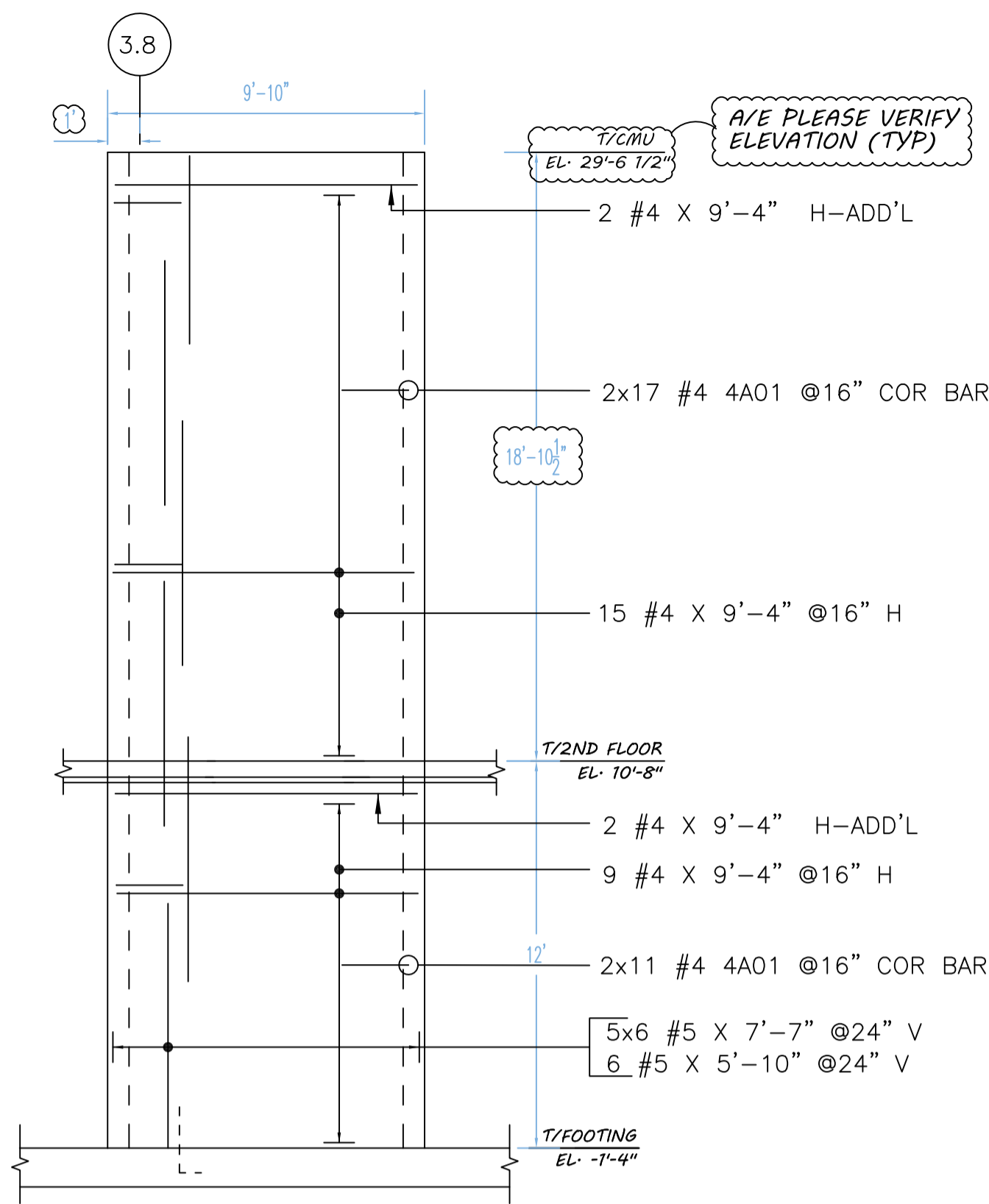
DRAWN BY:-

CHKD BY:-

DATE:-

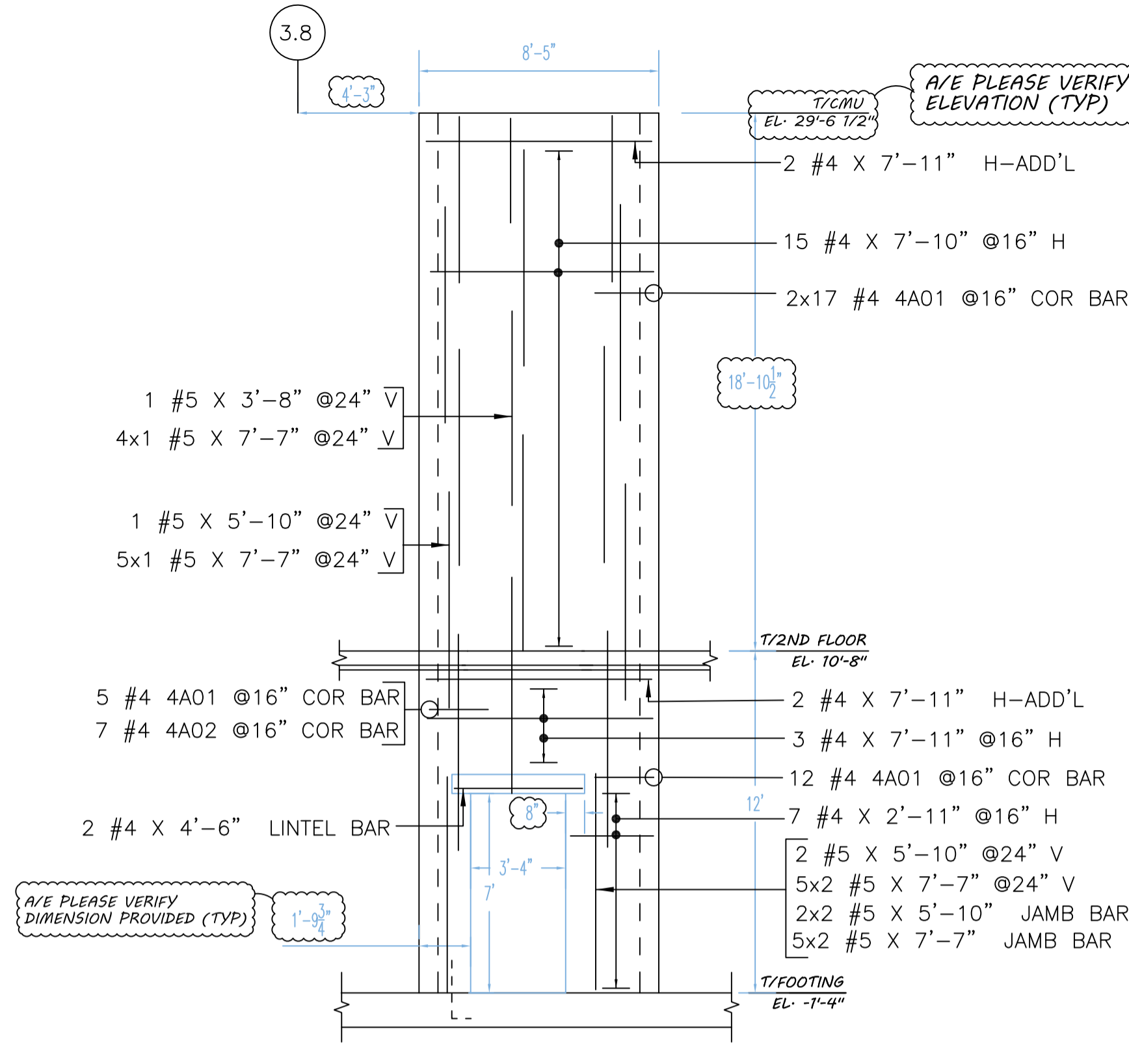
GRADE:-

SHEET R04



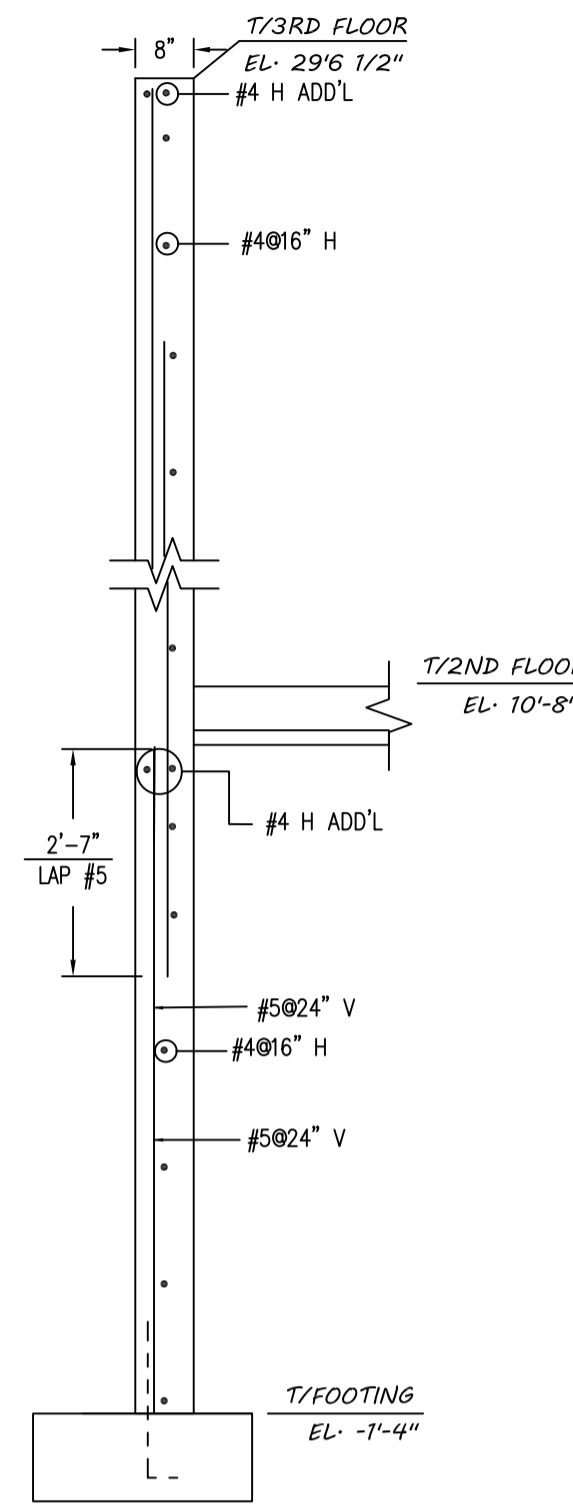
ELEVATION Q

SCALE = 1/4" = 1'-0"
REF : S2-O-2E,12/S3-1-1(07/06/2018)



ELEVATION R

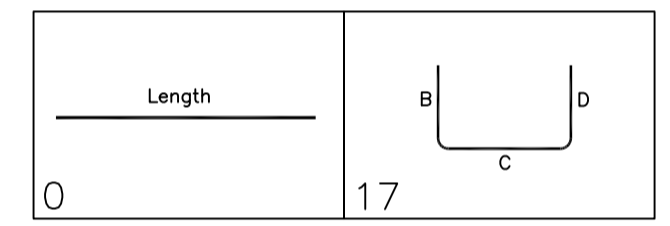
SCALE = 1/4" = 1'-0"
REF : S2-O-2E,12/S3-1-1(07/06/2018)



SECTION A-A

SCALE = 1/2" = 1'-0"
REF : S2-O-2E,53-1,12/S3-1-1 (07/06/2018)

Release Number: R05		BAR LIST												
Bar Mark	Qty	Size	Total Length	Type	X'	Y'	Z'	V'	V'	V'	V'	V'	V'	V'
4A01	34	#4	4'-2"	17				2'-1"						
4A01	34	#4	4'-2"	17				2'-1"						
4A02	7	#4	3'-5"	17				1'-4"						
4A01	5	#4	4'-2"	17				2'-1"						
4A01	12	#4	4'-2"	17				2'-1"						
4A01	34	#4	4'-2"	17				2'-1"						
	2	#4	4'-5"					4'-6"						
	2	#4	4'-5"					4'-8"						
	2	#4	4'-5"					4'-8"						
	4	#5	7'-7"					7'-7"						
	1	#5	3'-8"					3'-8"						
	7	#4	2'-5"					2'-5"						
	7	#4	3'-0"					3'-0"						
	2	#5	5'-10"					5'-10"						
	10	#5	7'-7"					7'-7"						
	7	#4	3'-0"					3'-0"						
	7	#4	2'-5"					2'-5"						
	5	#5	7'-7"					7'-7"						
	1	#5	5'-10"					5'-10"						
	4	#5	5'-10"					5'-10"						
	20	#5	7'-7"					7'-7"						
	2	#5	5'-10"					5'-10"						
	10	#5	7'-7"					7'-7"						
	4	#5	5'-10"					5'-10"						
	20	#5	7'-7"					7'-7"						
	2	#5	5'-10"					5'-10"						
	15	#5	7'-7"					7'-7"						
	2	#5	4'-10"					4'-10"						
4A01	34	#4	4'-2"	17				2'-1"						
	3	#4	7'-11"					7'-11"						
	15	#4	7'-10"					7'-10"						
	3	#4	9'-4"					9'-4"						
	8	#4	9'-4"					9'-4"						
	2	#4	9'-4"					9'-4"						
	2	#4	9'-4"					9'-4"						
	2	#4	7'-11"					7'-11"						
	2	#4	7'-11"					7'-11"						
	2	#4	7'-11"					7'-11"						
	15	#4	7'-11"					7'-11"						
	9	#4	7'-11"					7'-11"						
	6	#5	5'-10"					5'-10"						
	30	#5	7'-7"					7'-7"						
4A01	22	#4	4'-2"	17				2'-1"						
	2	#4	9'-4"					9'-4"						
	2	#4	9'-4"					9'-4"						
	15	#4	9'-4"					9'-4"						
	9	#4	9'-4"					9'-4"						
	6	#5	5'-10"					5'-10"						
	30	#5	7'-7"					7'-7"						
	7	#4	2'-11"					2'-11"						



NOTES:-

- COVER DETAILS
 - FOR CMU TOP OF WALL = 1 1/2"
 - FOR SIDE WERE WALL EXISTING TO SOIL=3"
 - FOR SIDE OF WALL =2"
- STOCK LENGTH USED IS 30'-0"
- BARS TO BE PLACED AT EQUAL SPACING U-O-N
- TILT HOOK TO ACCOMMODATE THE COVER, IF NEED
- GROUT LENGTH = 5'-0" + LAP LENGTH

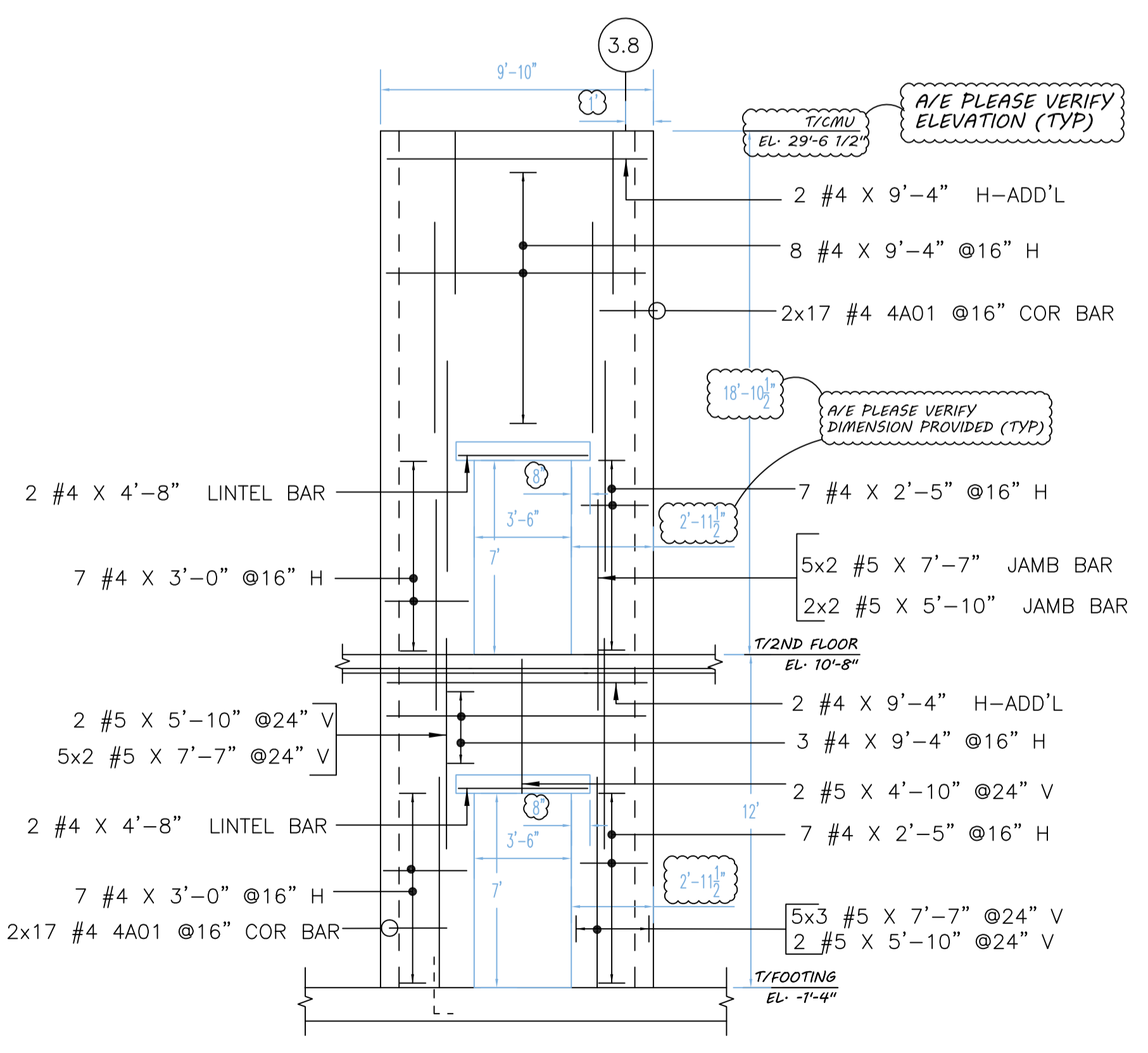
SECTION MARK
/ ## / ▲ - ELEVATION MARK

LAP SCHEDULE

BAR SIZE	LAP LENGTH
#4	25"
#5	31"

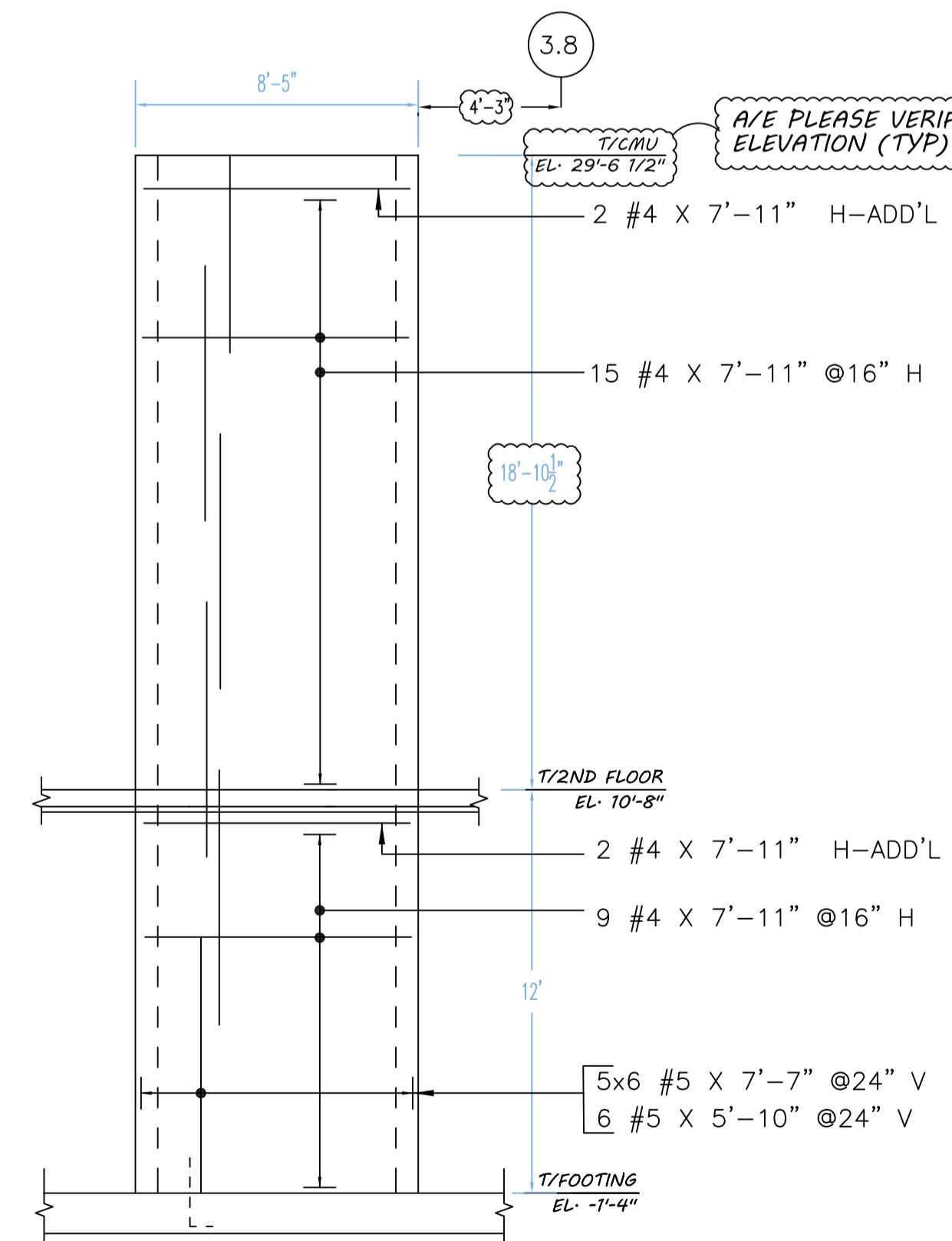
LEGENDS

ADD'L'S - ADDITIONALS
TYP - TYPICAL
H/HORIZ - HORIZONTAL
V - VERTICAL
CLR - CLEAR
COR - CORNER BAR
REF - REFERECE
EL - ELEVATION
T/ - TOP
REINF - REINFORCEMENT



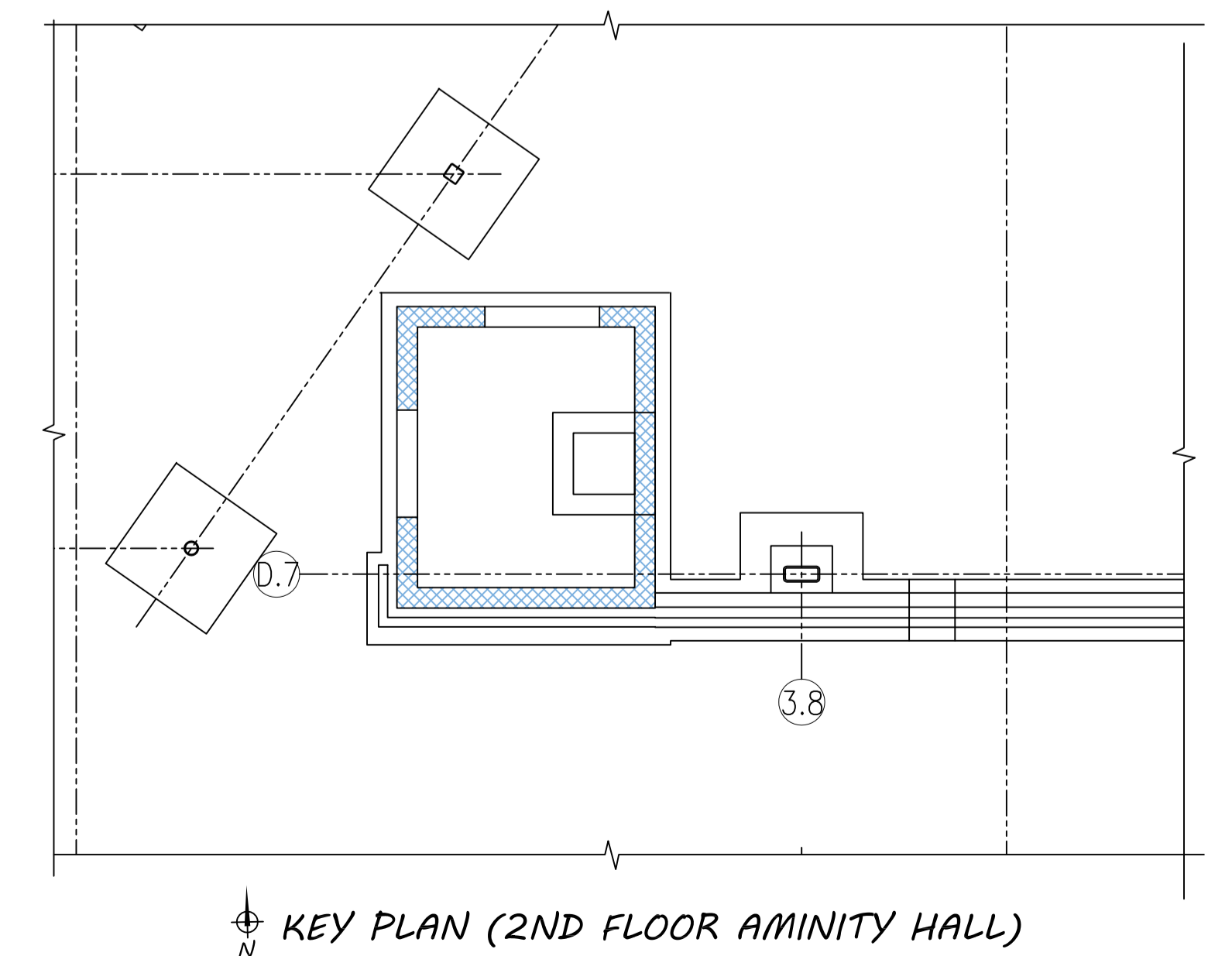
ELEVATION S

SCALE = 1/4" = 1'-0"
REF : S2-O-2E,12/S3-1-1(07/06/2018)



ELEVATION T

SCALE = 1/4" = 1'-0"
REF : S2-O-2E,12/S3-1-1(07/06/2018)



KEY PLAN (2ND FLOOR AMINITY HALL)

DATE	DESCRIPTION	REV	GRADE	DATE	DESCRIPTION
		0			

DRAWN BY: _____
CHKD BY: _____
DATE: _____
GRADE: _____

SHEET R05