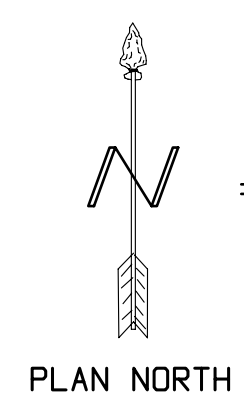
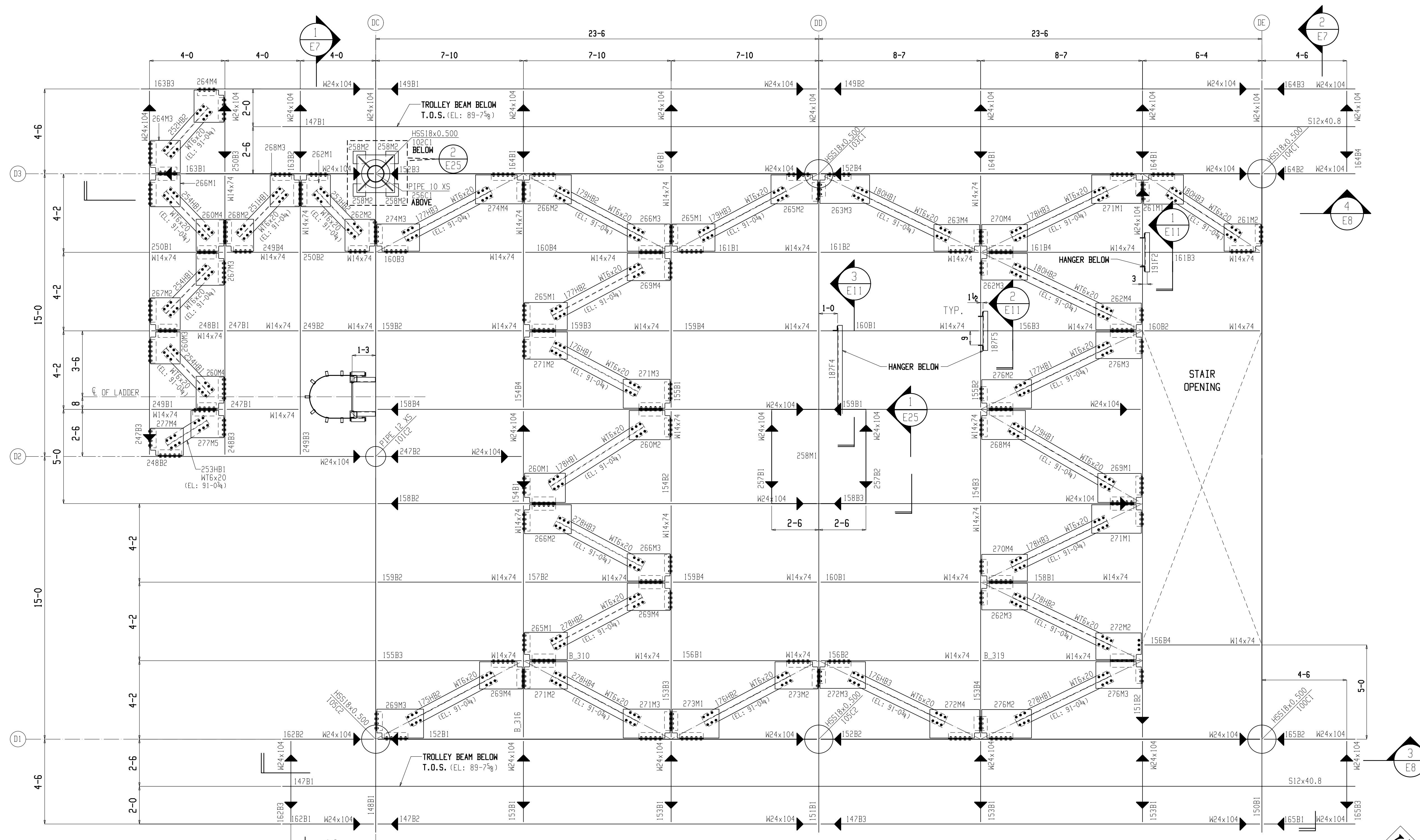


FRAMING PLAN  
 TOP OF STEEL ELEVATION: (+) 51'-7<sup>3</sup>/<sub>4</sub>"  
 ► = DENOTES MOMENT CONNECTION

**SAMPLE DRAWING  
 FOR INDUSTRIAL**



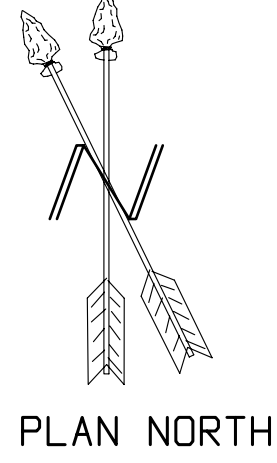
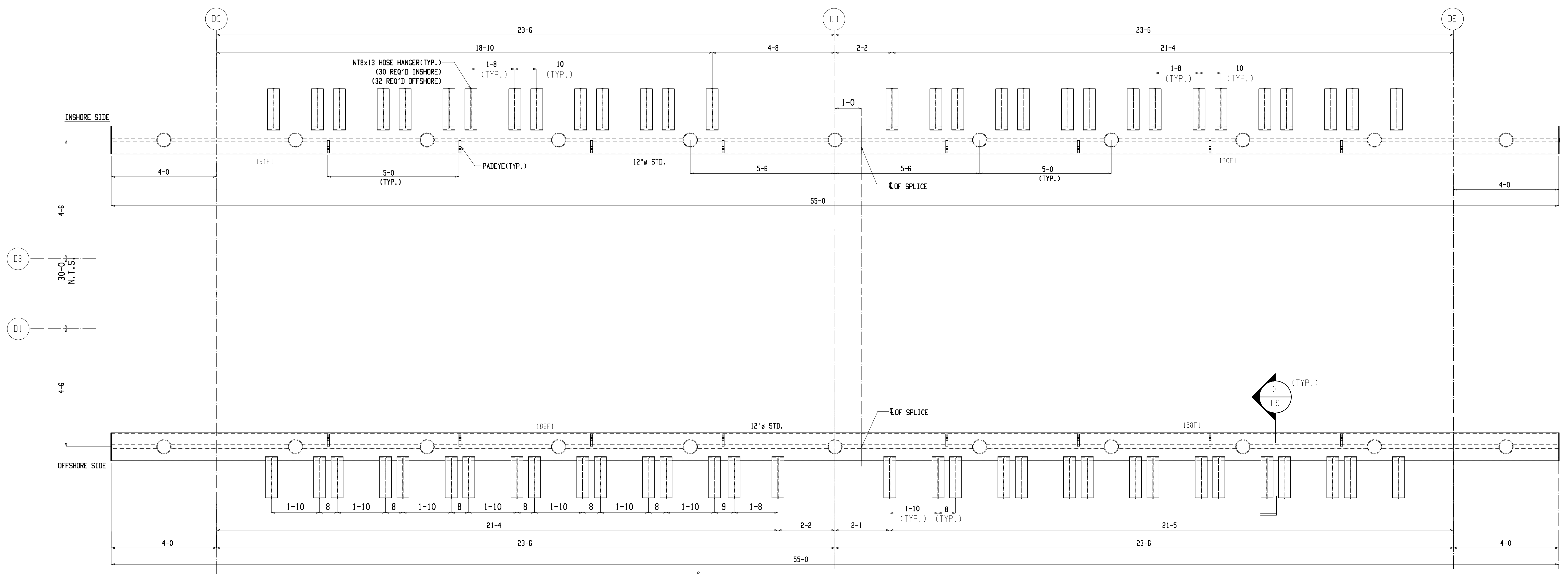




FRAMING PLAN  
 TOP OF STEEL ELEV: (+)91'-7 3/4"  
 ▴ = DENOTES MOMENT CONNECTION

**SAMPLE DRAWING  
 FOR INDUSTRIAL**

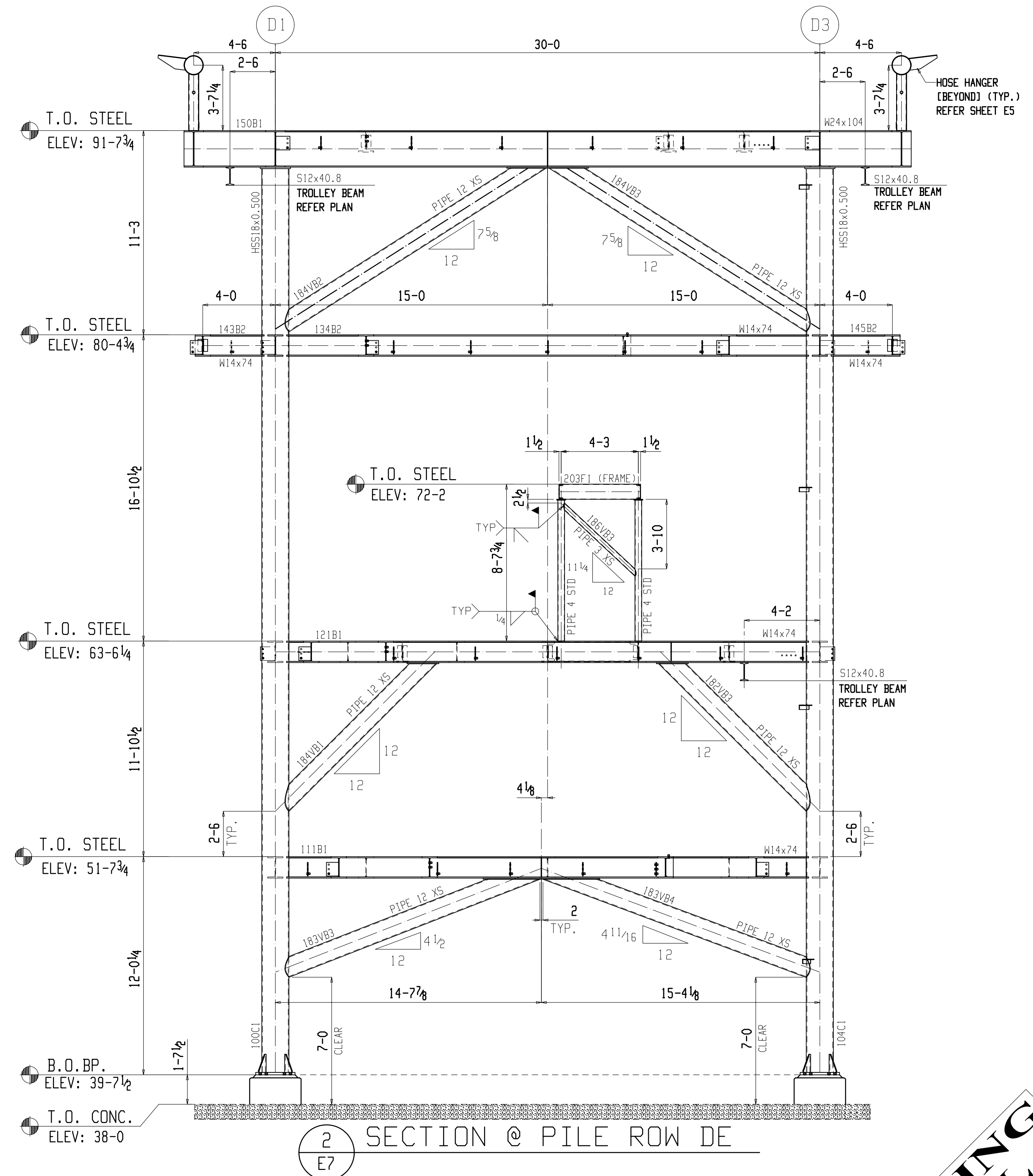
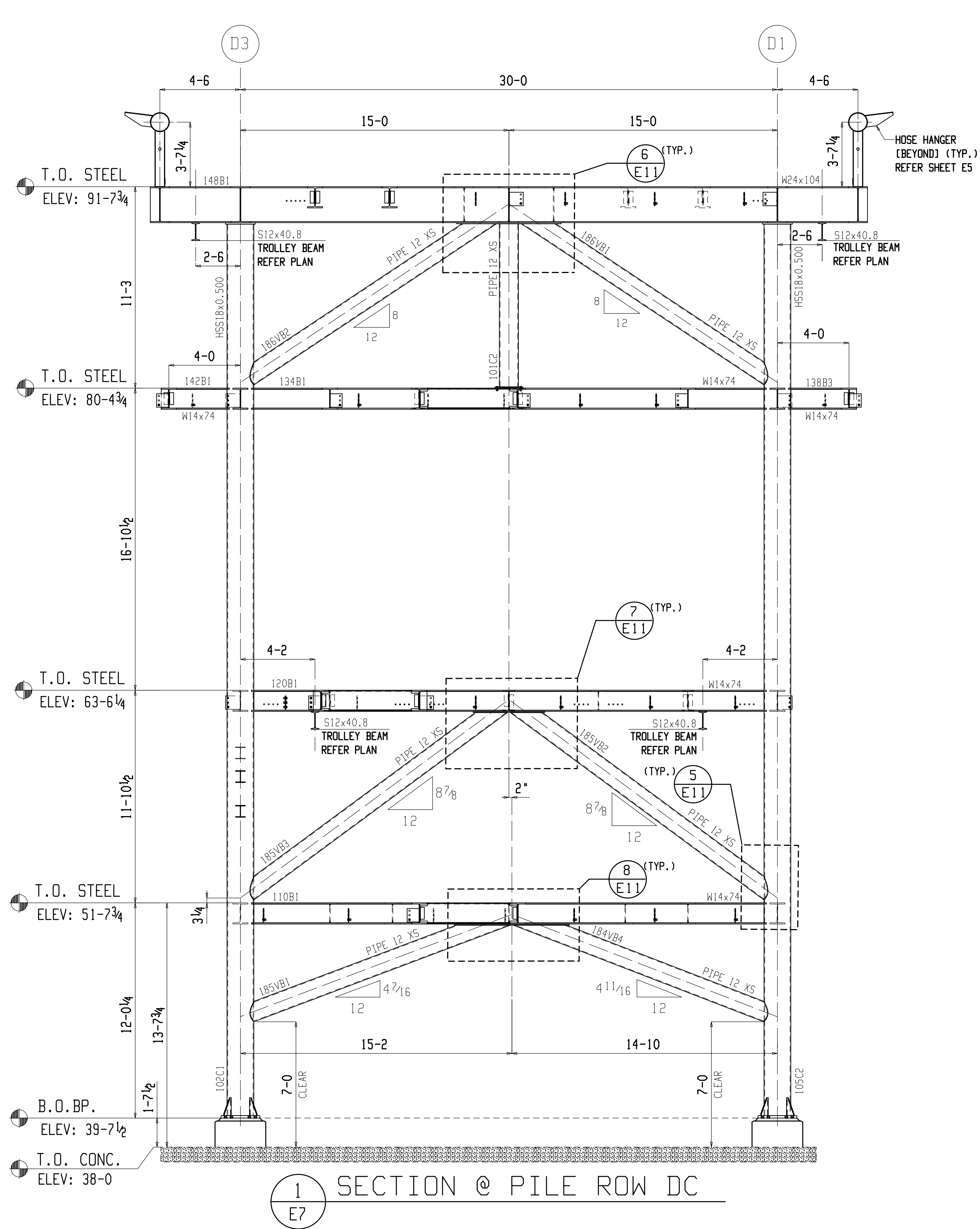




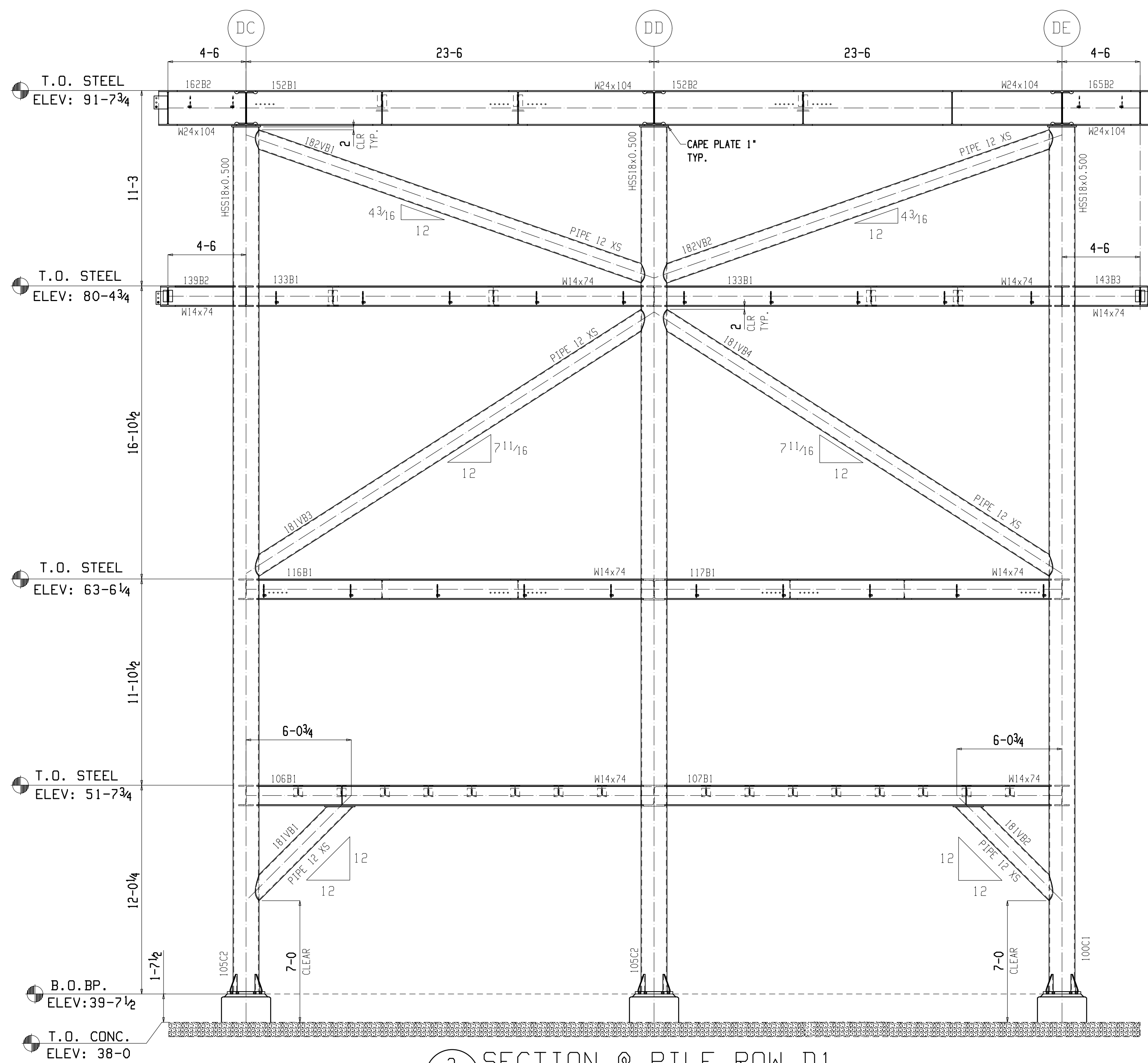
**HOSE HANGER PLAN**  
ELEVATION: 91-7<sup>3</sup>/<sub>4</sub> (U.N.O)

**SAMPLE DRAWING  
FOR INDUSTRIAL**

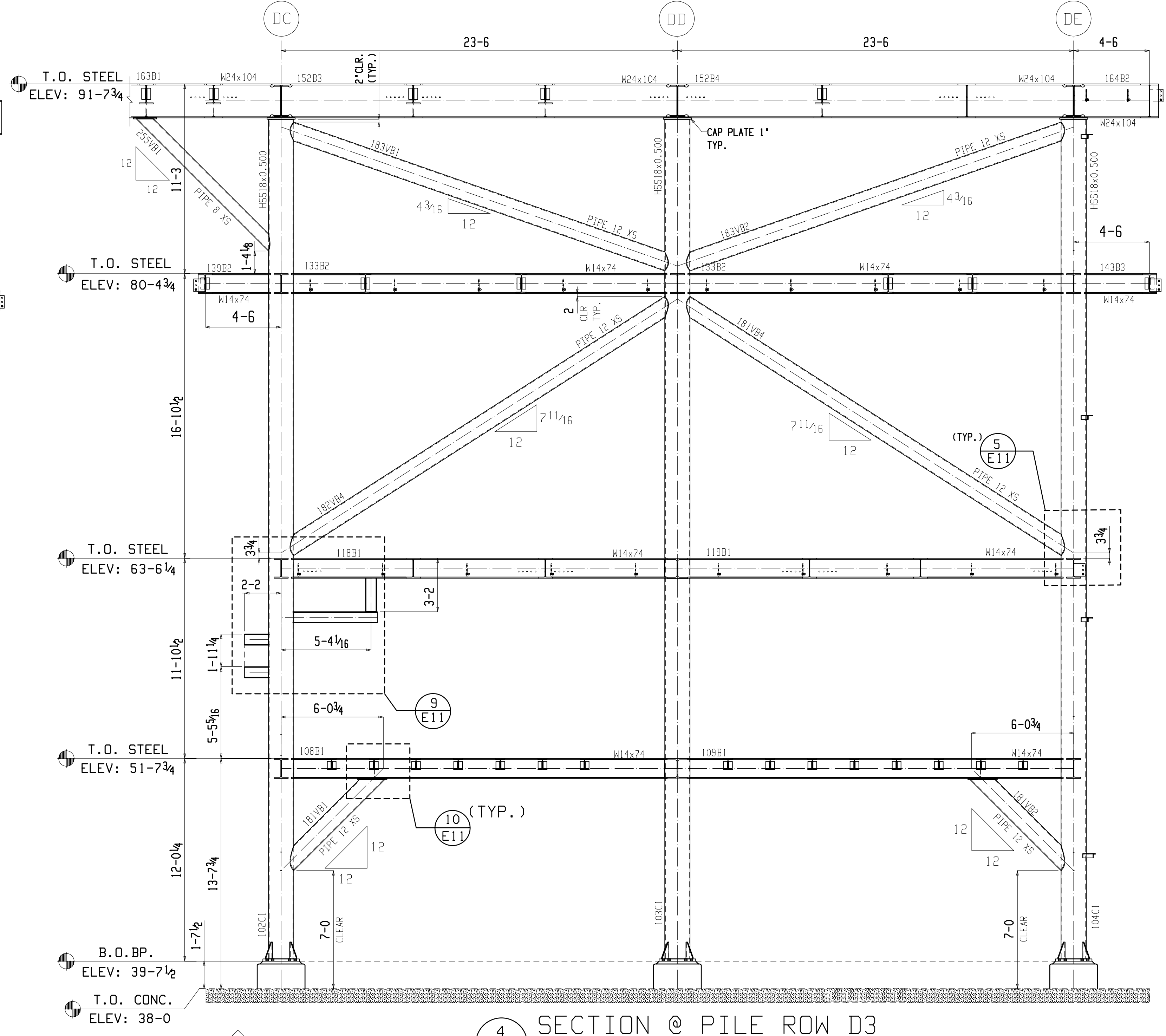




**SAMPLE DRAWING  
FOR INDUSTRIAL**

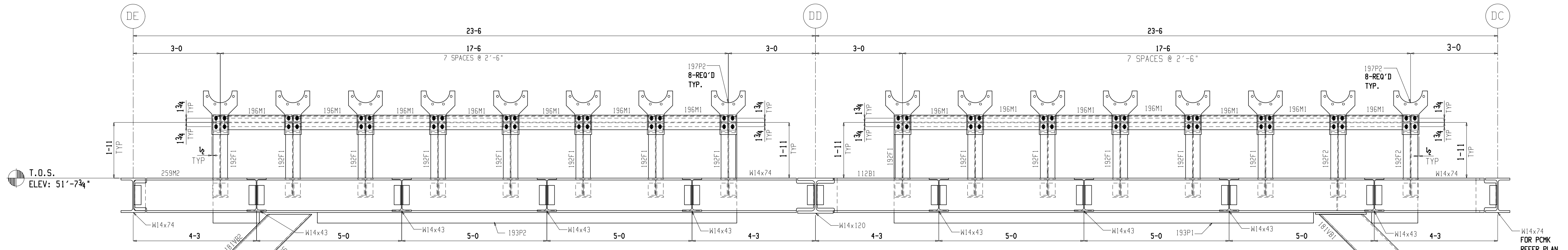


3 SECTION @ PILE ROW D1  
E8

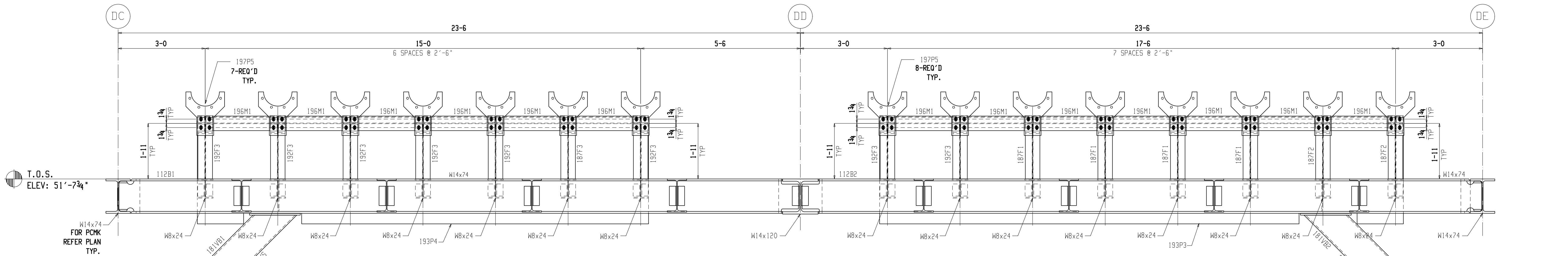


4 SECTION @ PILE ROW D3  
E8

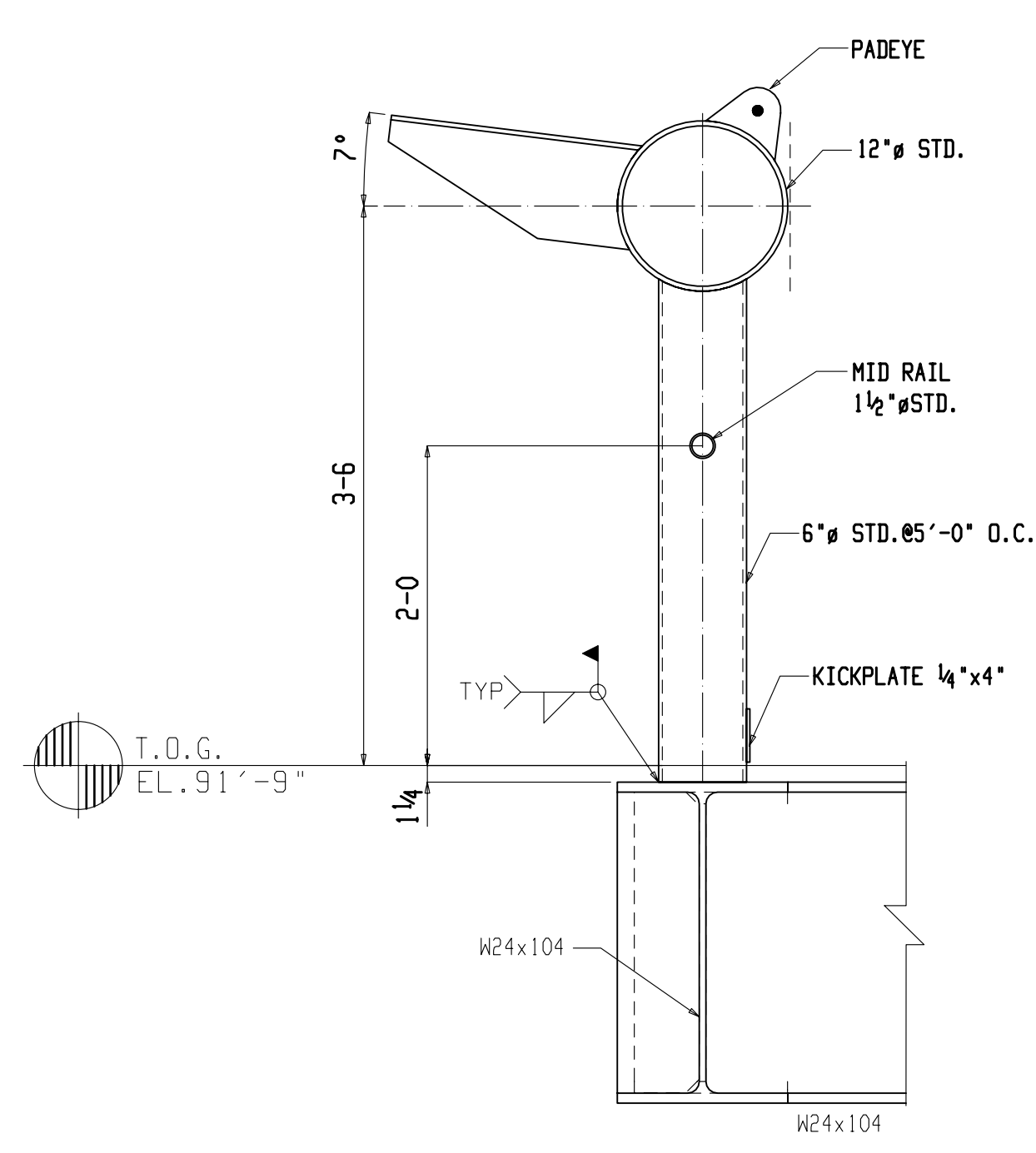
**SAMPLE DRAWING  
FOR INDUSTRIAL**



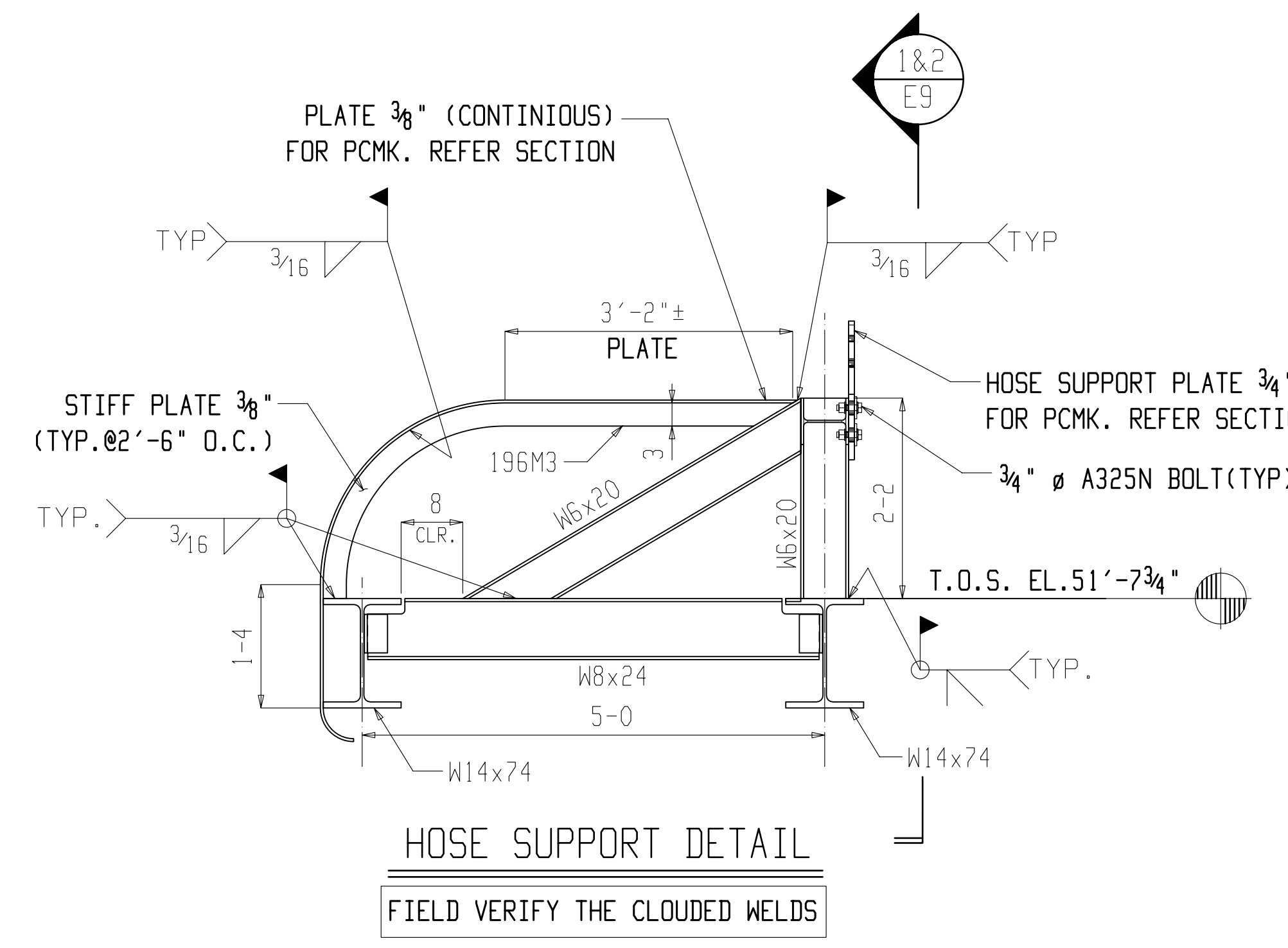
1 SECTION VIEW  
E9 REF:



2 SECTION VIEW  
E9 REF:

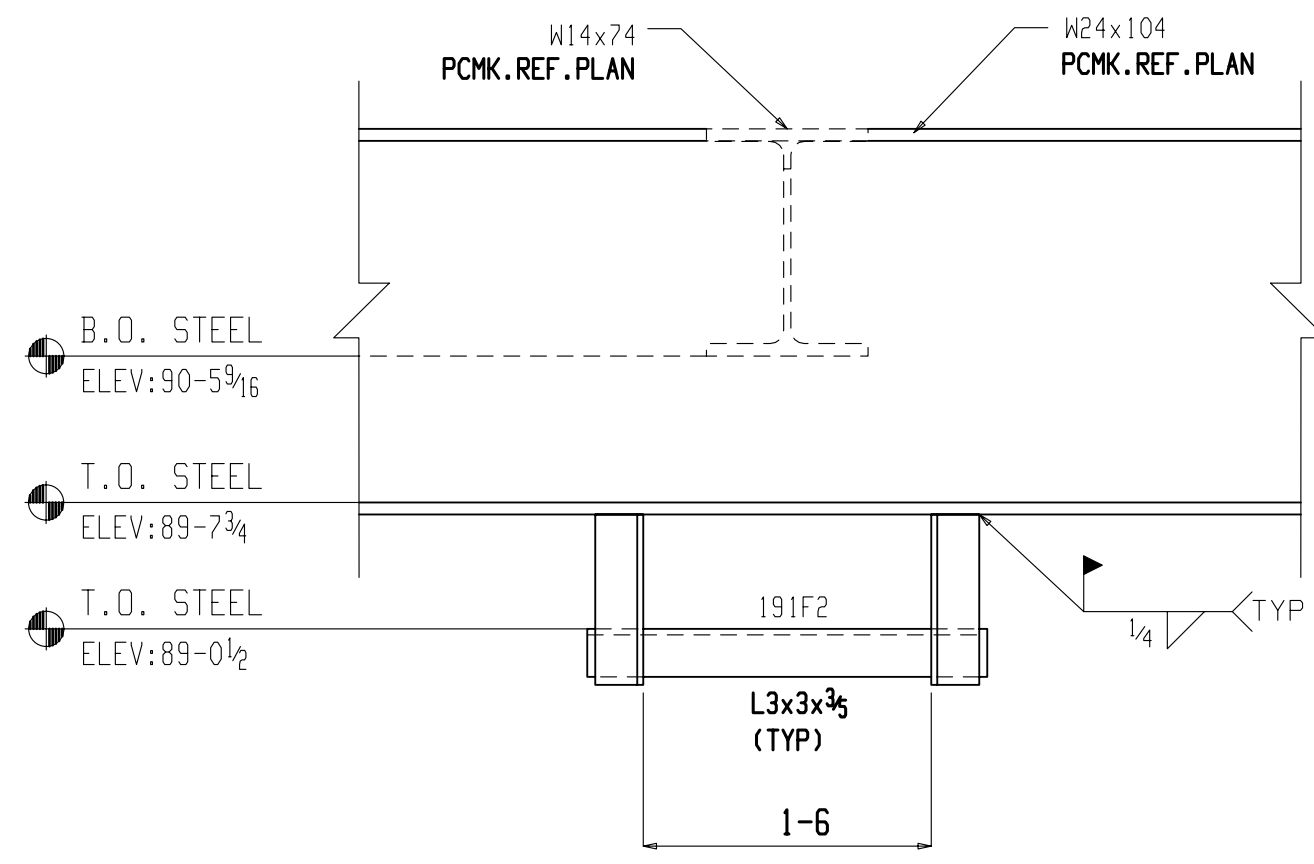


3 SECTION VIEW  
E9 REF: A/S27

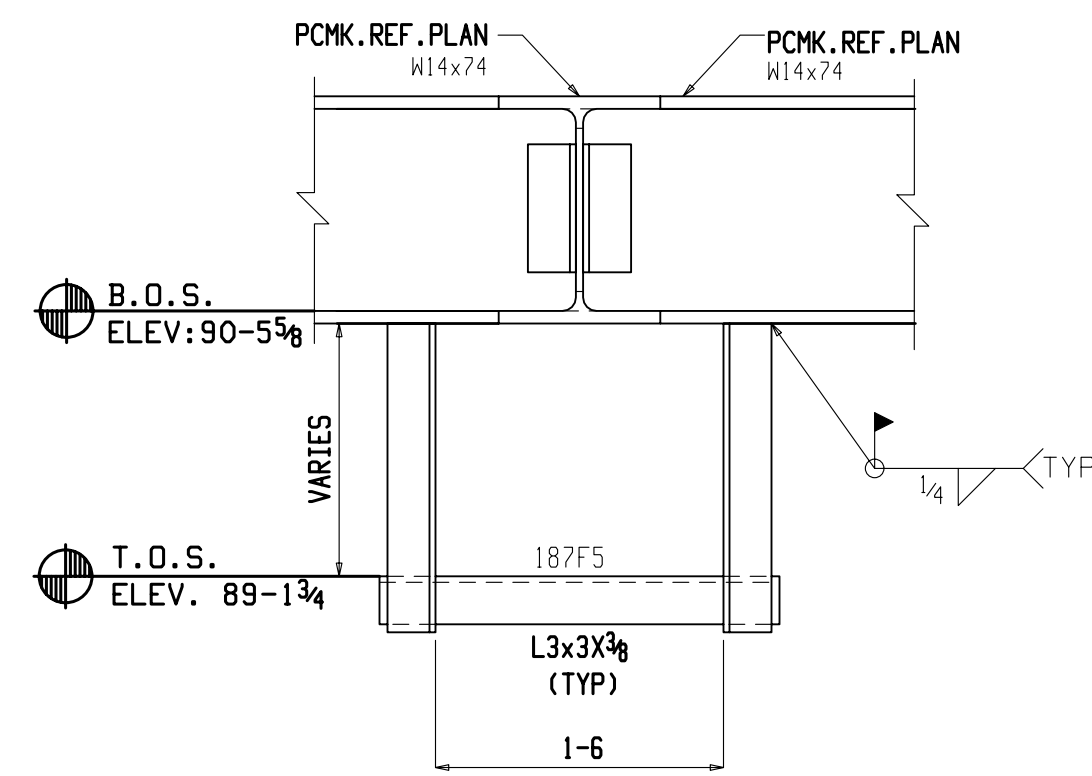


**SAMPLE DRAWING  
FOR INDUSTRIAL**

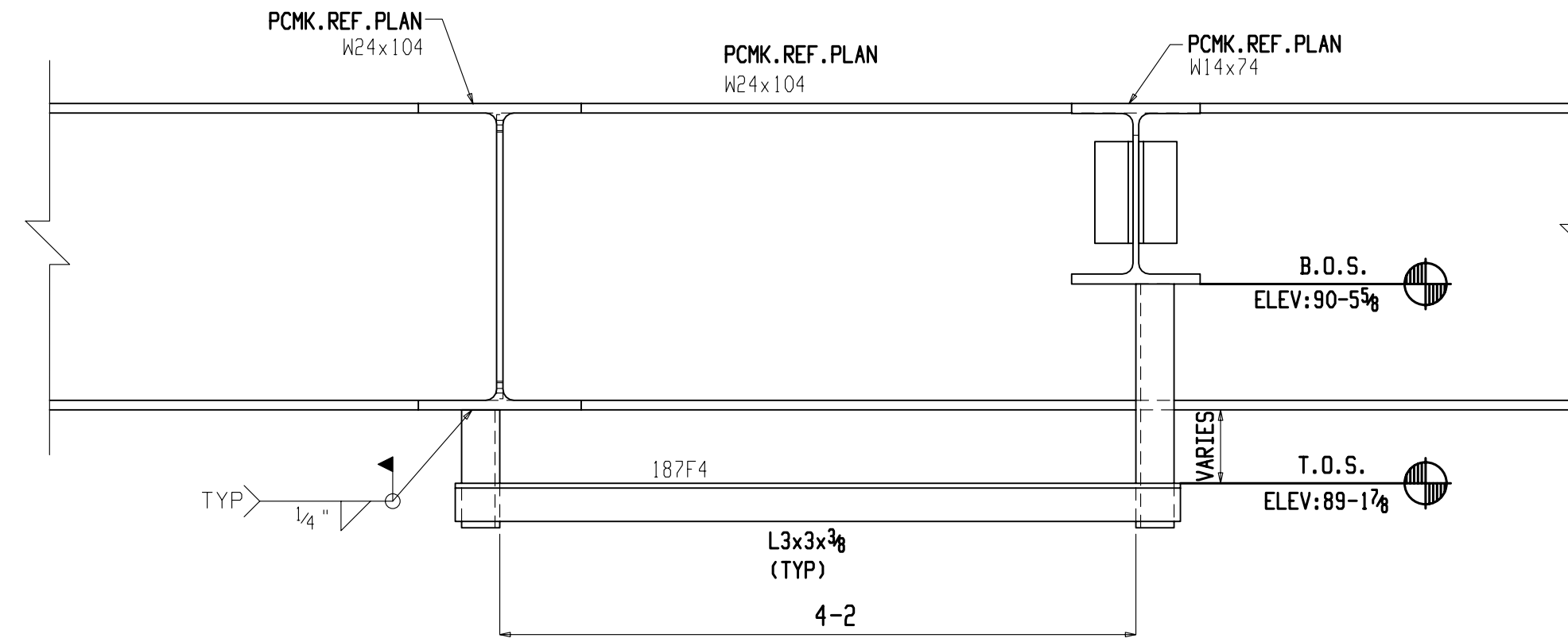




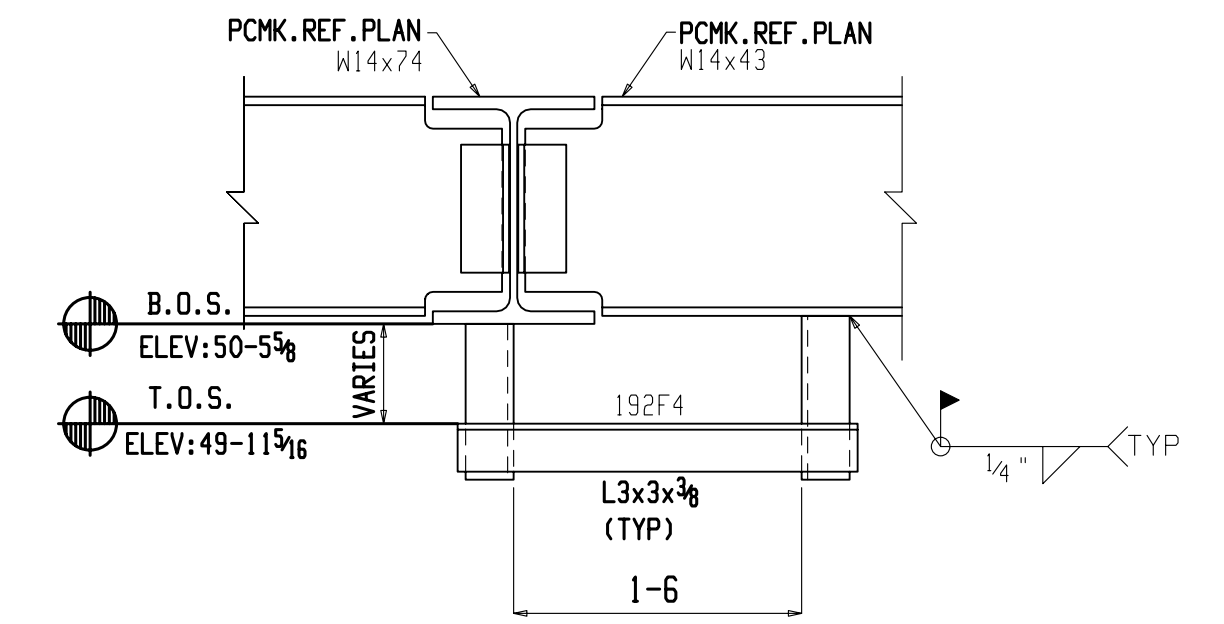
1 DETAIL-1  
E11 REF: 1/S29



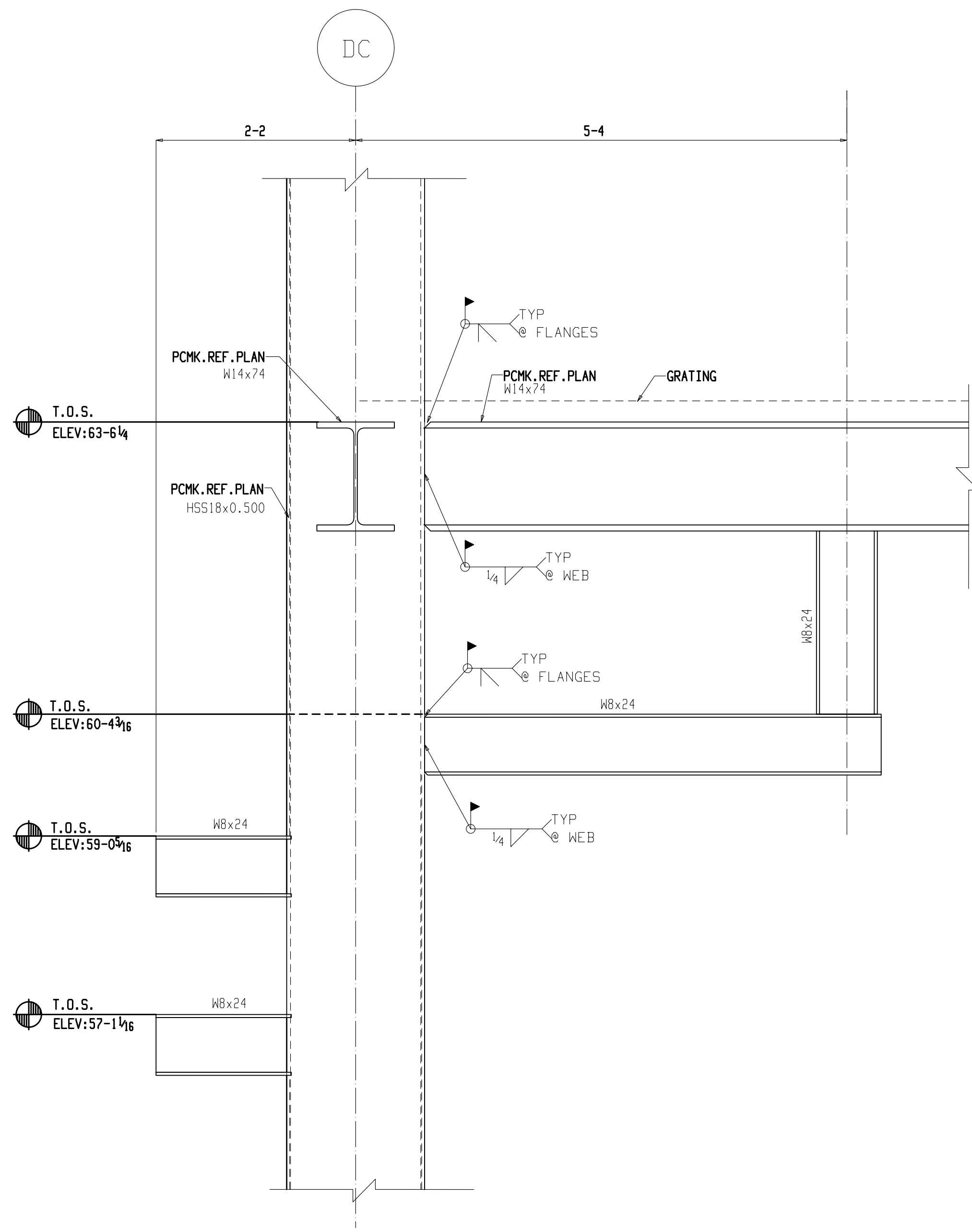
2 DETAIL-2  
E11 REF: 2/S29



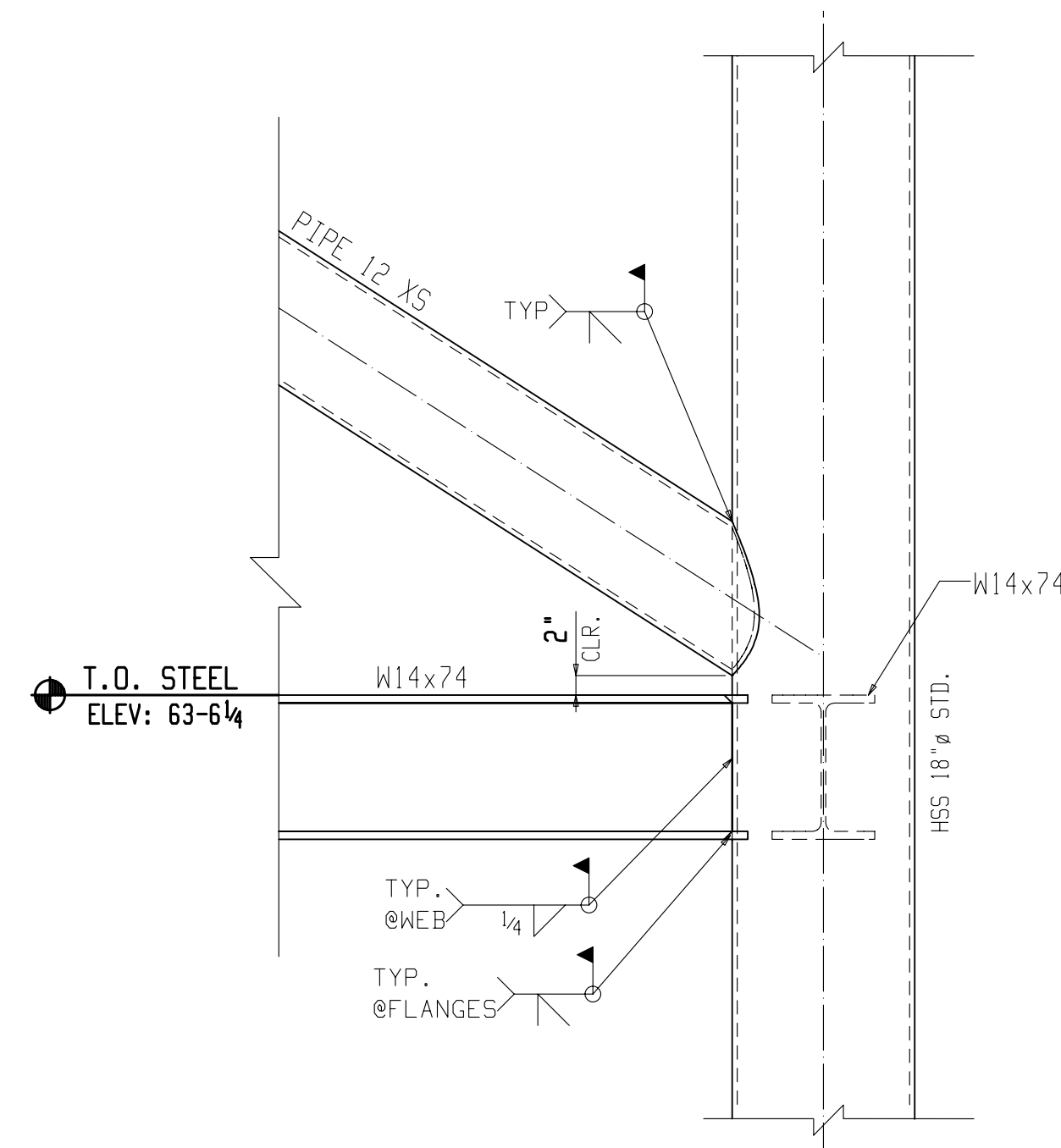
3 DETAIL-3  
E11 REF: 3/S29



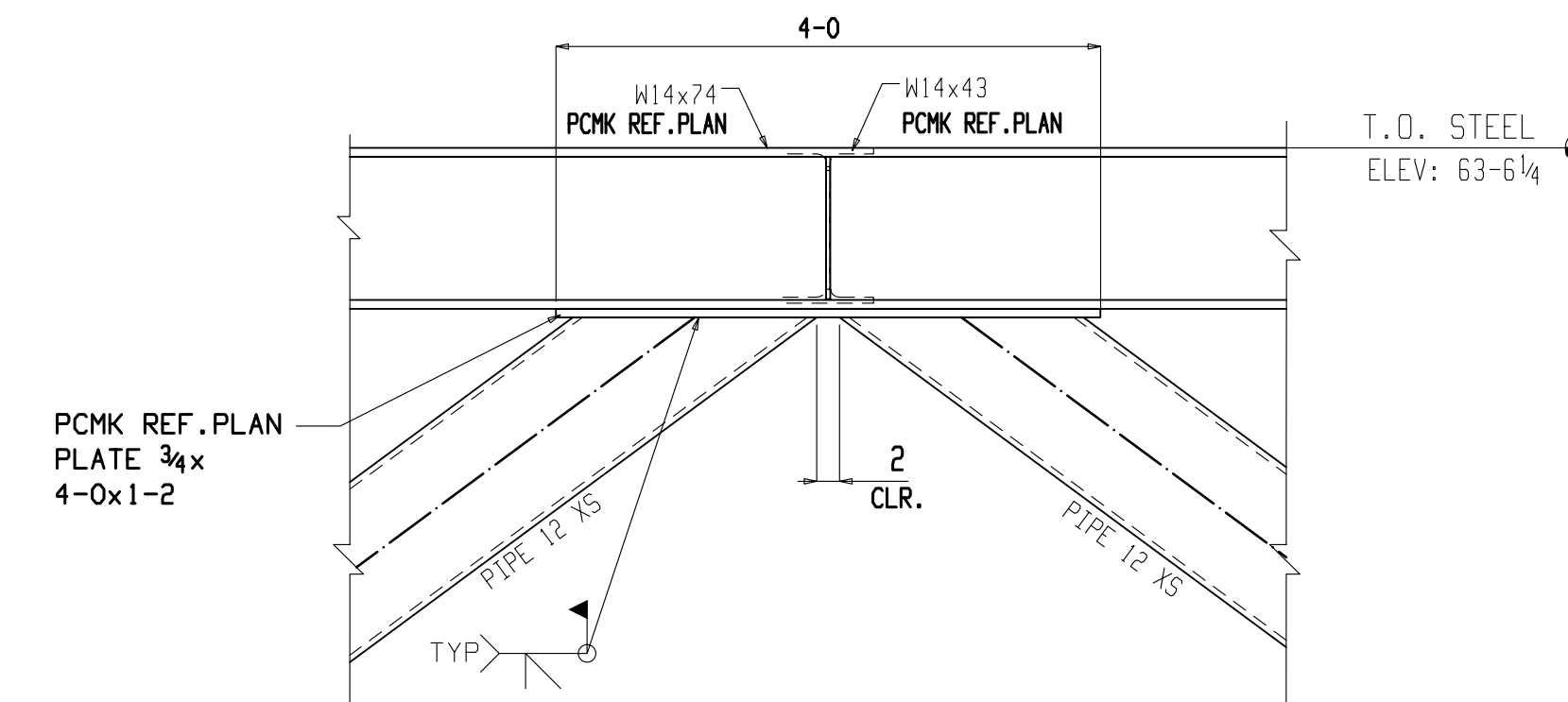
4 DETAIL-4  
E11 REF: 4/S29



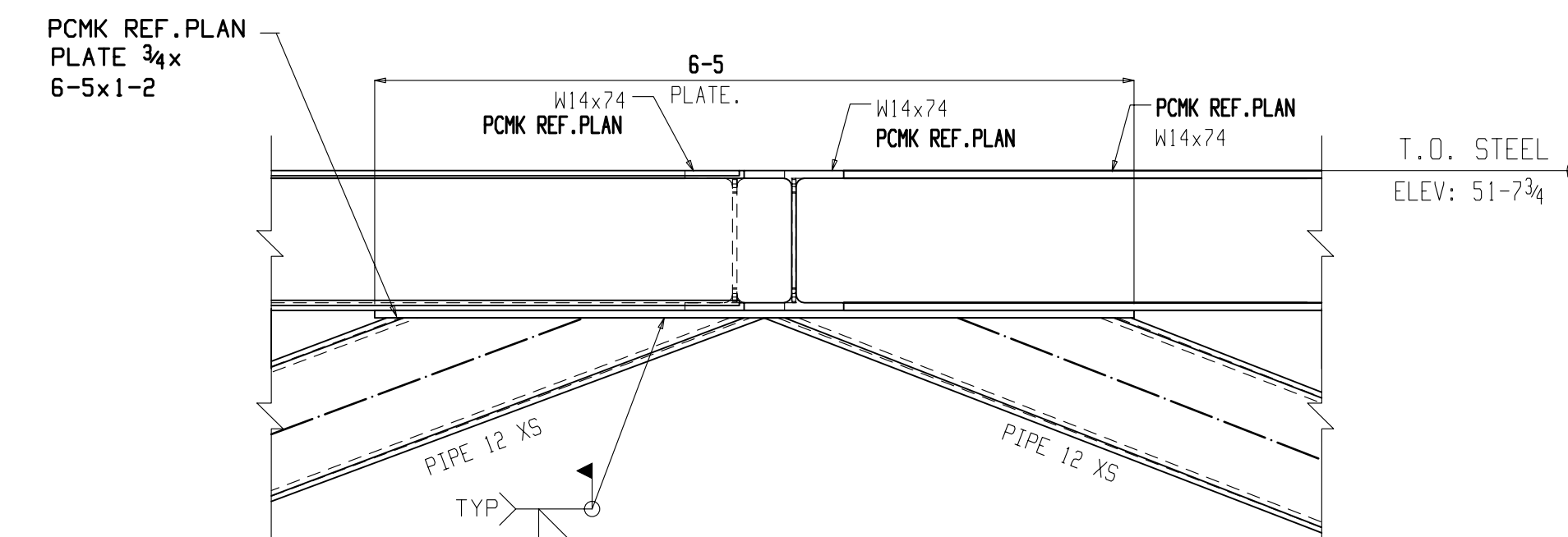
9 DETAIL  
E11 REF: 7/S29



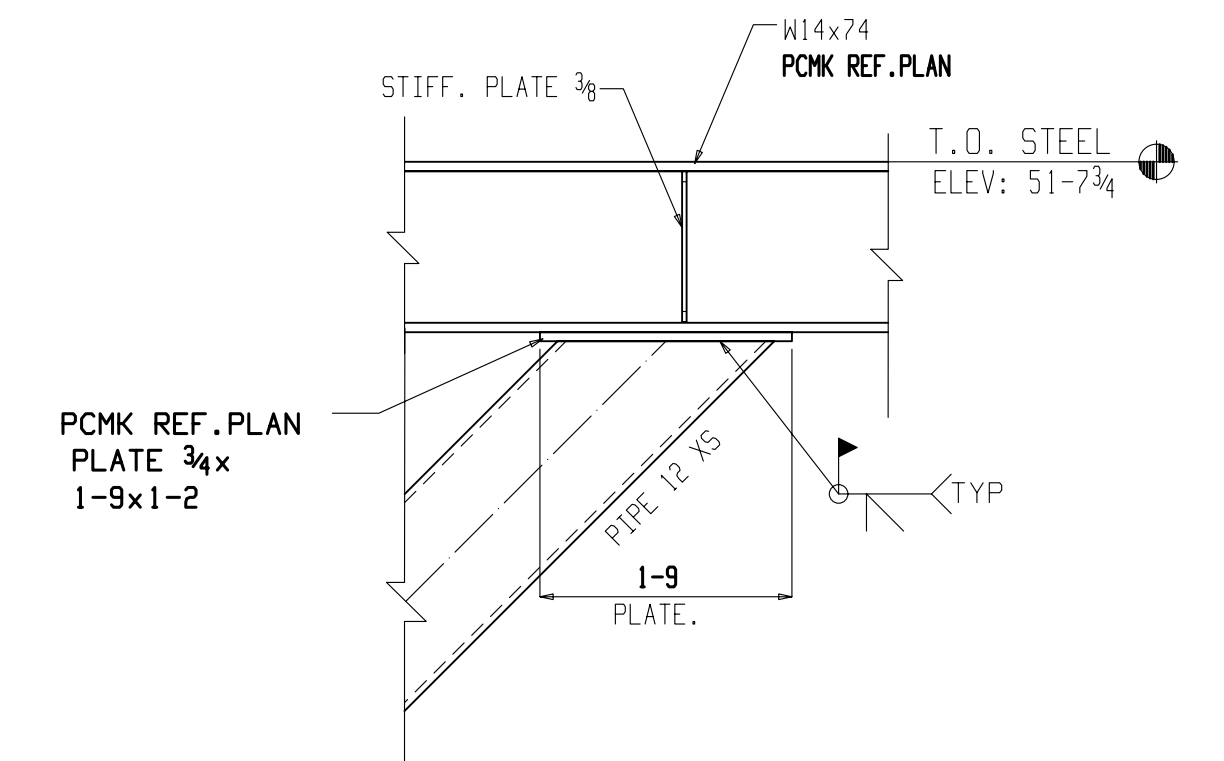
5 DETAIL  
E11 REF: 1/S28



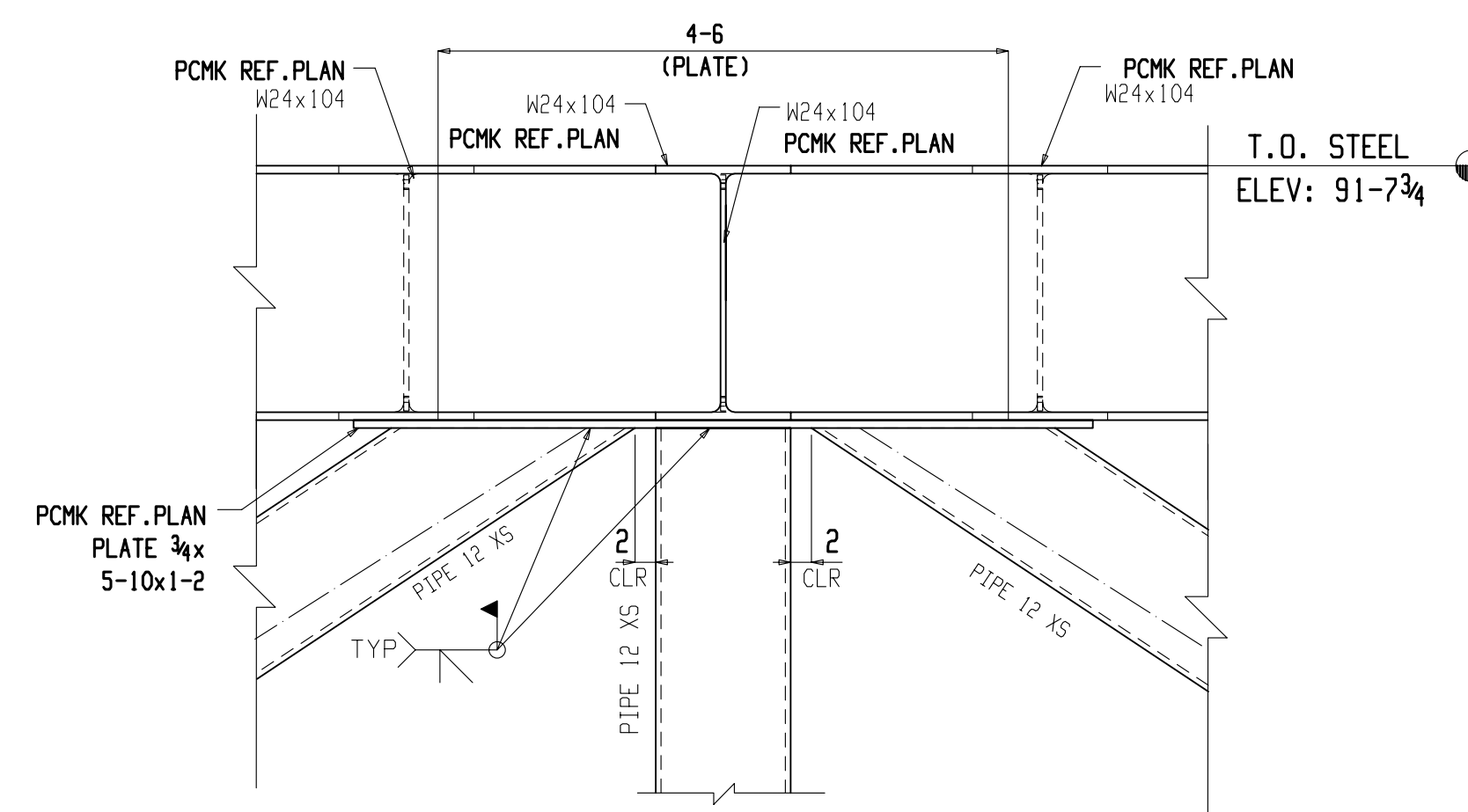
7 DETAIL  
E11 REF: 3/S28



8 DETAIL  
E11 REF: 4/S28



10 DETAIL  
E11 REF: 5/S28



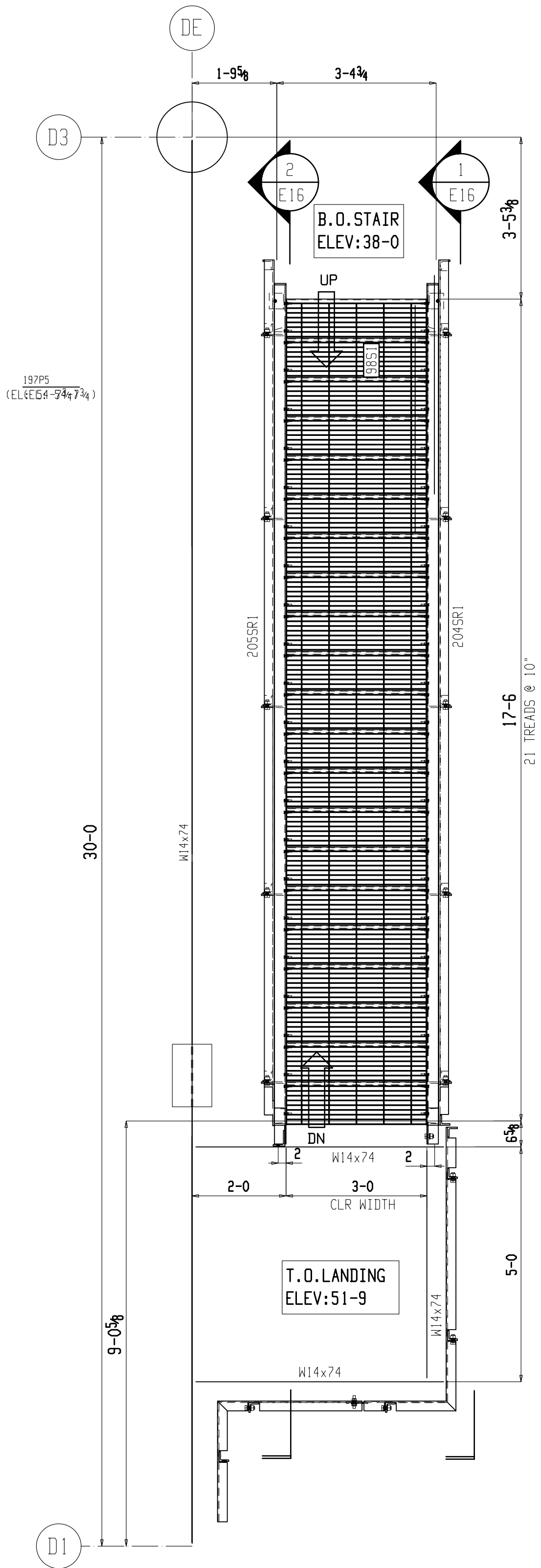
6 DETAIL  
E11 REF: 2/S28

**SAMPLE DRAWING  
FOR INDUSTRIAL**

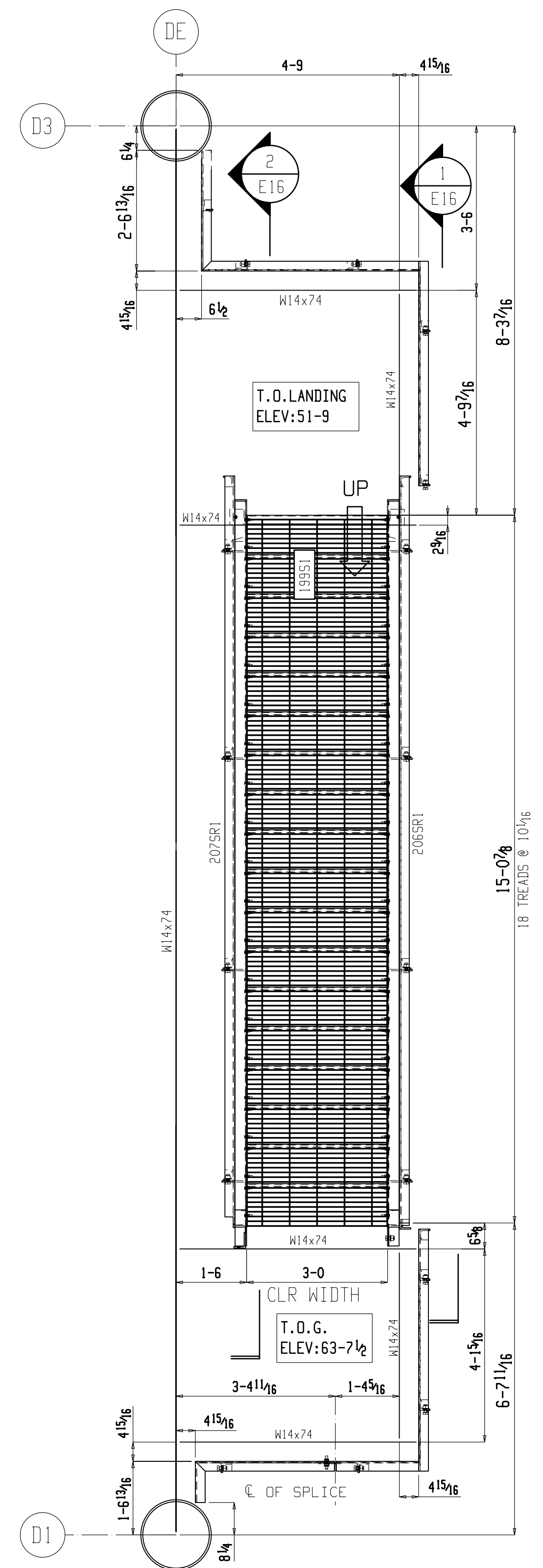




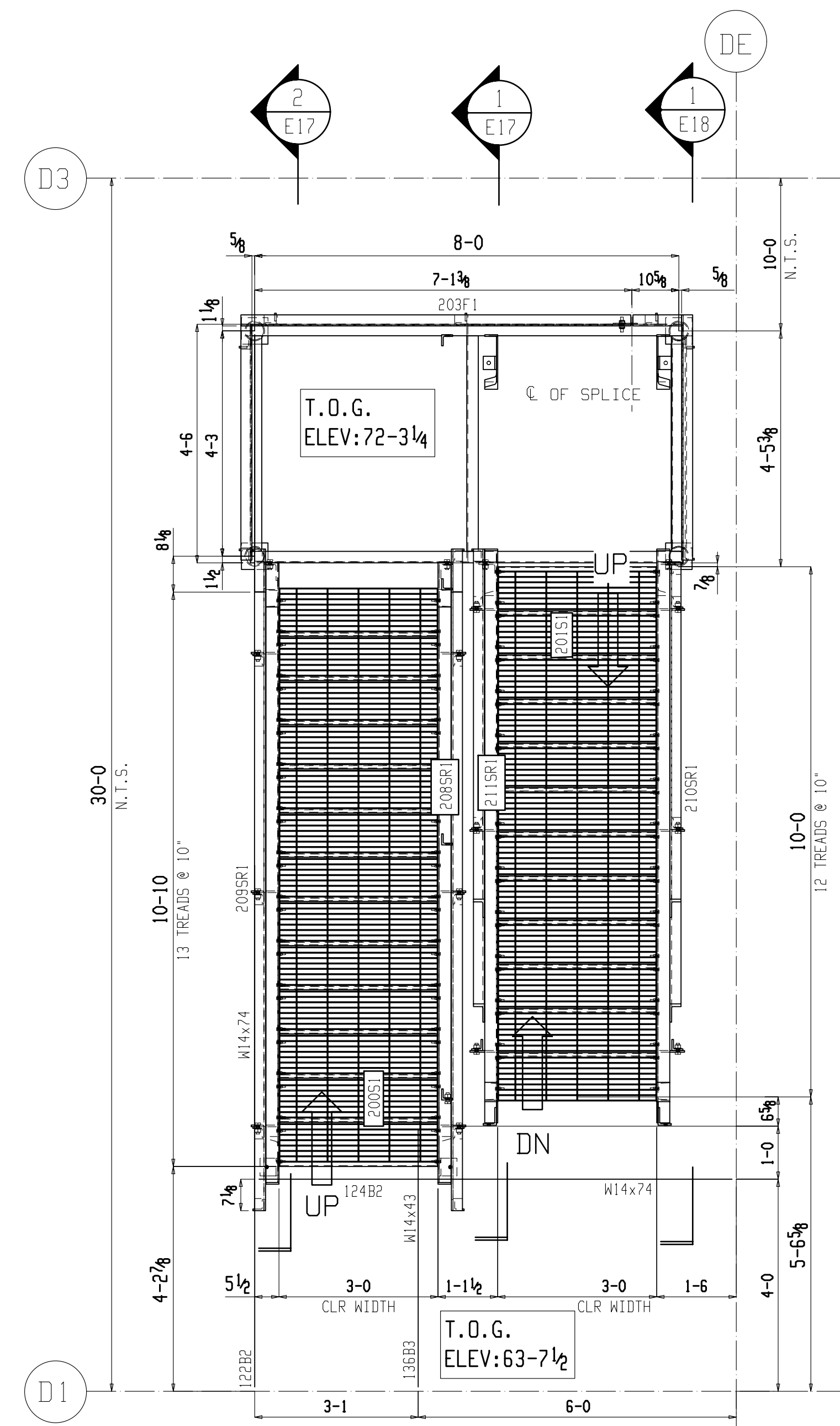




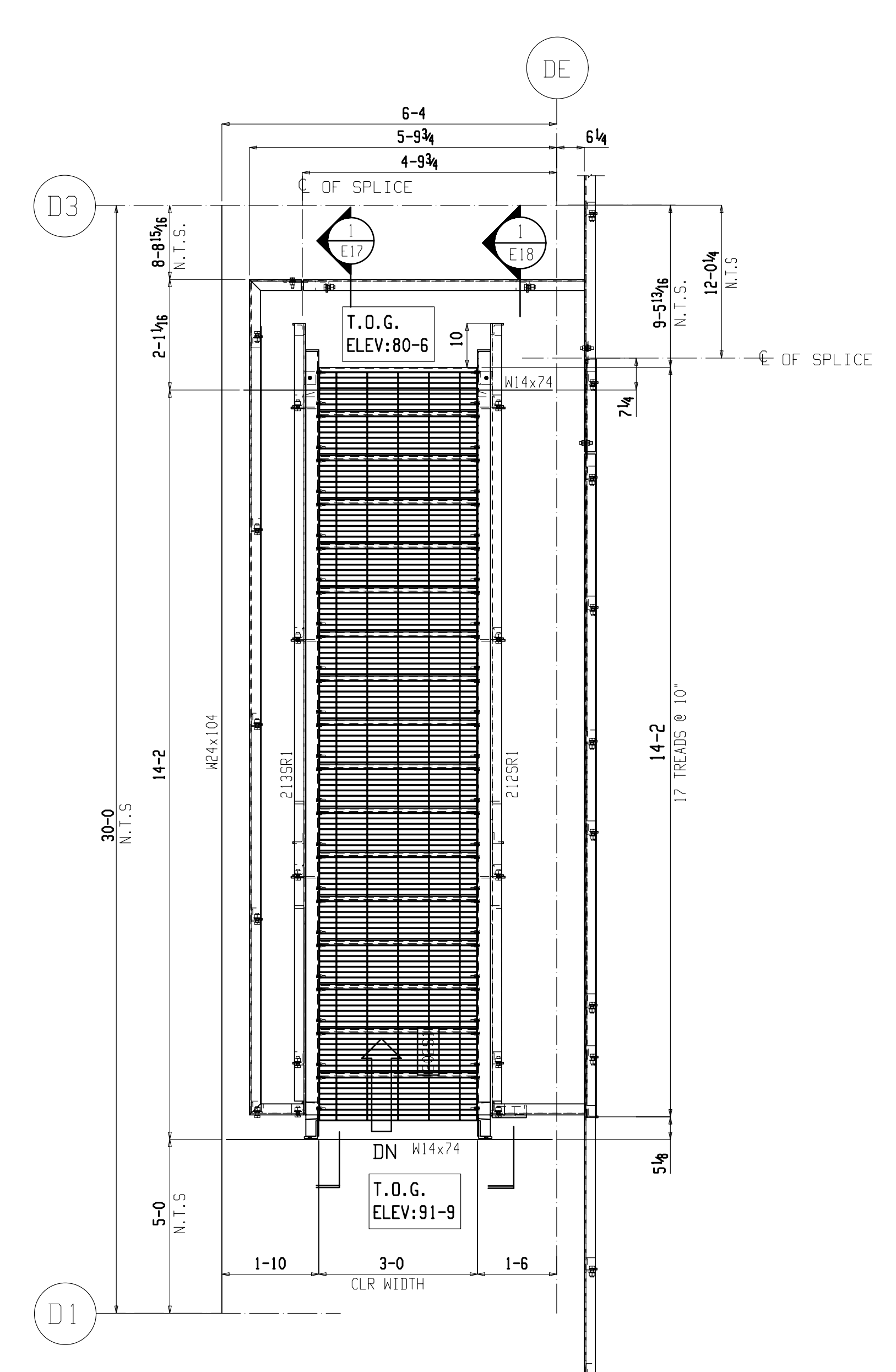
EAST STAIR PLAN VIEW-1  
ELEVATION: 38-0 (U.N.O)



EAST STAIR PLAN VIEW 2  
ELEVATION: 51-7 3/4 (U.N.O)

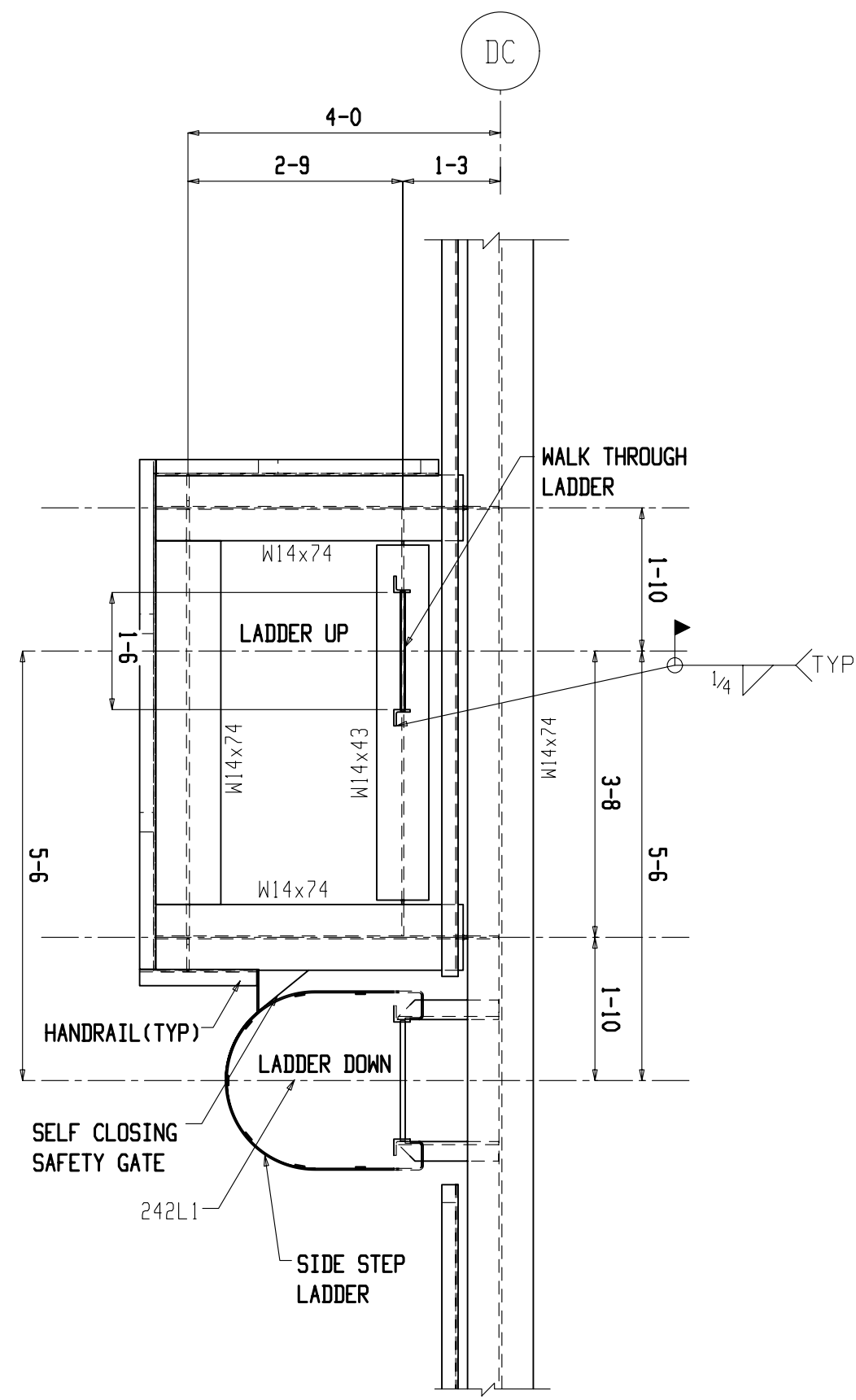


EAST STAIR PLAN VIEW 3  
ELEVATION: 72-0 (U.N.O)

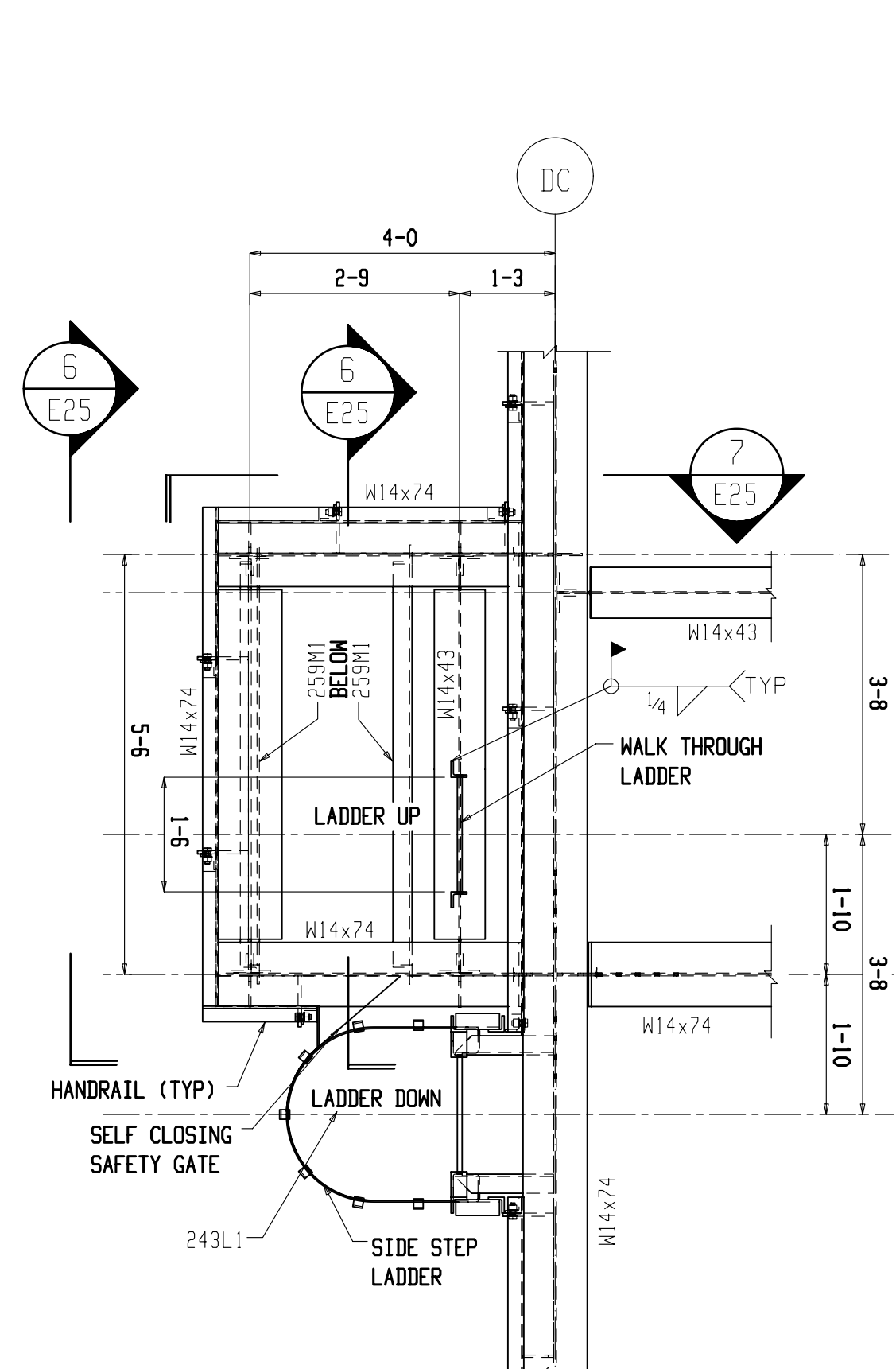


EAST STAIR PLAN VIEW 4  
ELEVATION: 80-4 3/4 (U.N.O)

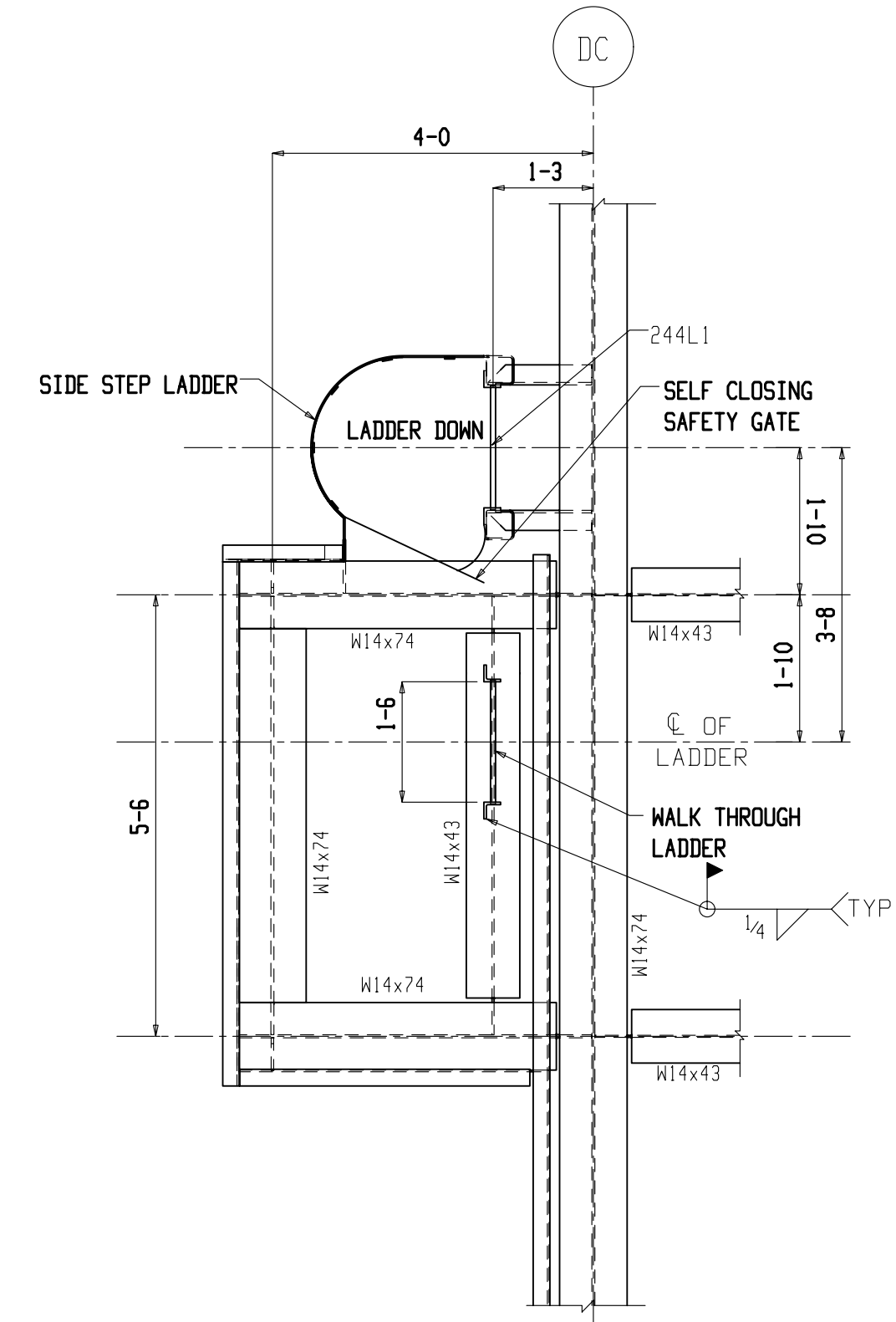
**SAMPLE DRAWING  
FOR INDUSTRIAL**



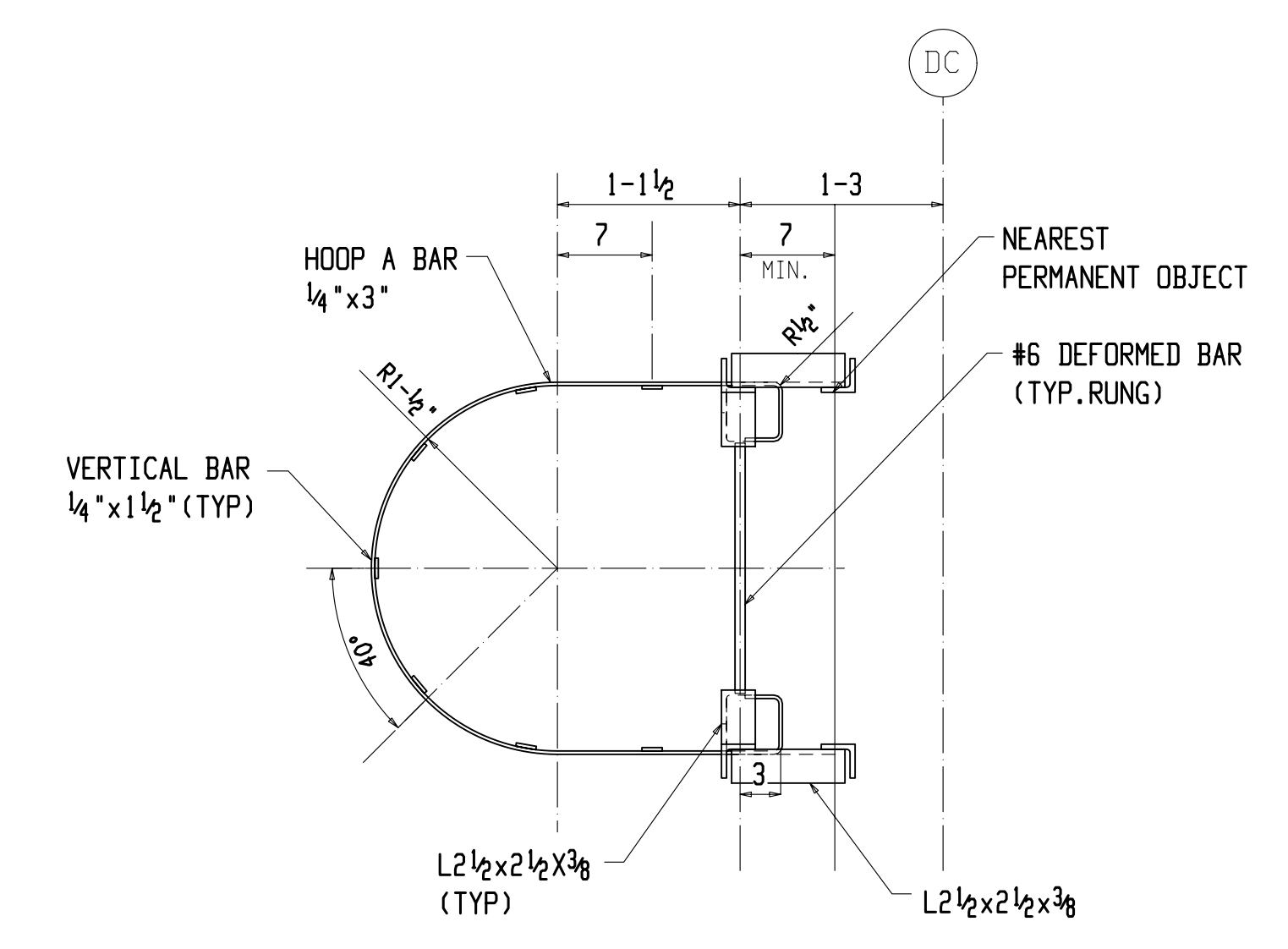
LADDER LANDING PLAN @ EL (+) 51-7<sup>3</sup>/<sub>4</sub>"  
ELEVATION: 51-7<sup>3</sup>/<sub>4</sub> (U.N.O.)



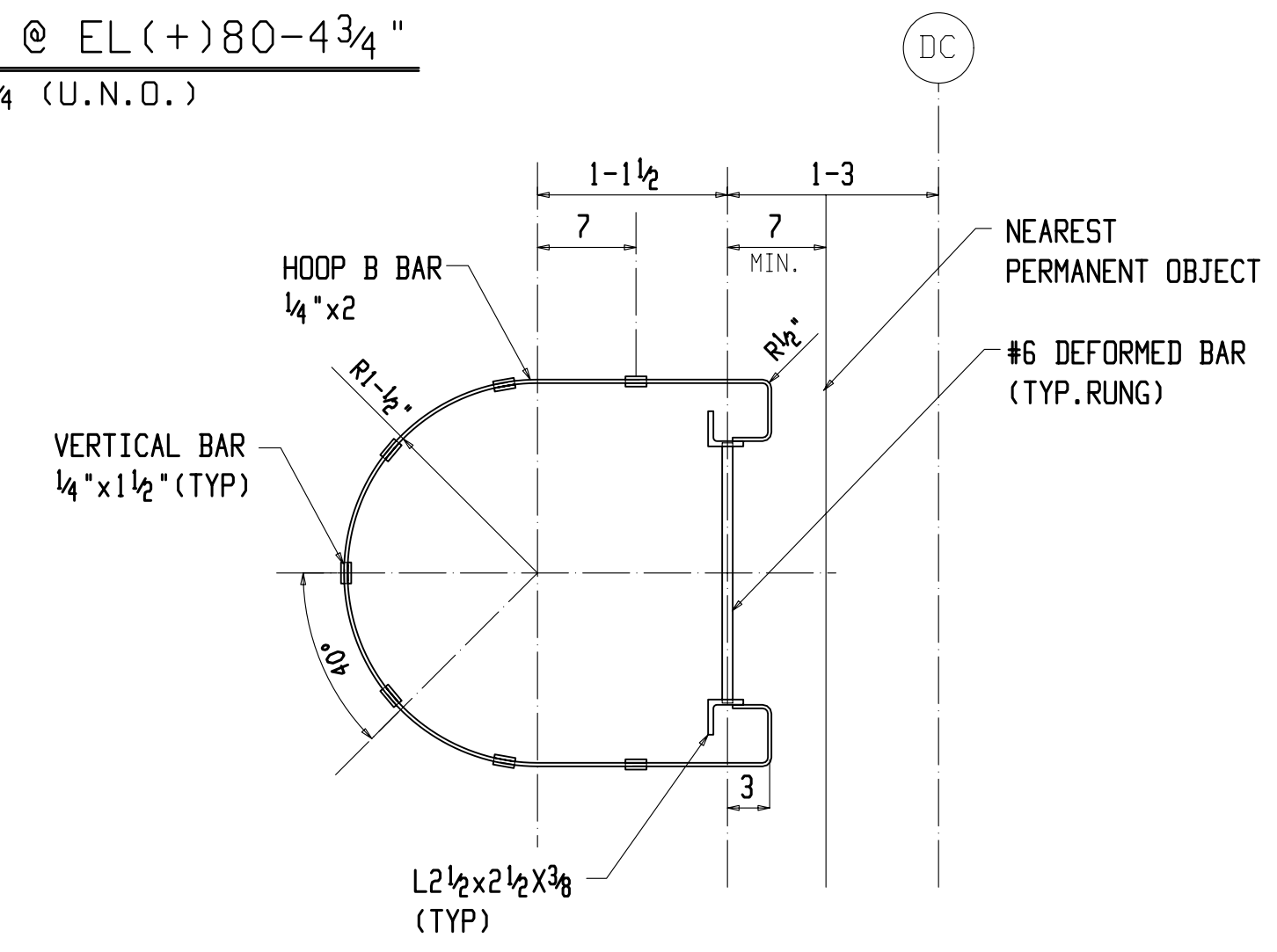
LADDER LANDING PLAN @ EL (+) 63-6<sup>1</sup>/<sub>4</sub>"  
ELEVATION: 63-6<sup>1</sup>/<sub>4</sub> (U.N.O.)



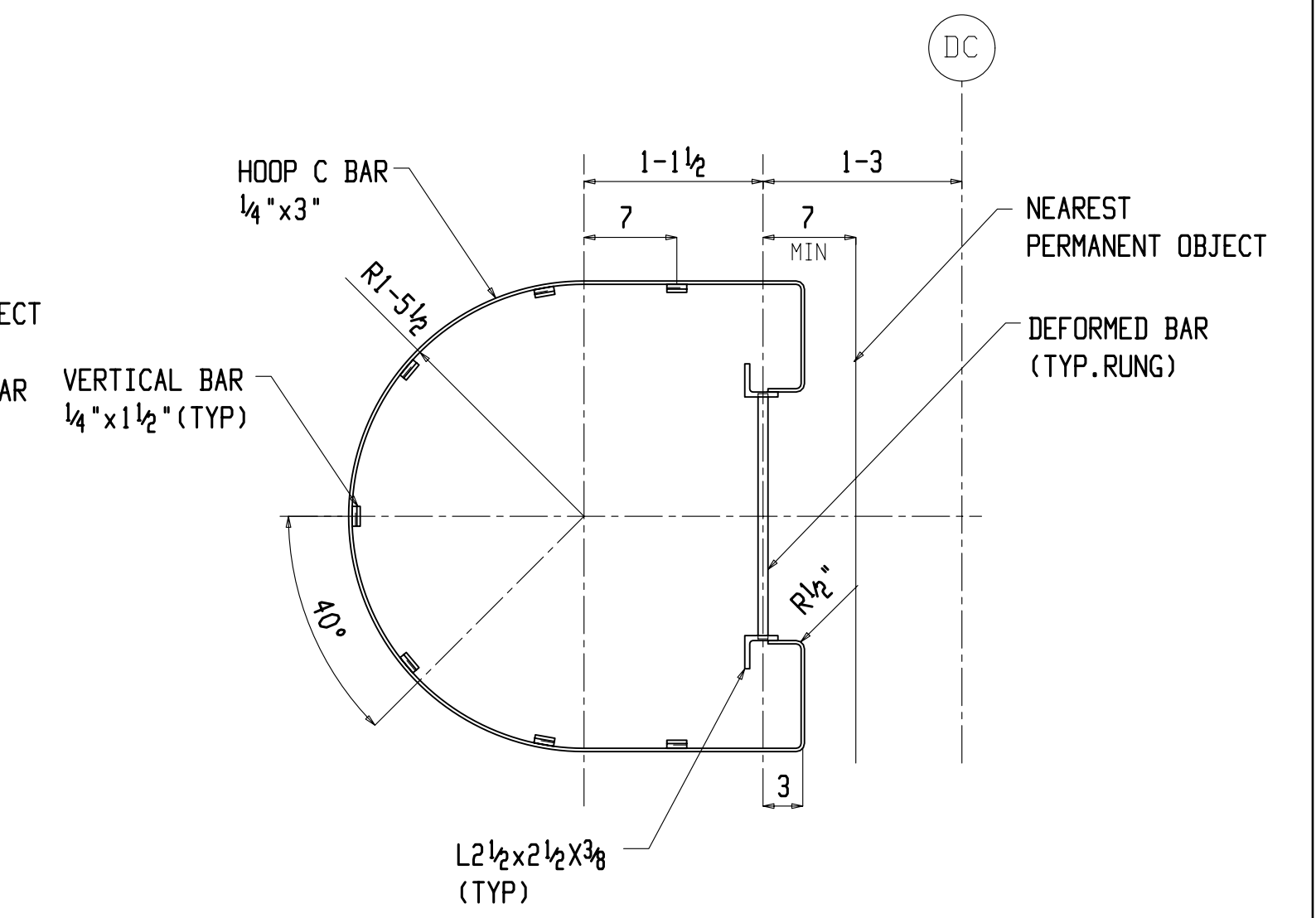
LADDER LANDING PLAN @ EL (+) 80-4<sup>3</sup>/<sub>4</sub>"  
ELEVATION: 80-4<sup>3</sup>/<sub>4</sub> (U.N.O.)



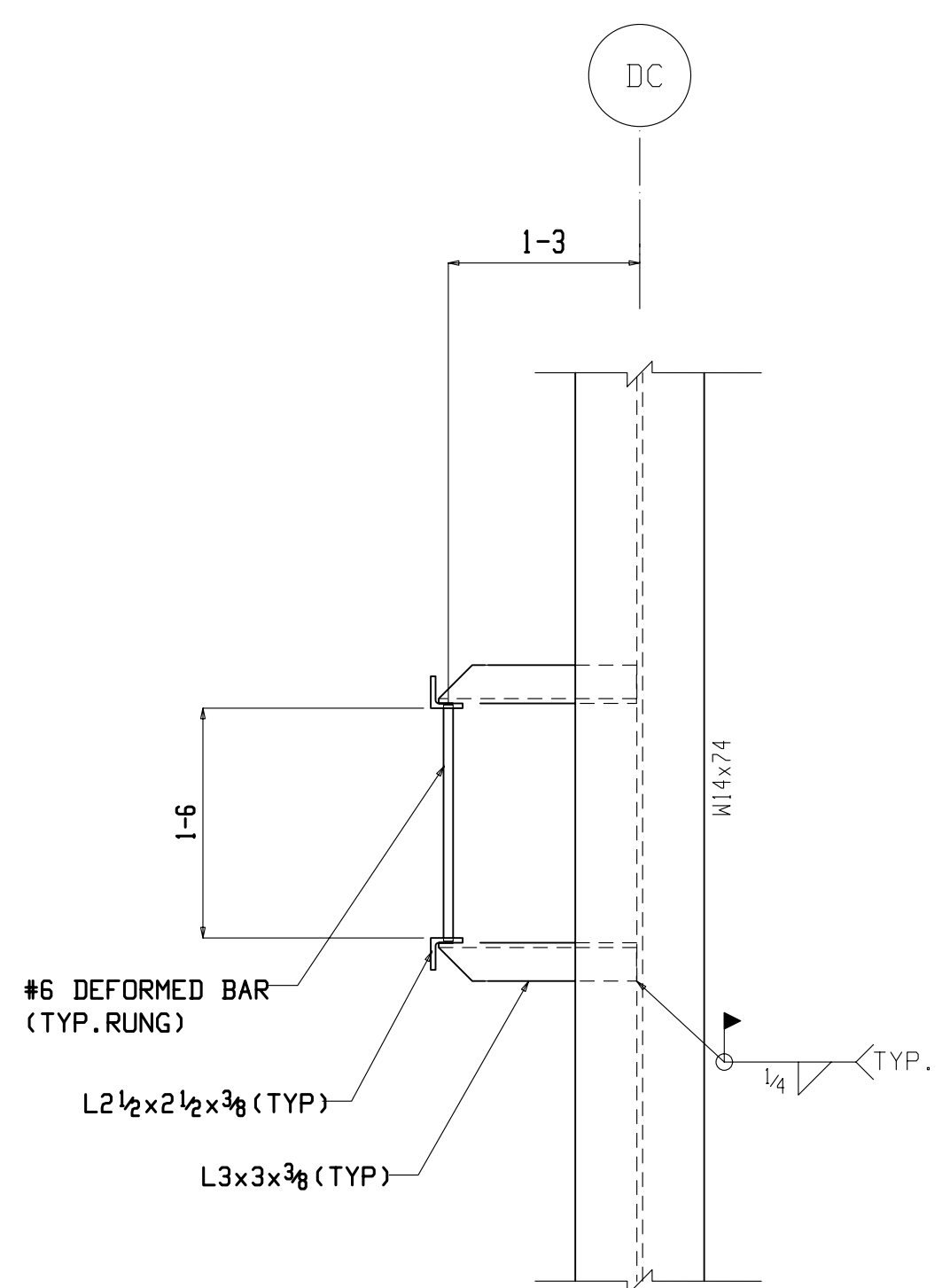
HOOP A PLAN  
ELEVATION: 51-8<sup>1</sup>/<sub>2</sub> (U.N.O.)



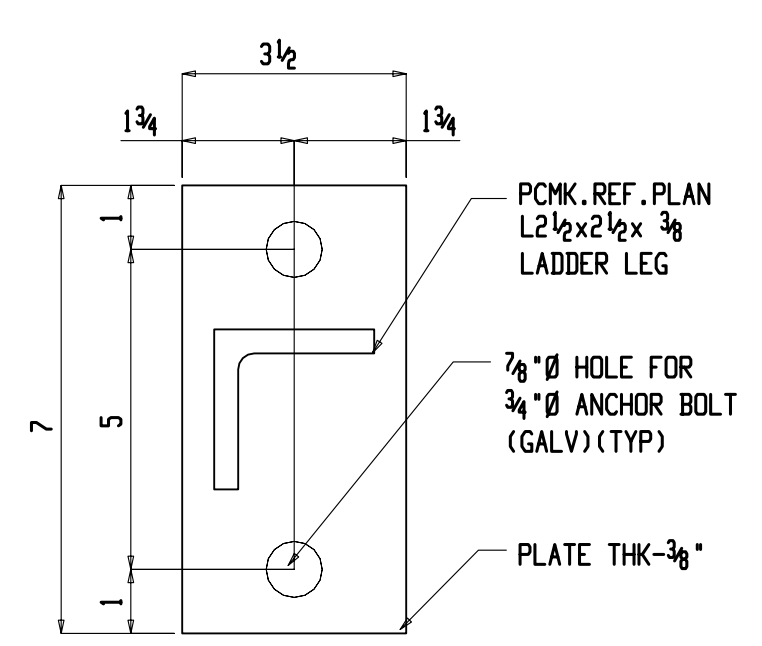
HOOP B PLAN  
ELEVATION: 48-2<sup>1</sup>/<sub>2</sub> (U.N.O.)



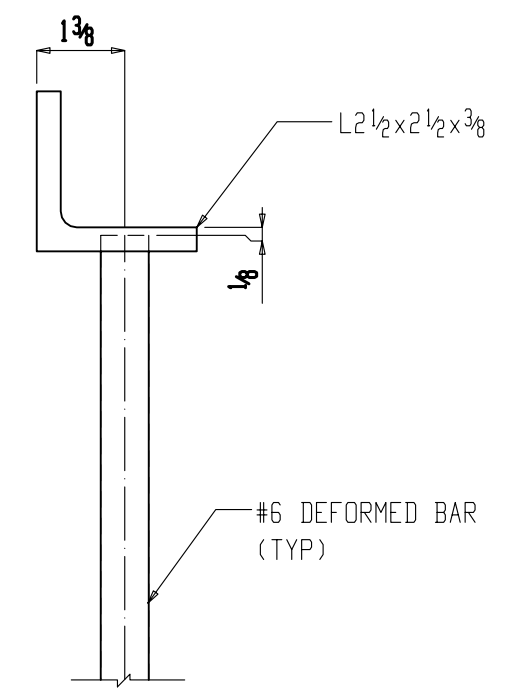
HOOP C PLAN  
ELEVATION: 45-3 (U.N.O.)



TYPICAL LADDER SUPPORT DETAIL

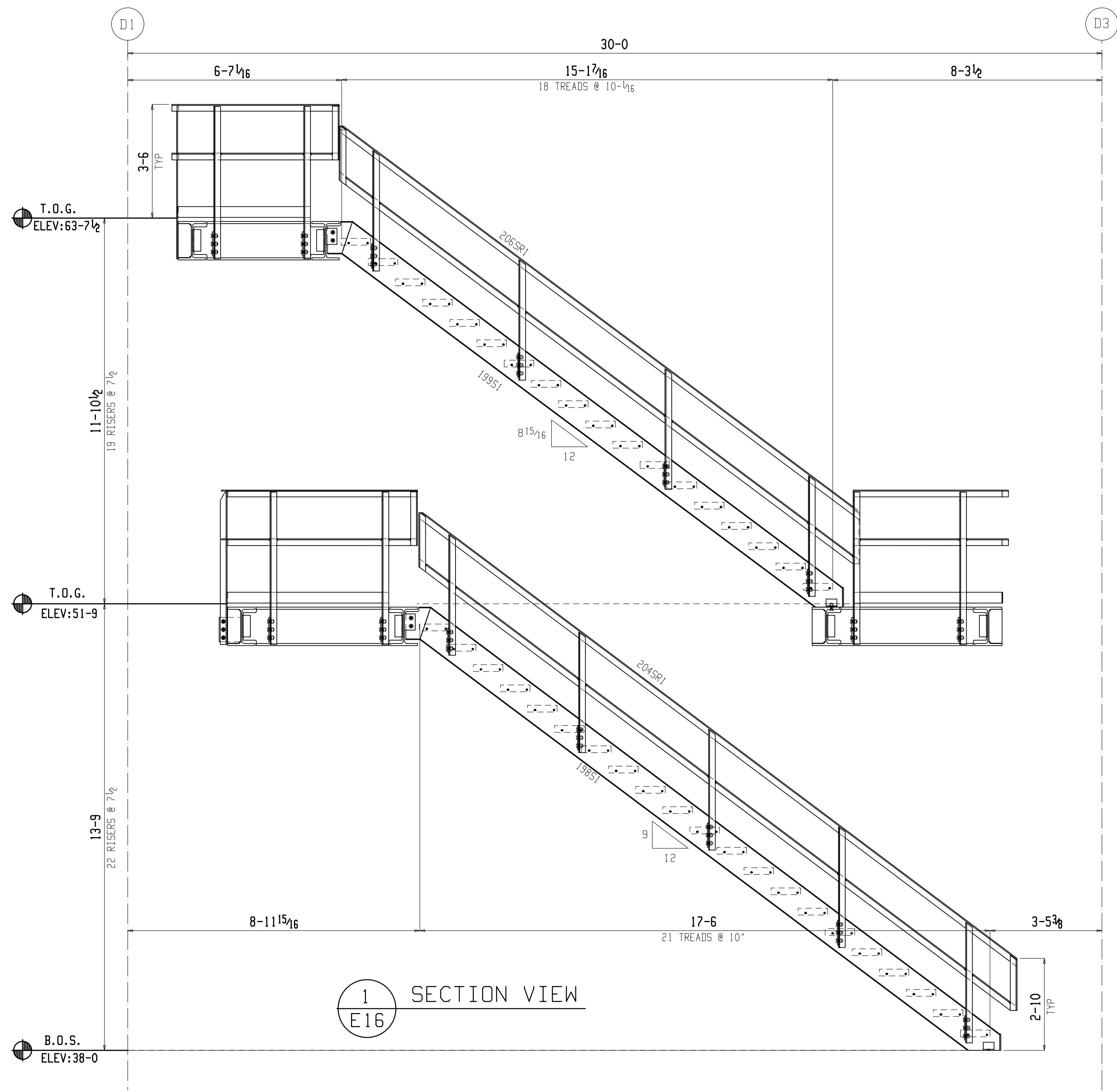


TYPICAL LADDER BASEPLATE DETAIL

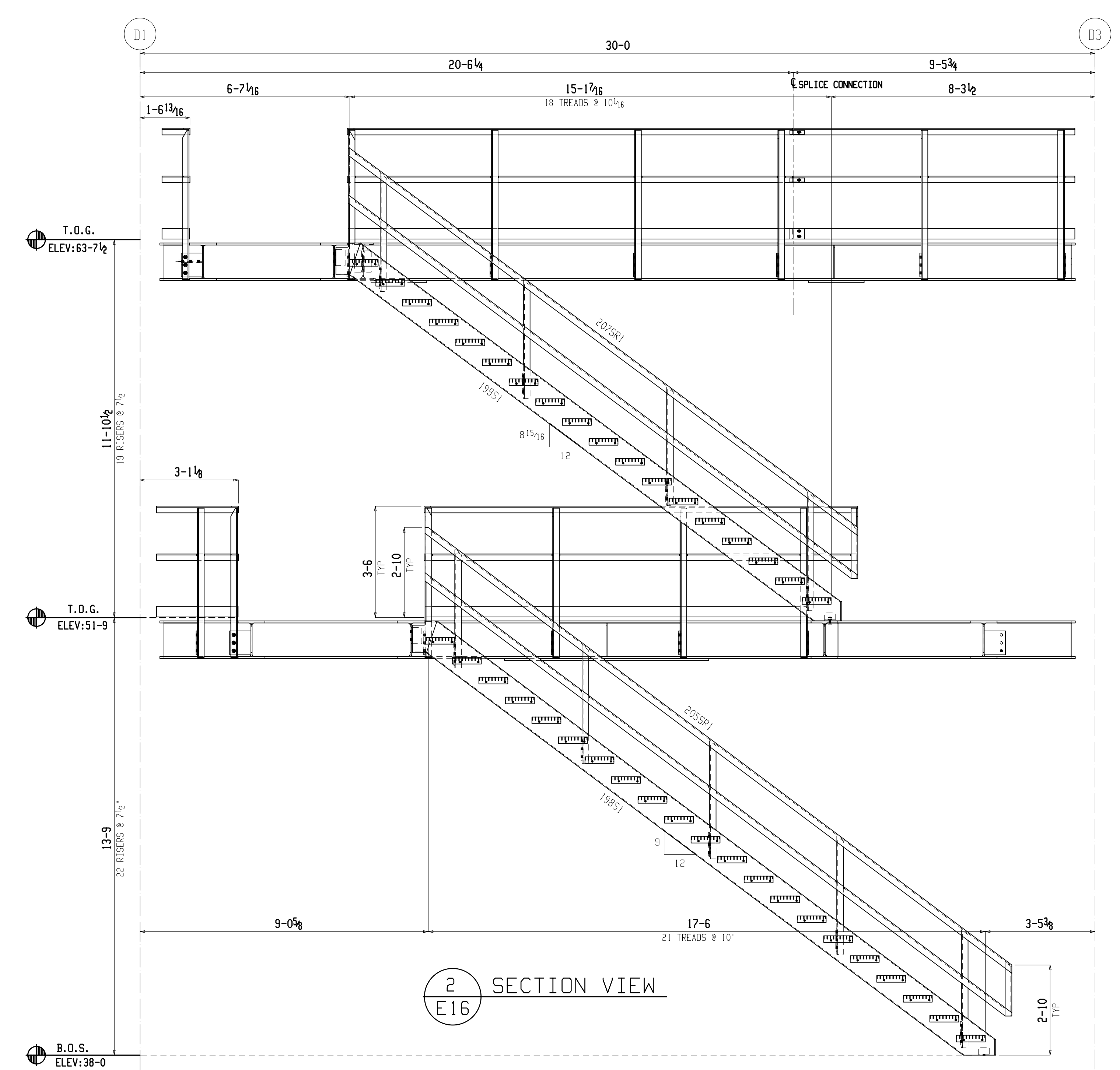


TYPICAL LADDER RUNG DETAIL

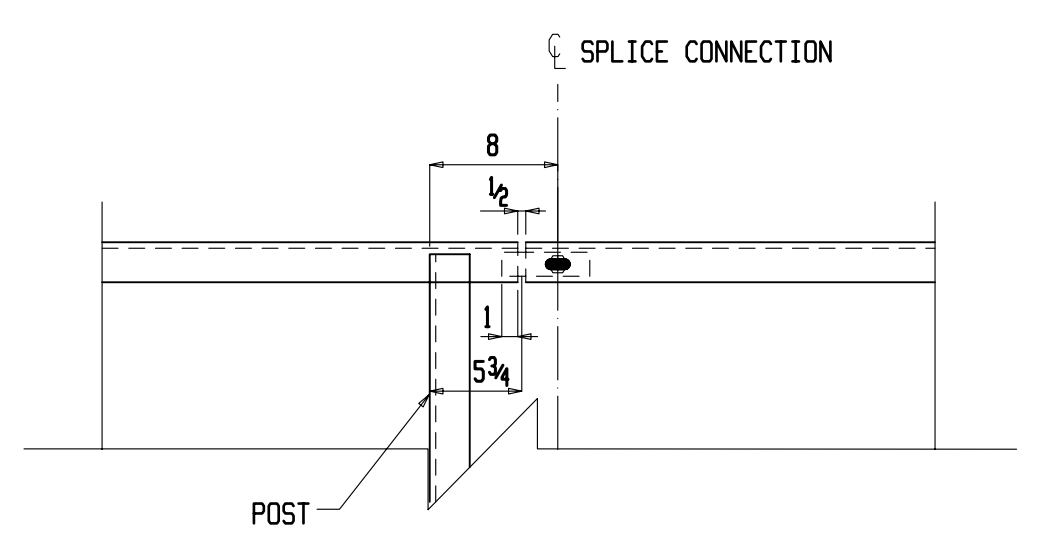
**SAMPLE DRAWING  
FOR INDUSTRIAL**



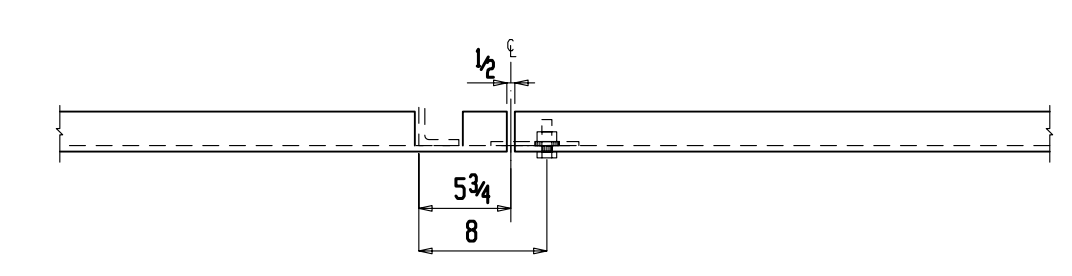
1 SECTION VIEW  
E16



2 SECTION VIEW  
E16

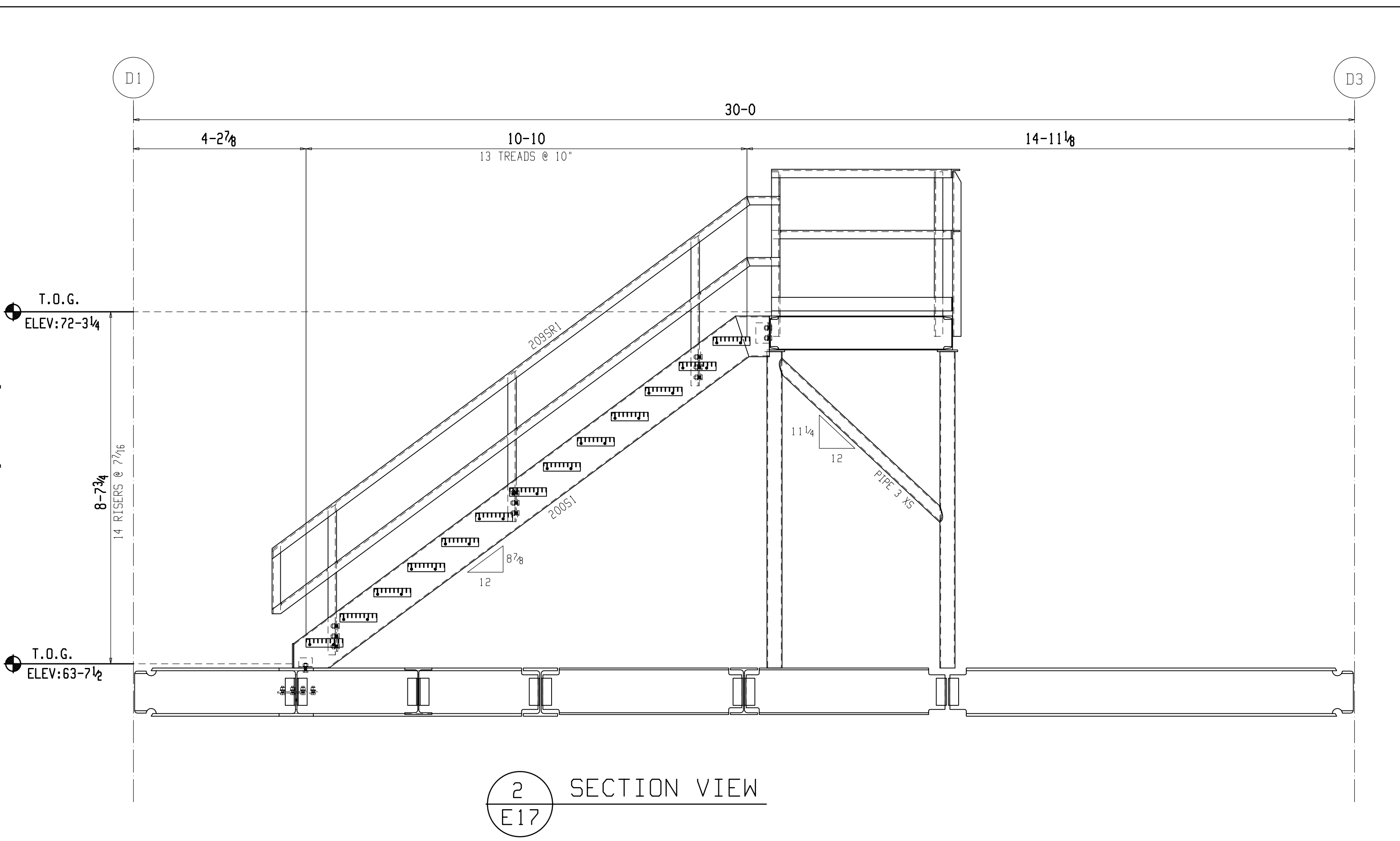
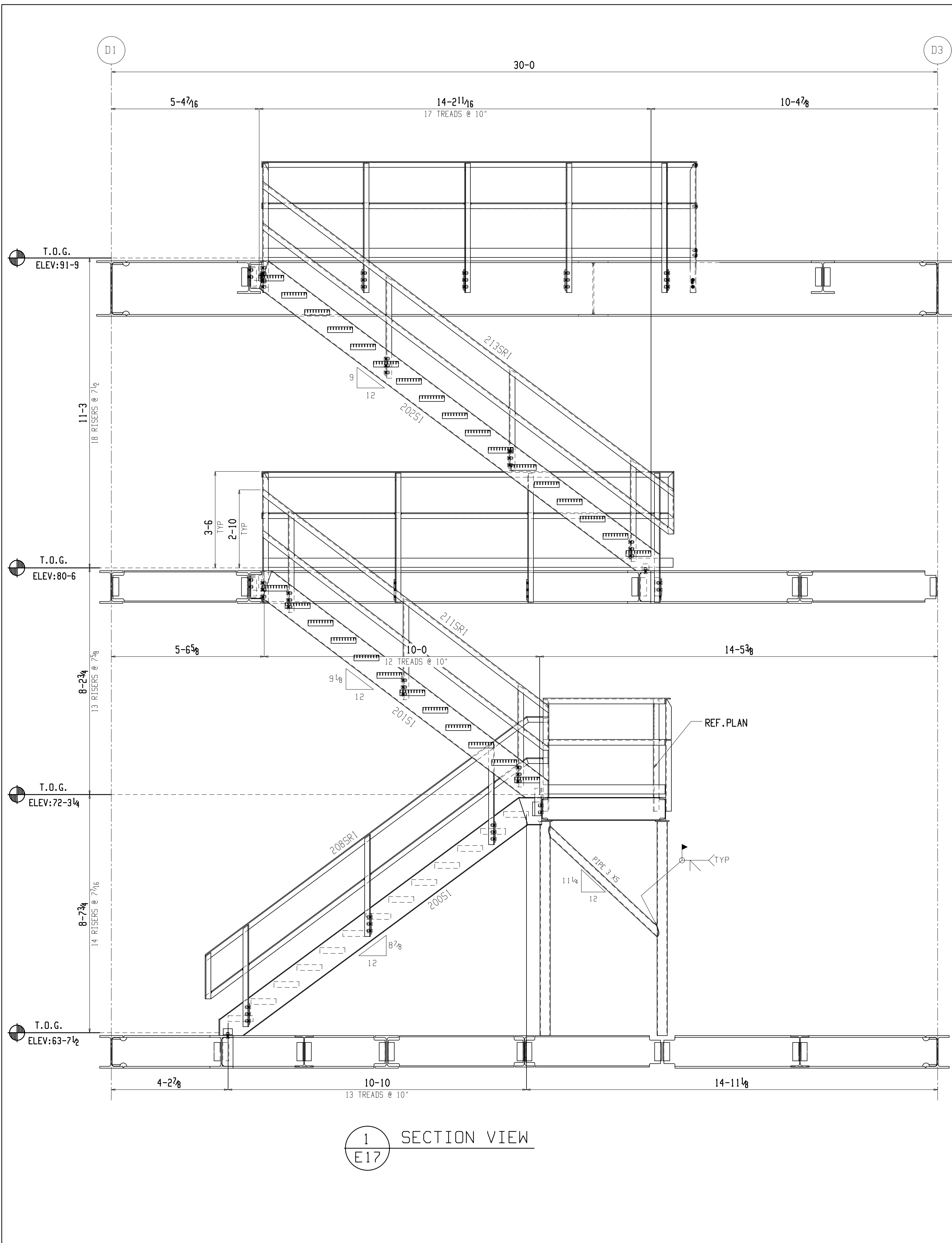


TYPICAL SPLICE CONNECTION

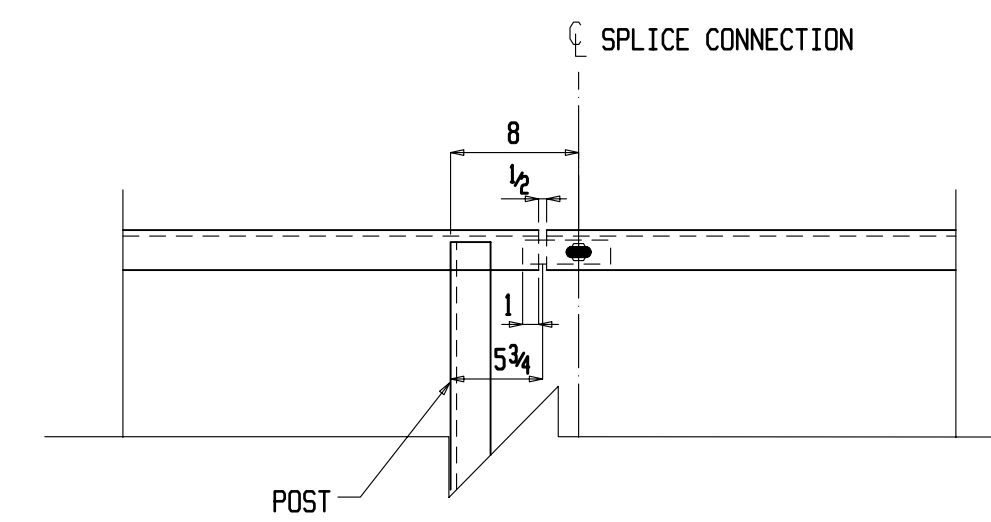
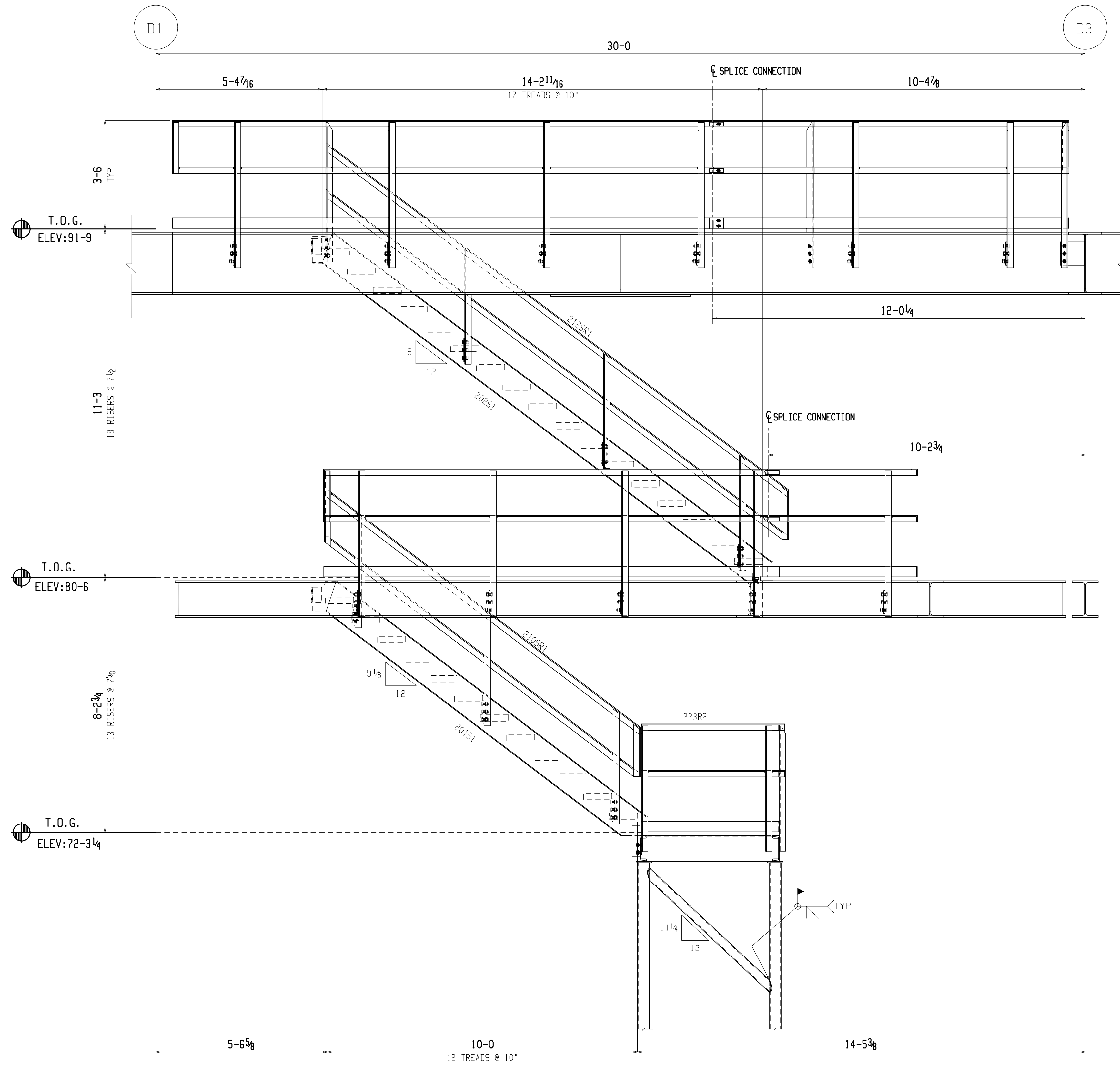


TYPICAL SPLICE CONNECTION PLAN

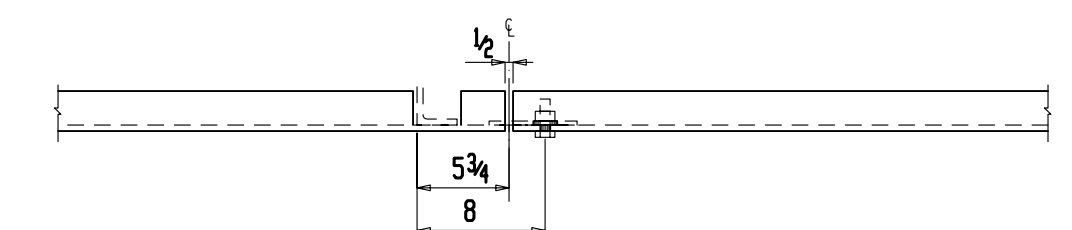
**SAMPLE DRAWING  
FOR INDUSTRIAL**



**SAMPLE DRAWING  
FOR INDUSTRIAL**



TYPICAL SPLICE CONNECTION

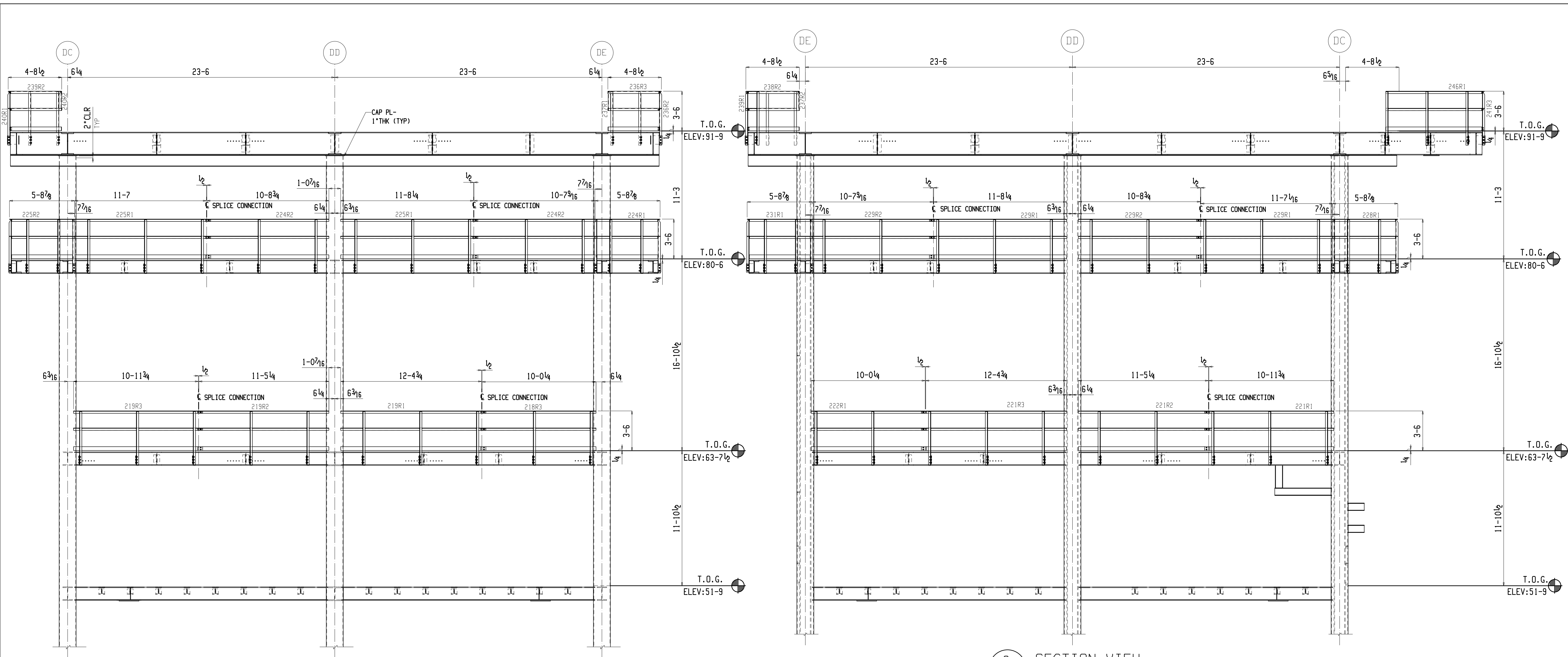


TYPICAL SPLICE CONNECTION PLAN

1 SECTION VIEW  
E18 REF: 8/55.2

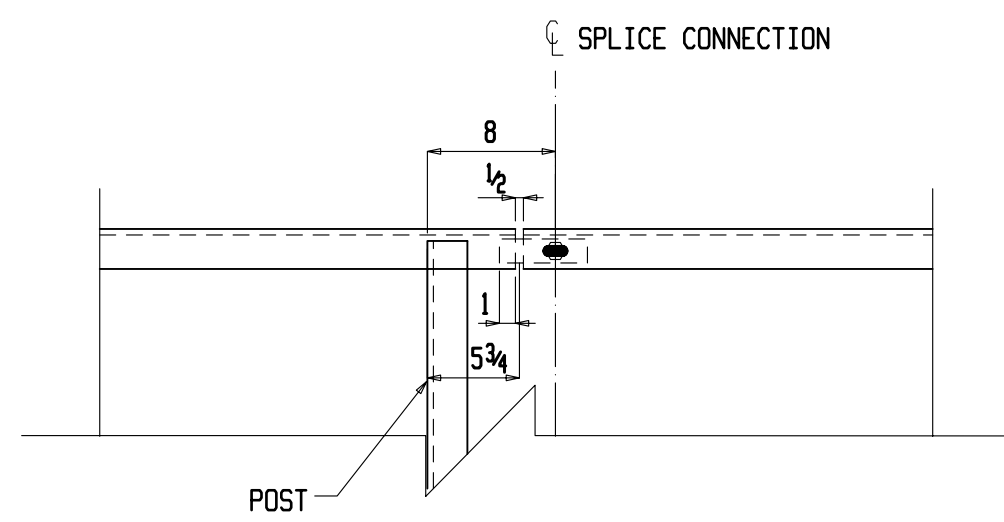
**SAMPLE DRAWING  
FOR INDUSTRIAL**



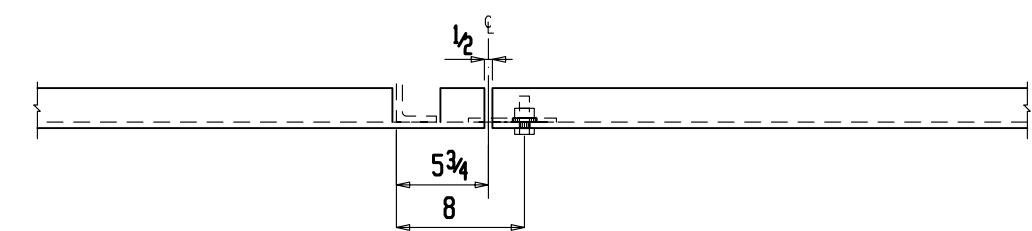


1 SECTION VIEW  
E19

2 SECTION VIEW  
E19

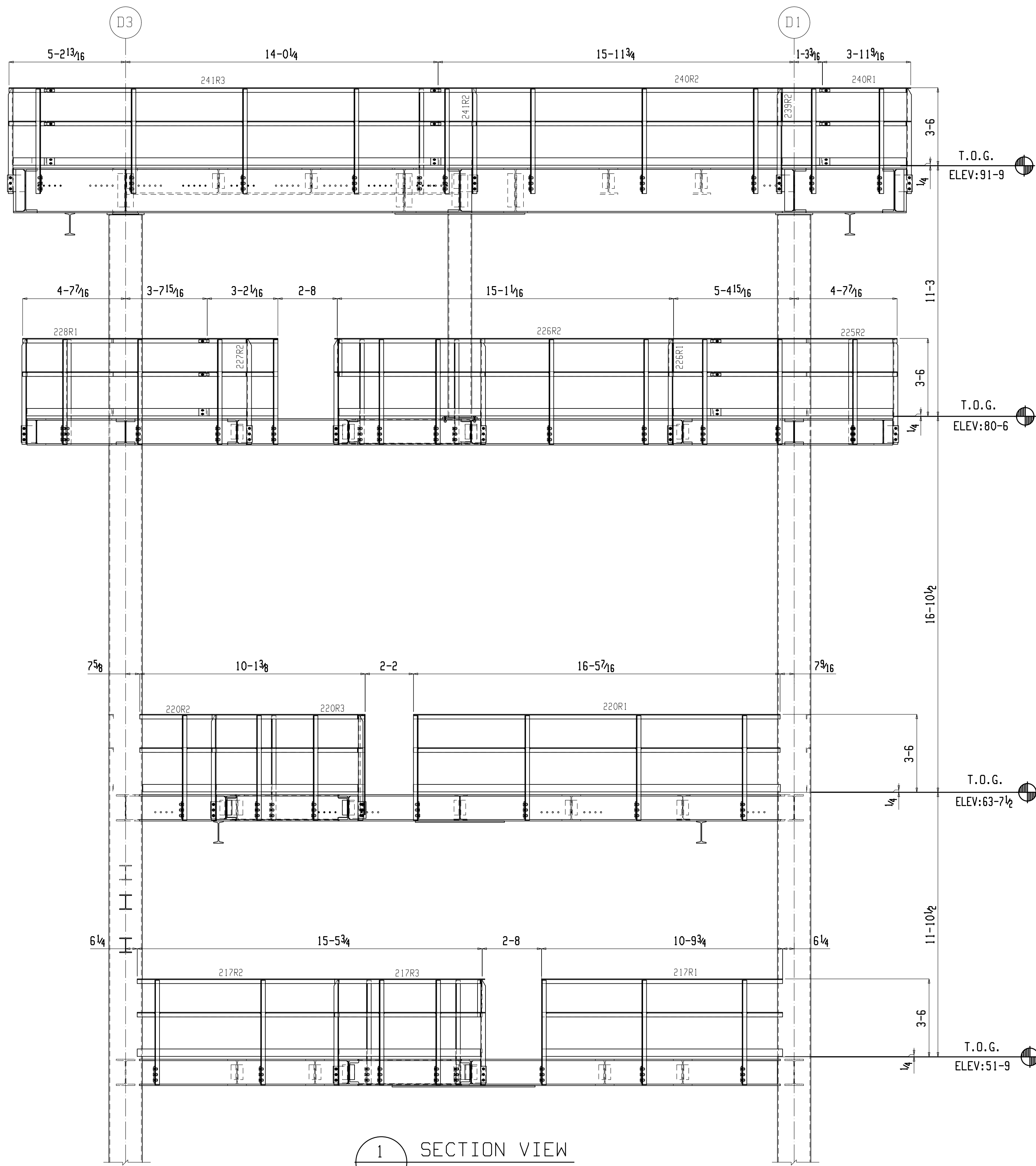


TYPICAL SPLICE CONNECTION

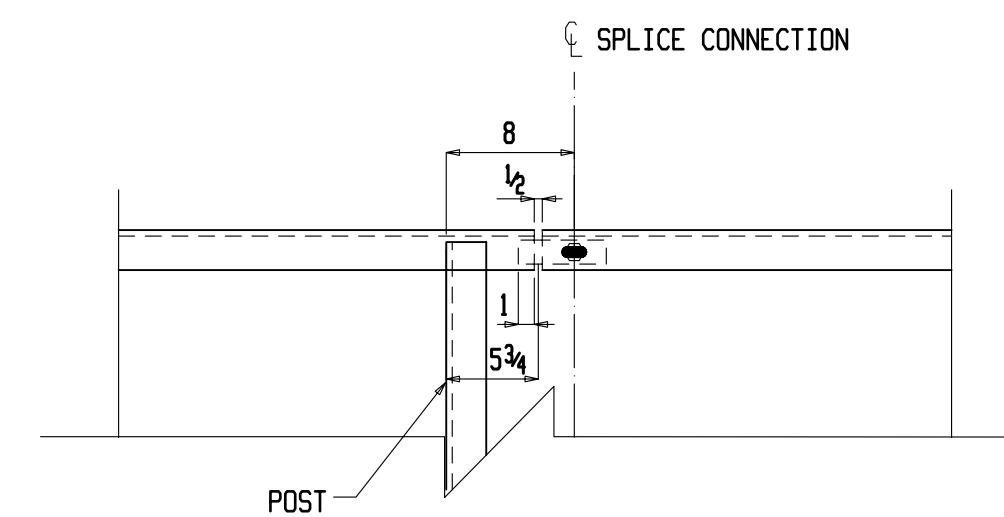
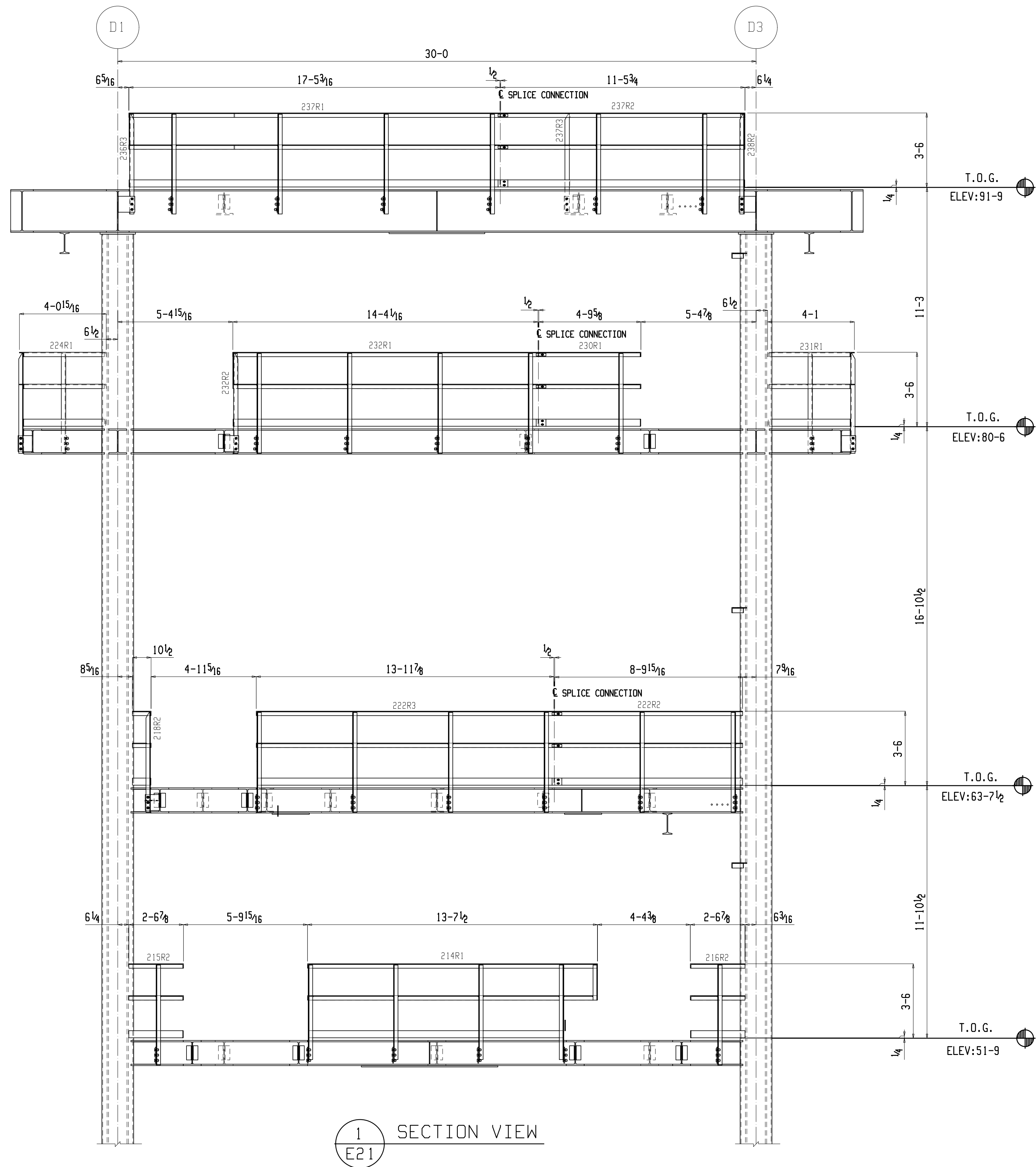


TYPICAL SPLICE CONNECTION PLAN

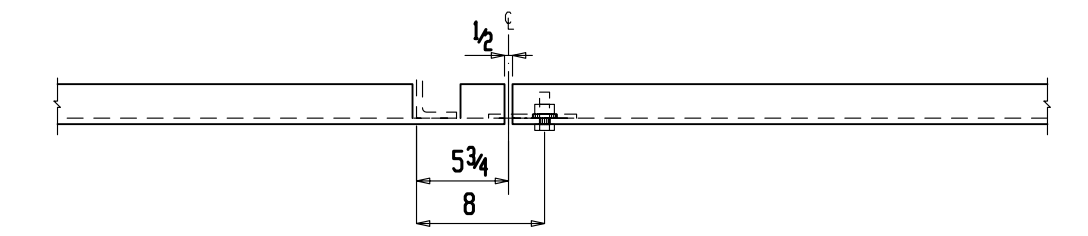
**SAMPLE DRAWING  
FOR INDUSTRIAL**



**SAMPLE DRAWING  
FOR INDUSTRIAL**

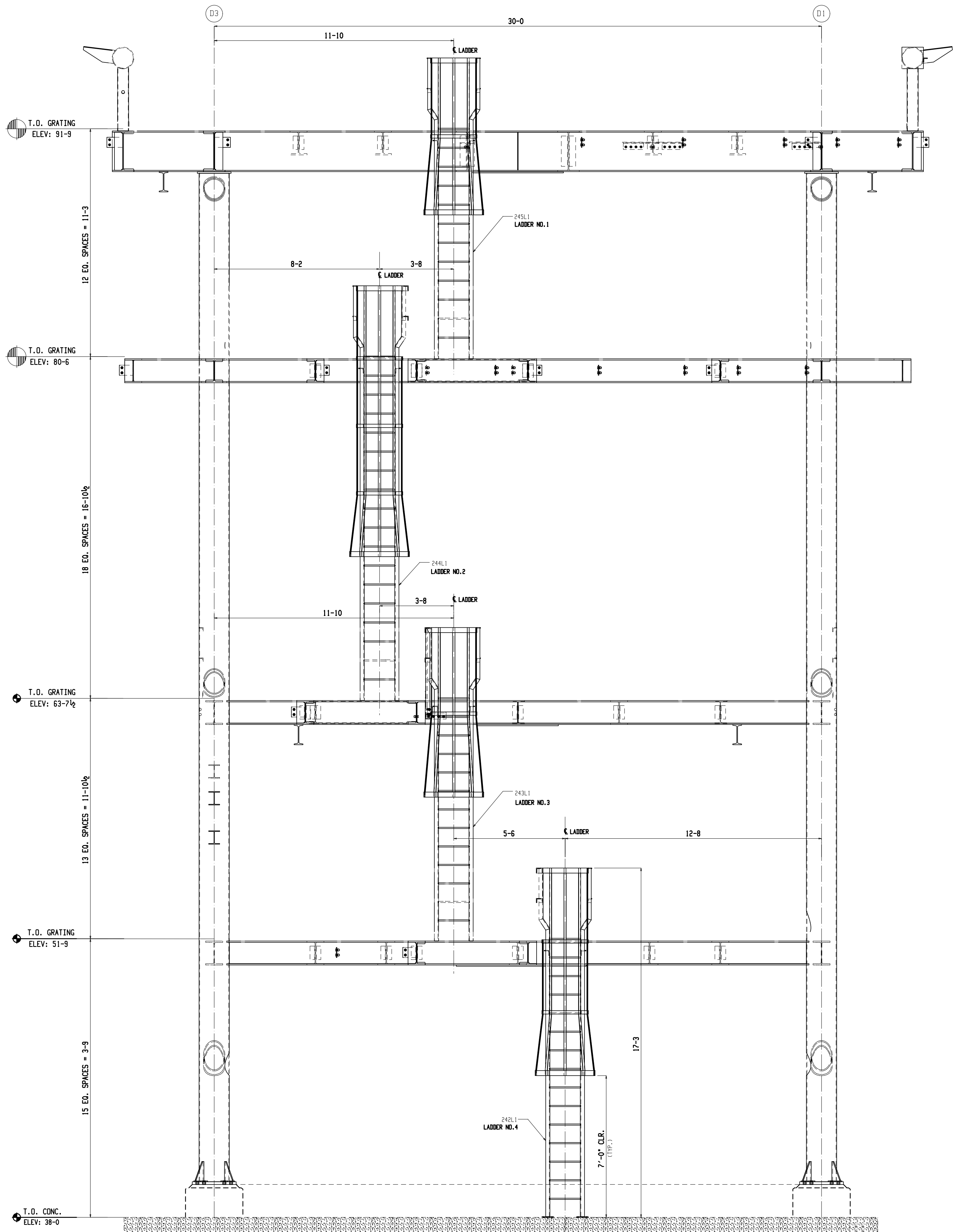


TYPICAL SPLICE CONNECTION



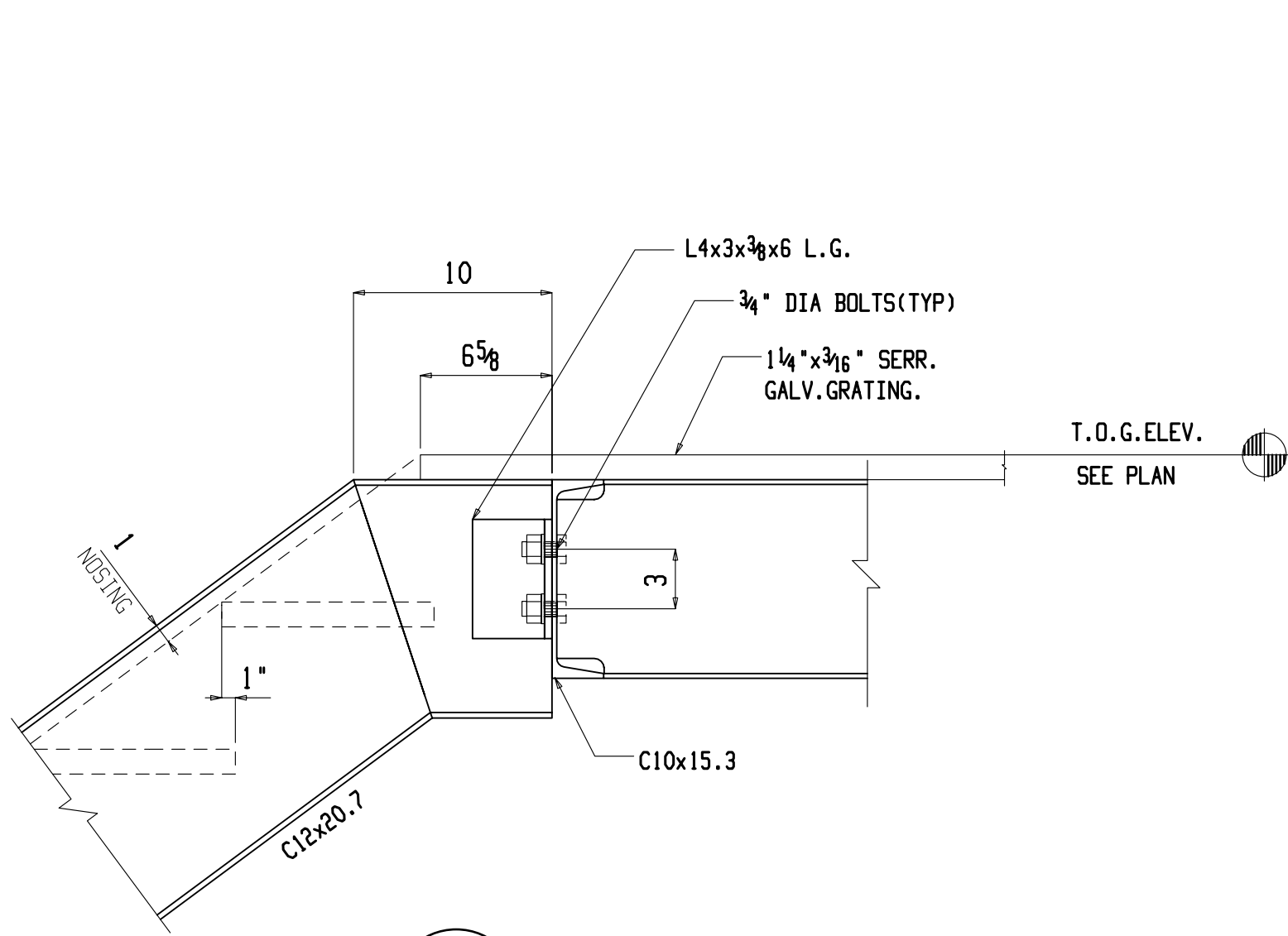
TYPICAL SPLICE CONNECTION PLAN

**SAMPLE DRAWING  
FOR INDUSTRIAL**

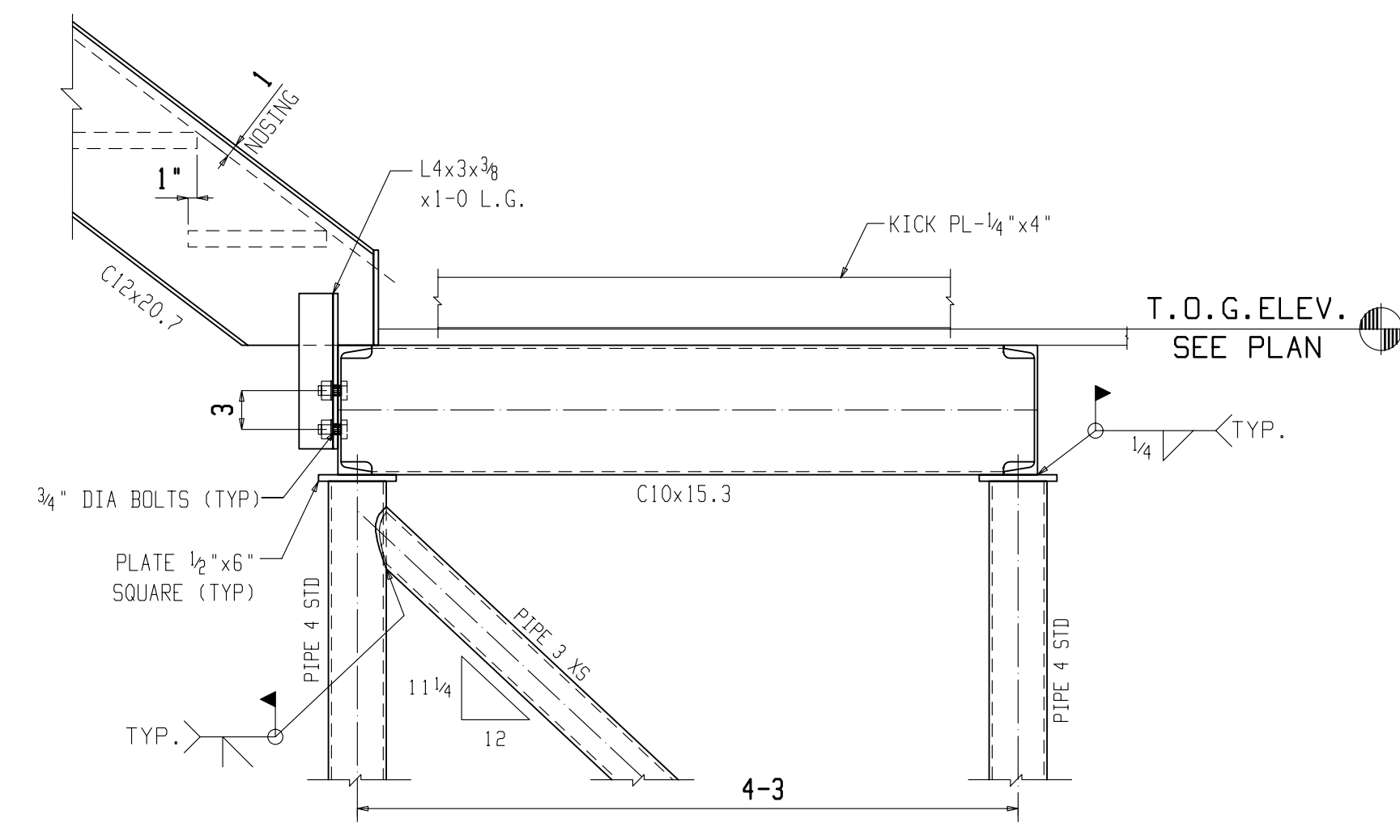


WEST -ELEVATOR LADDERS

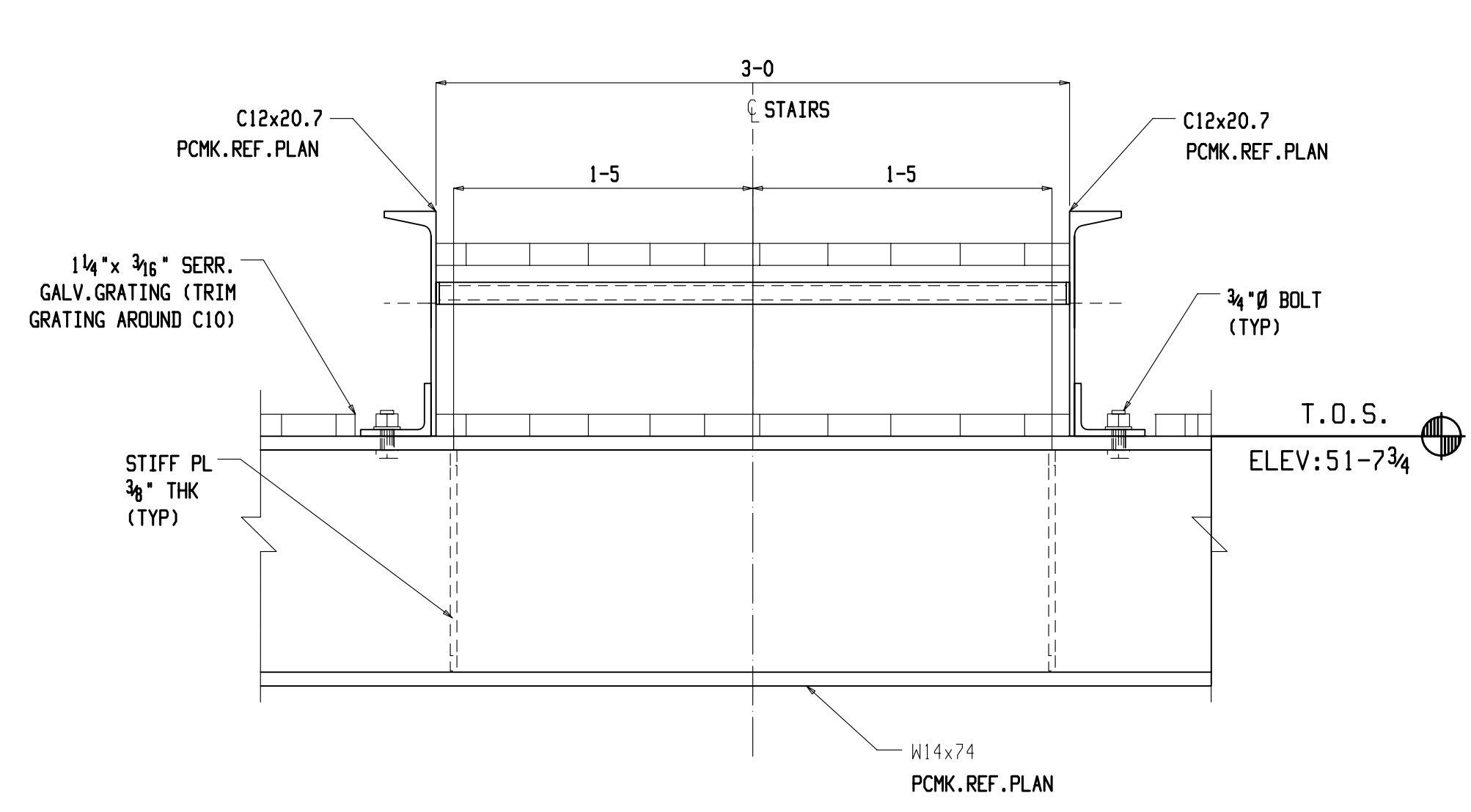
**SAMPLE DRAWING  
FOR INDUSTRIAL**



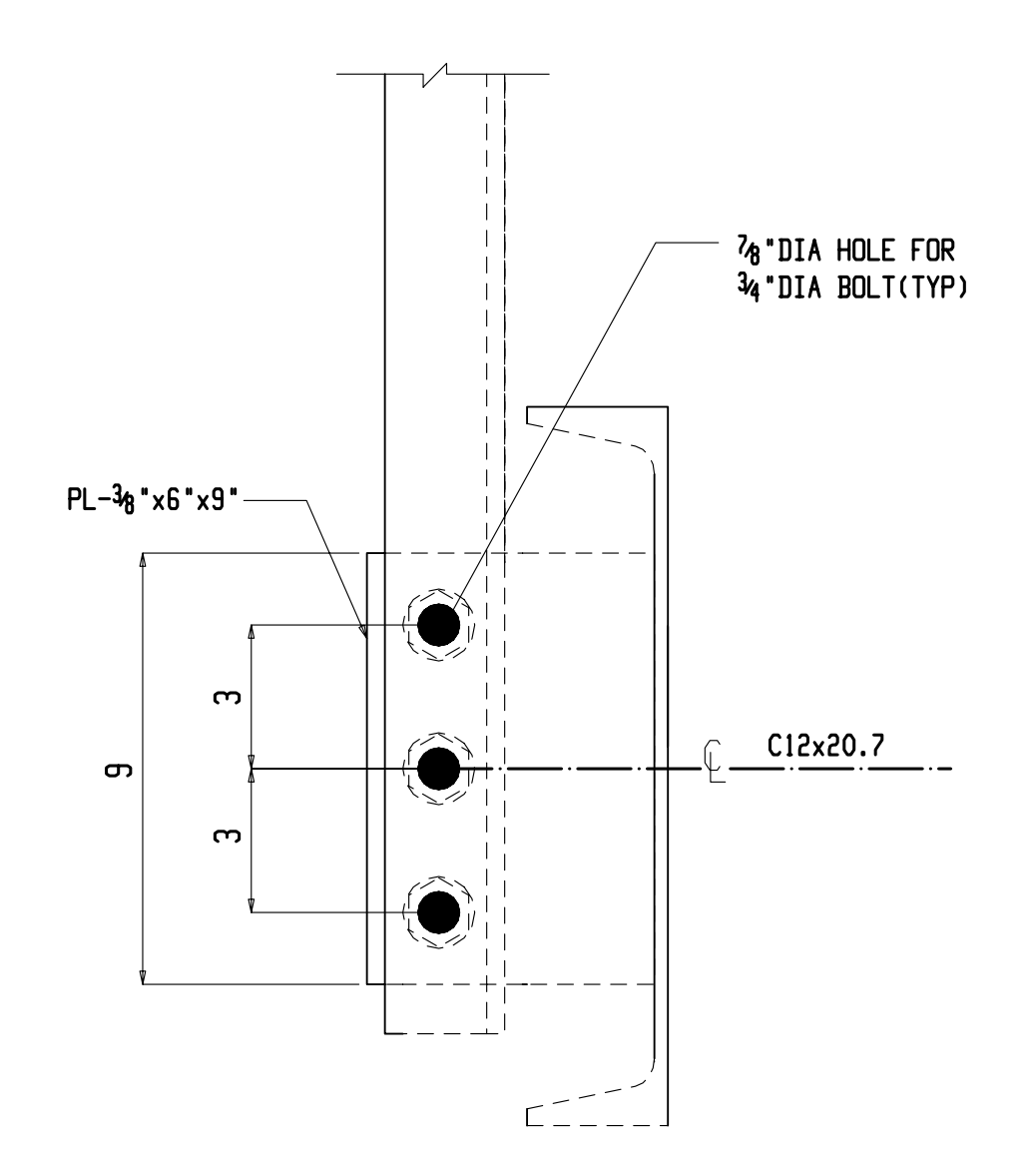
1 SECTION - A  
E23



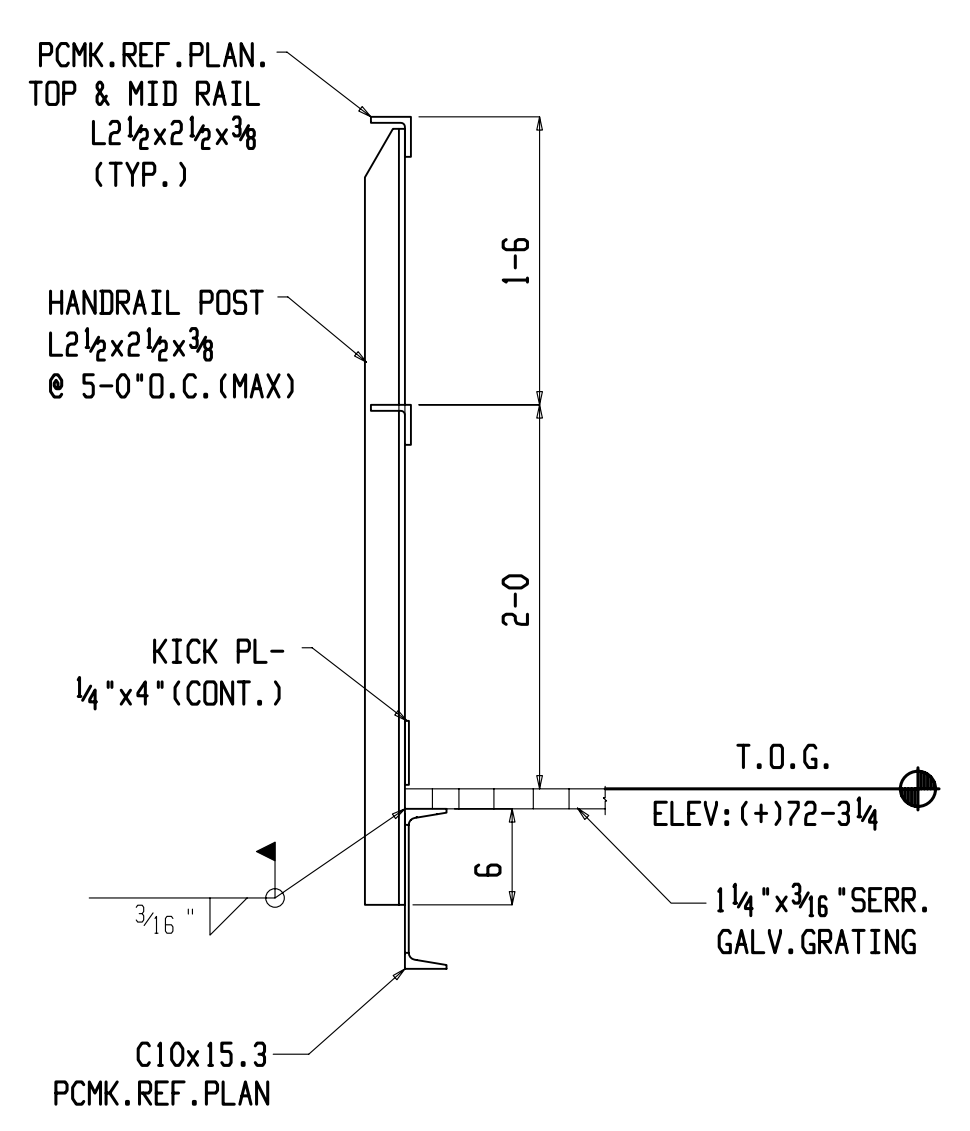
2 SECTION  
E23



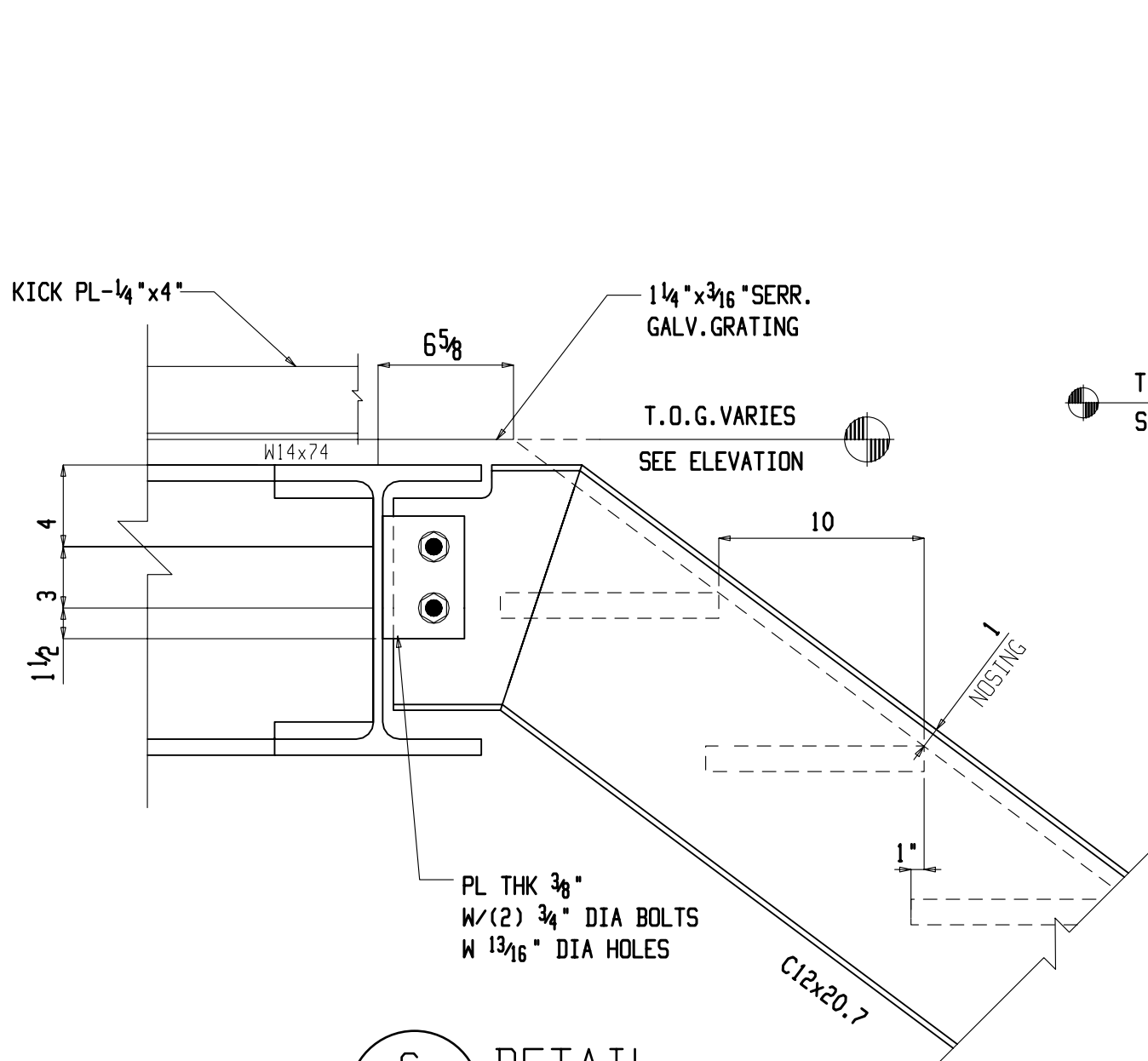
3 SECTION  
E23



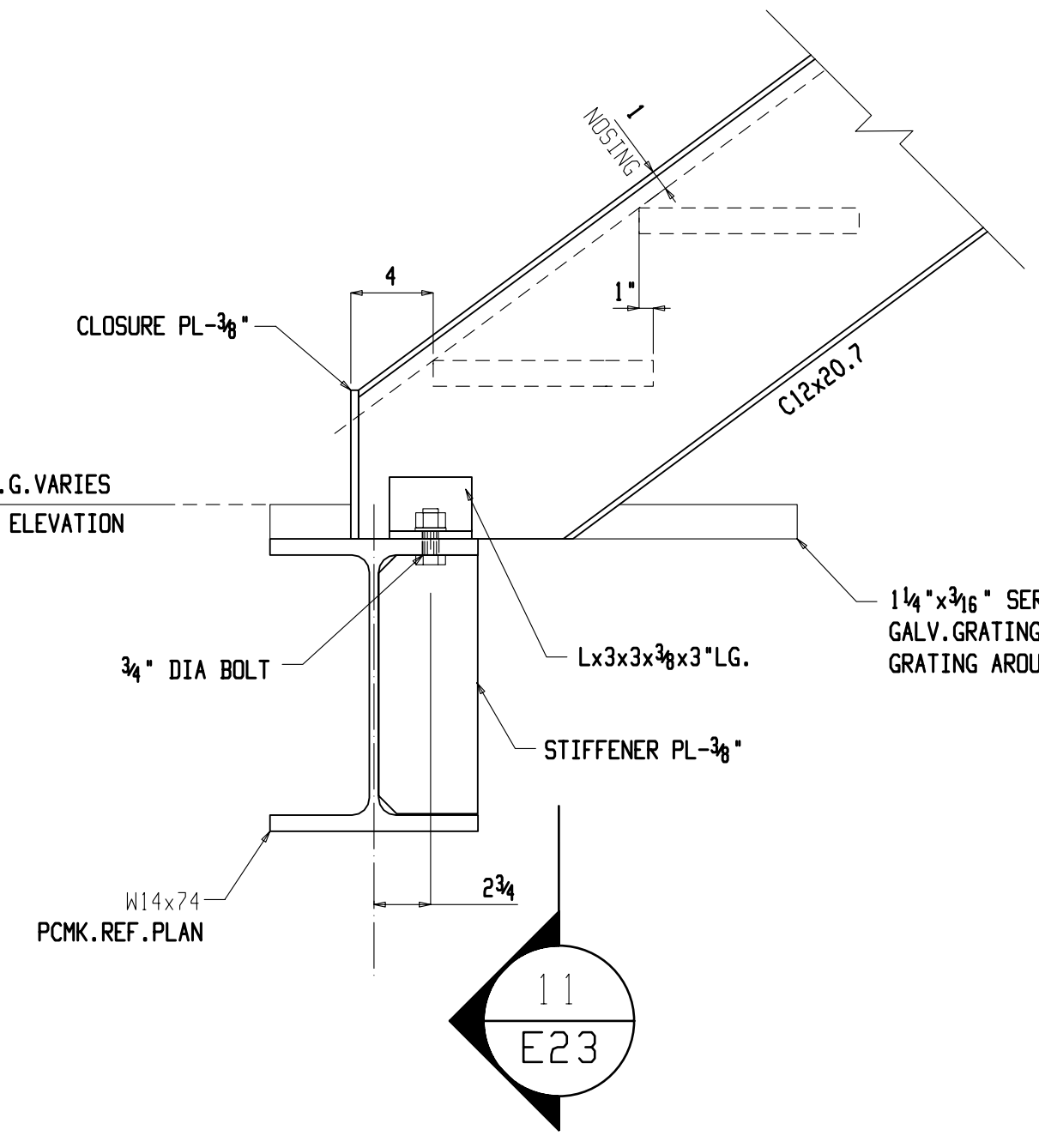
4 SECTION  
E23



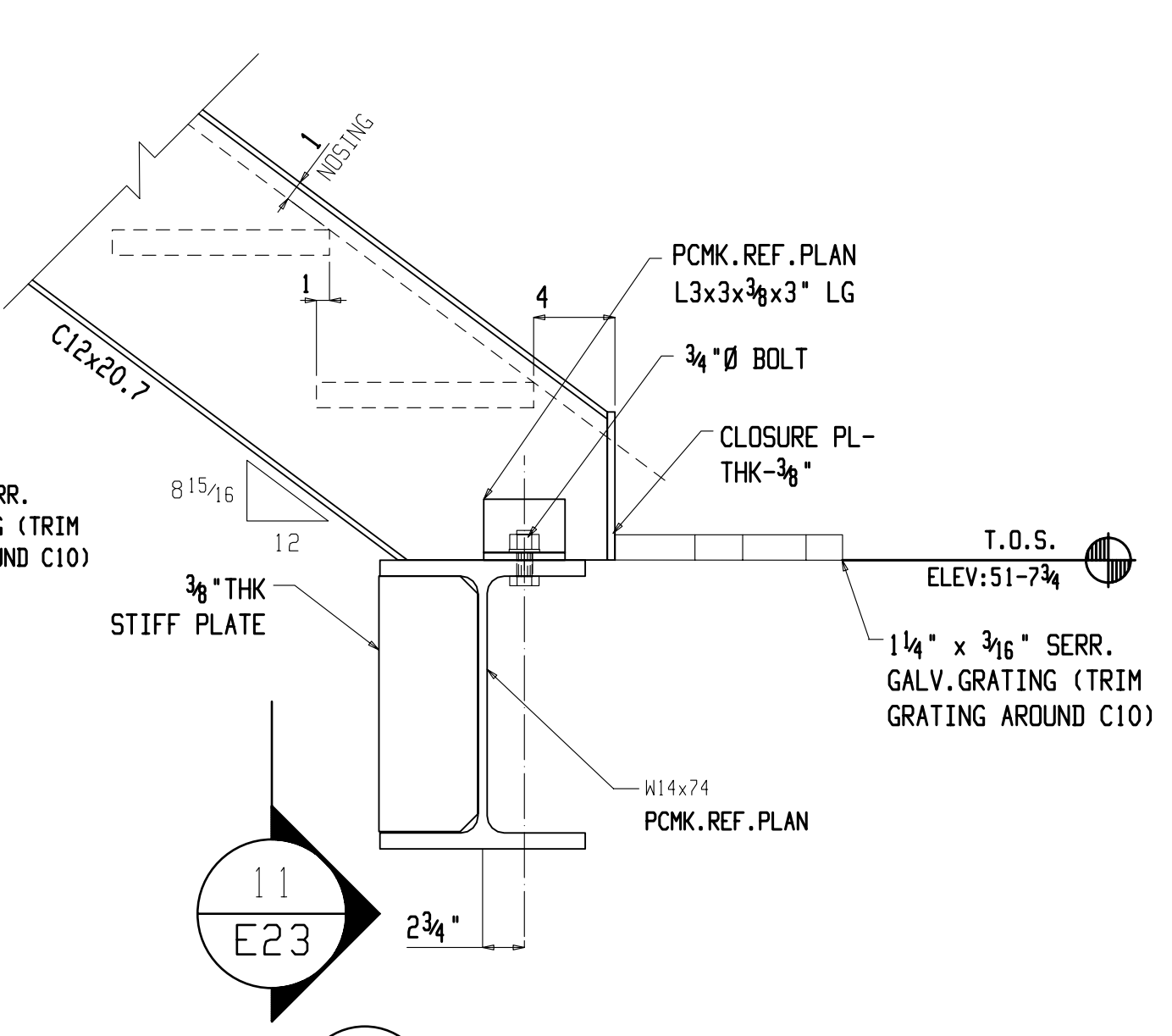
5 DETAIL  
E23



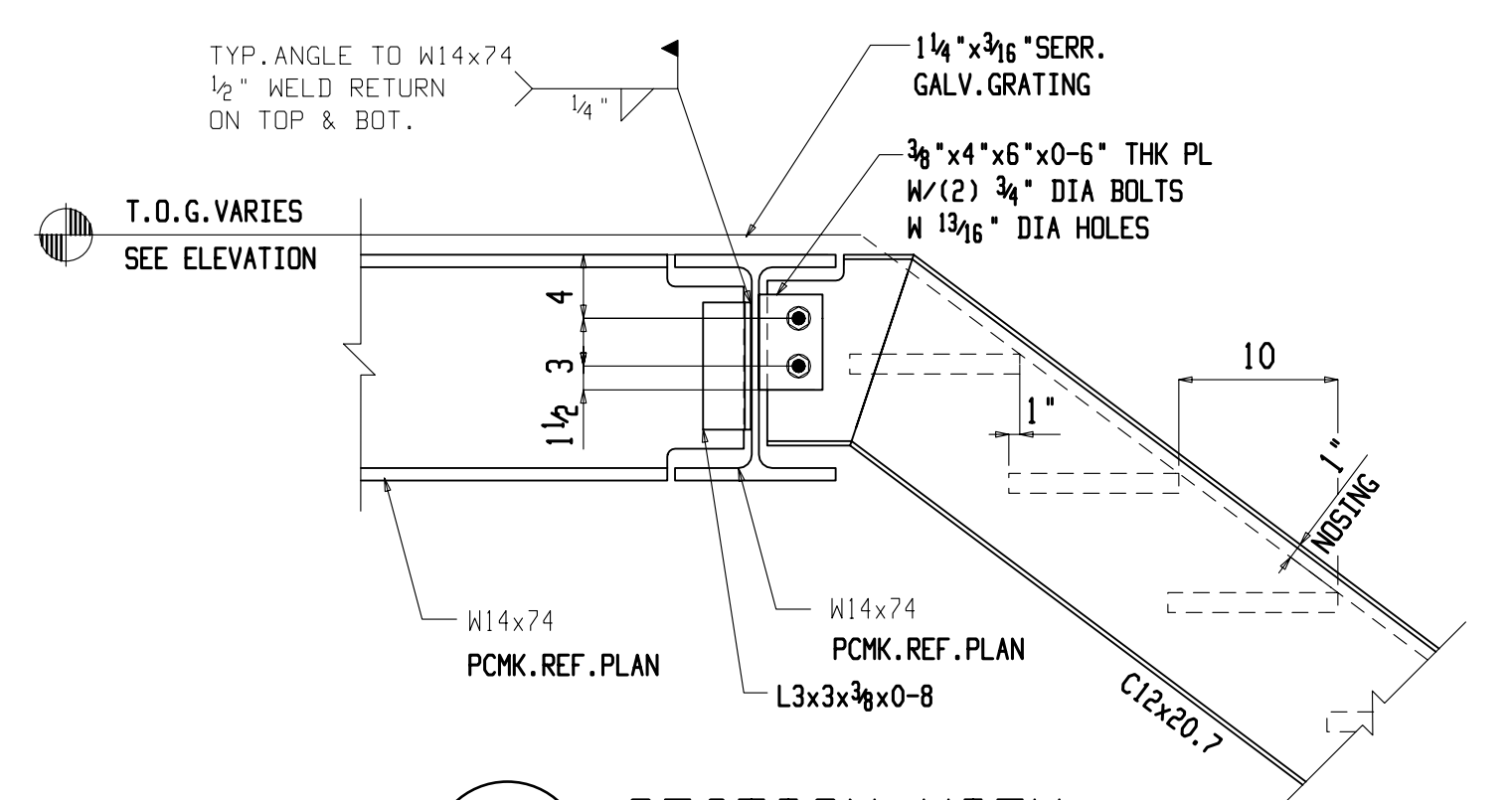
6 DETAIL  
E23



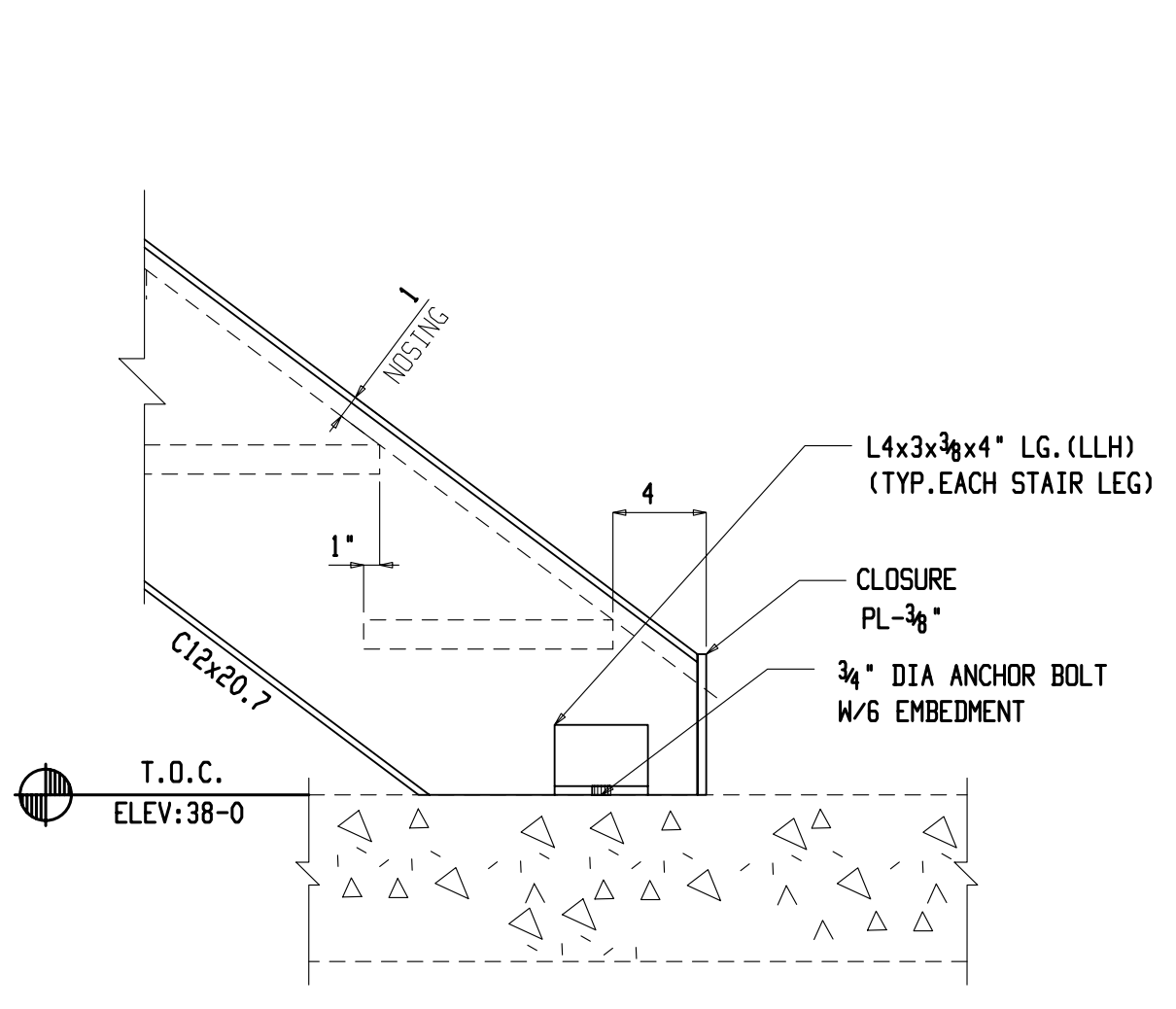
7 DETAIL  
E23



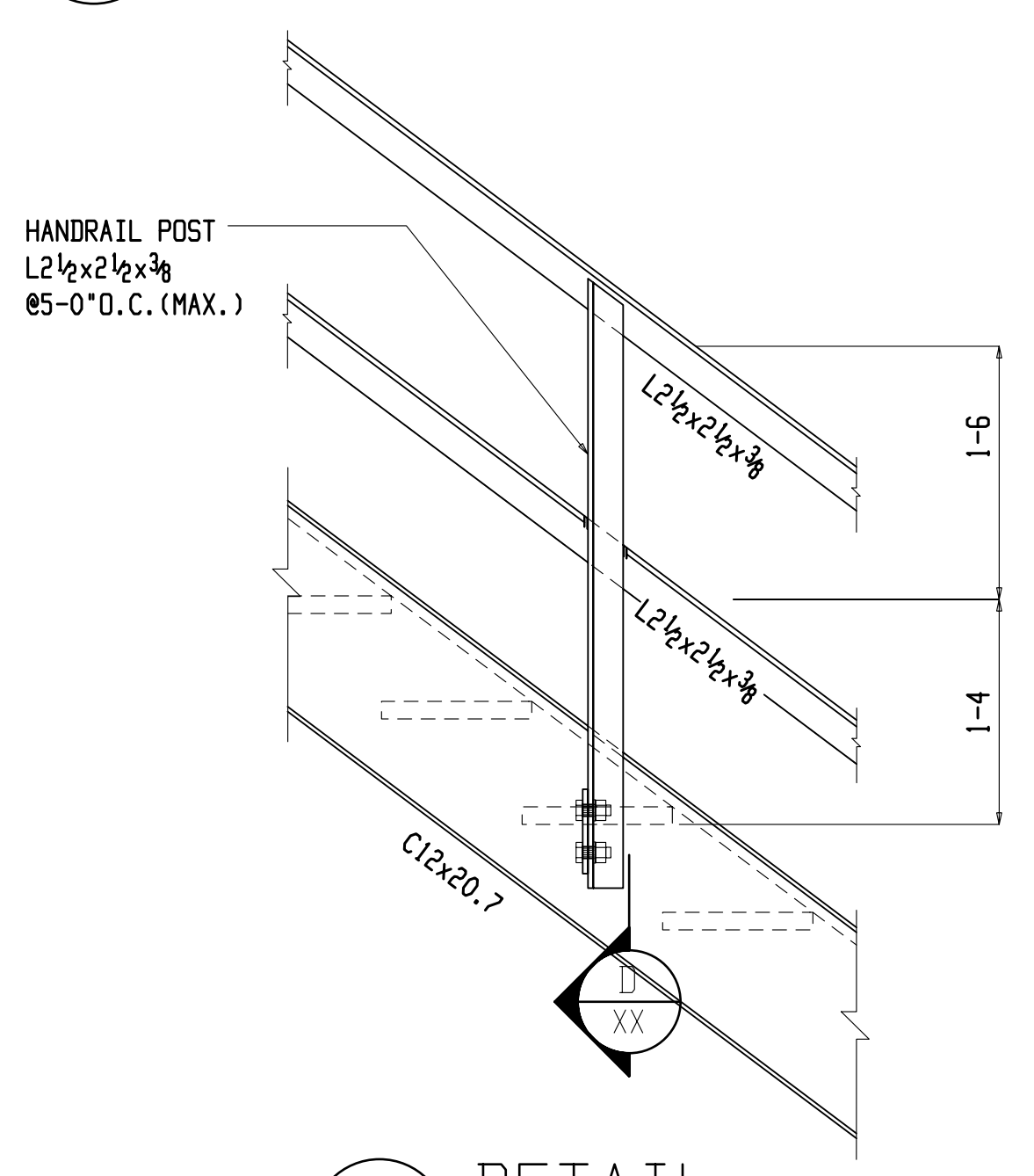
8 DETAIL  
E23



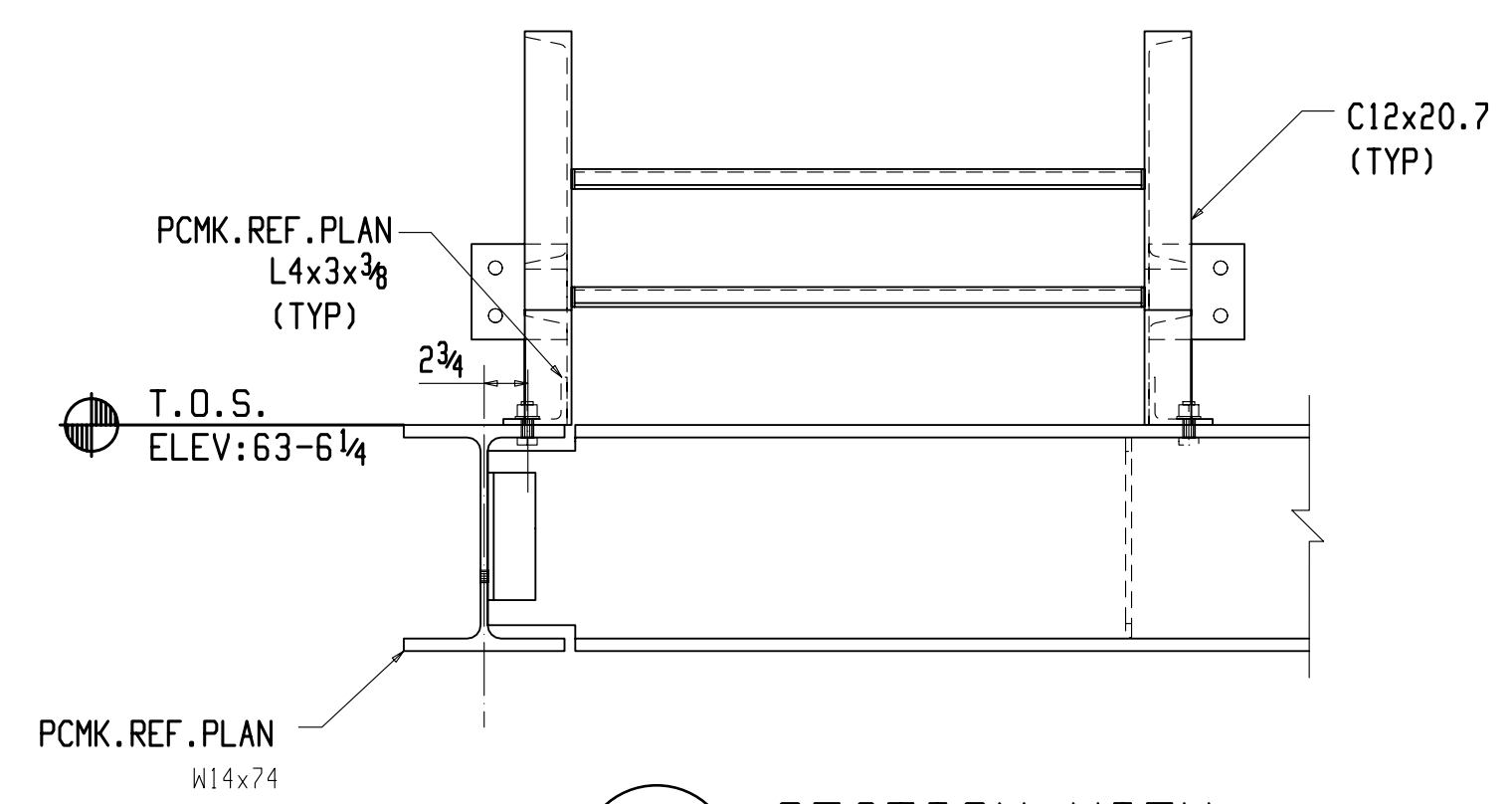
12 SECTION VIEW  
E23  
FIELD VERIFY THE CONNECTIONS



9 DETAIL  
E23

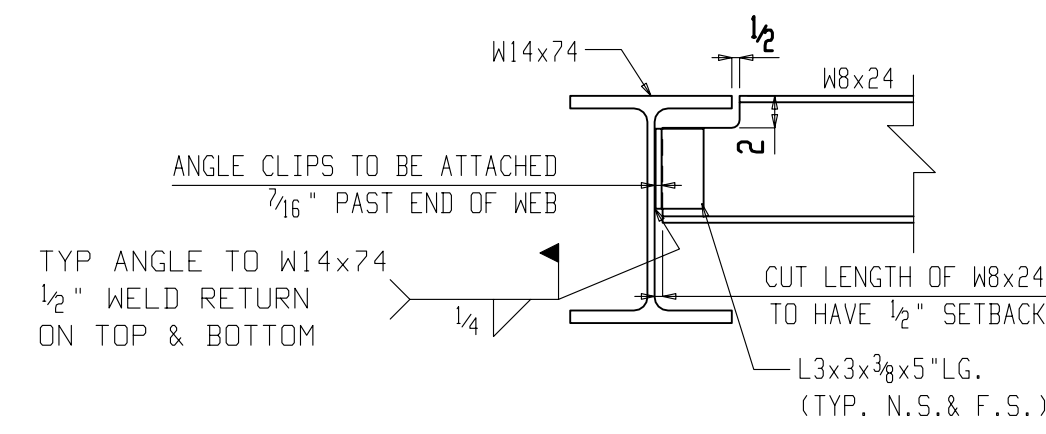


10 DETAIL  
E23



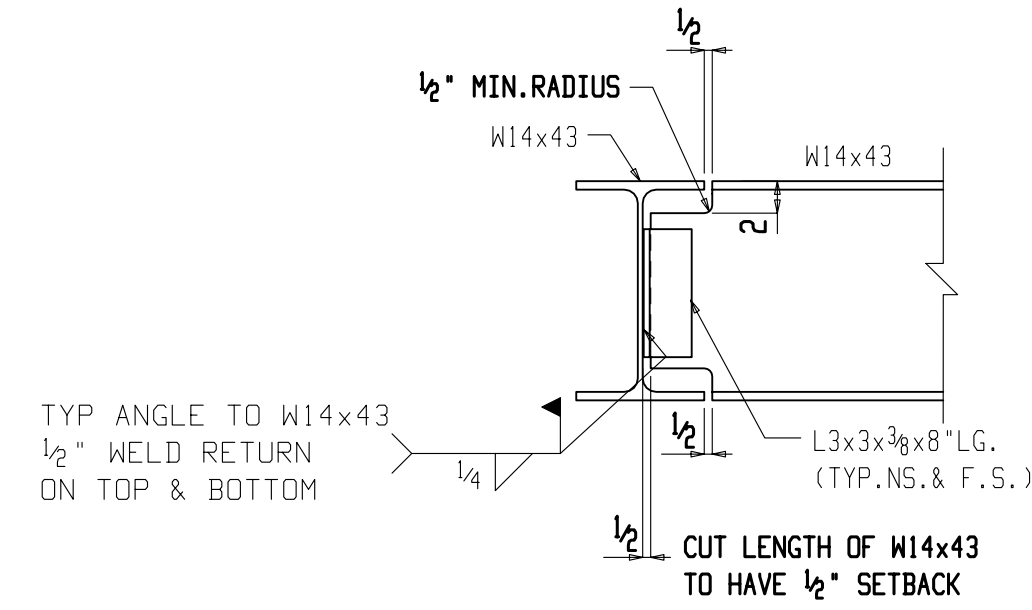
11 SECTION VIEW  
E23

**SAMPLE DRAWING  
FOR INDUSTRIAL**



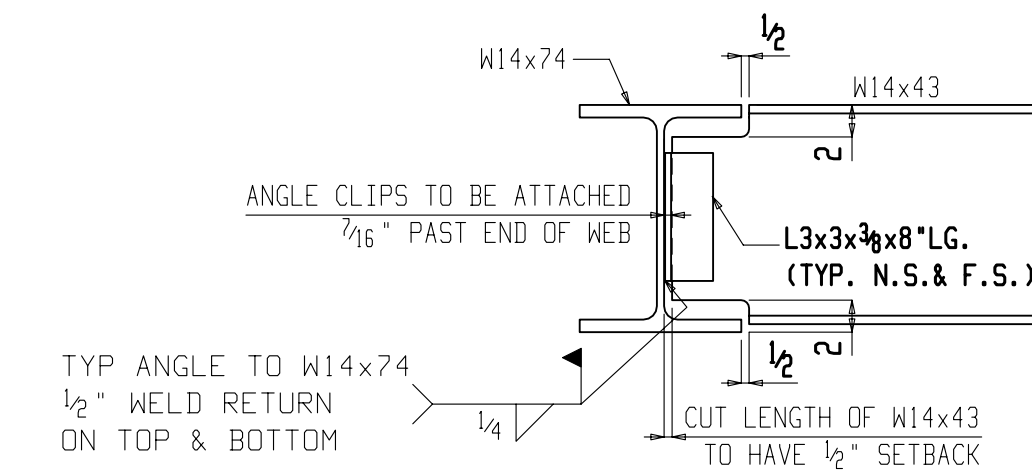
**W8x24 TO W14x74 SHEAR CONNECTION**

TYPICAL @ T.O.S. EL. 51'-7<sup>3</sup>/<sub>4</sub>"



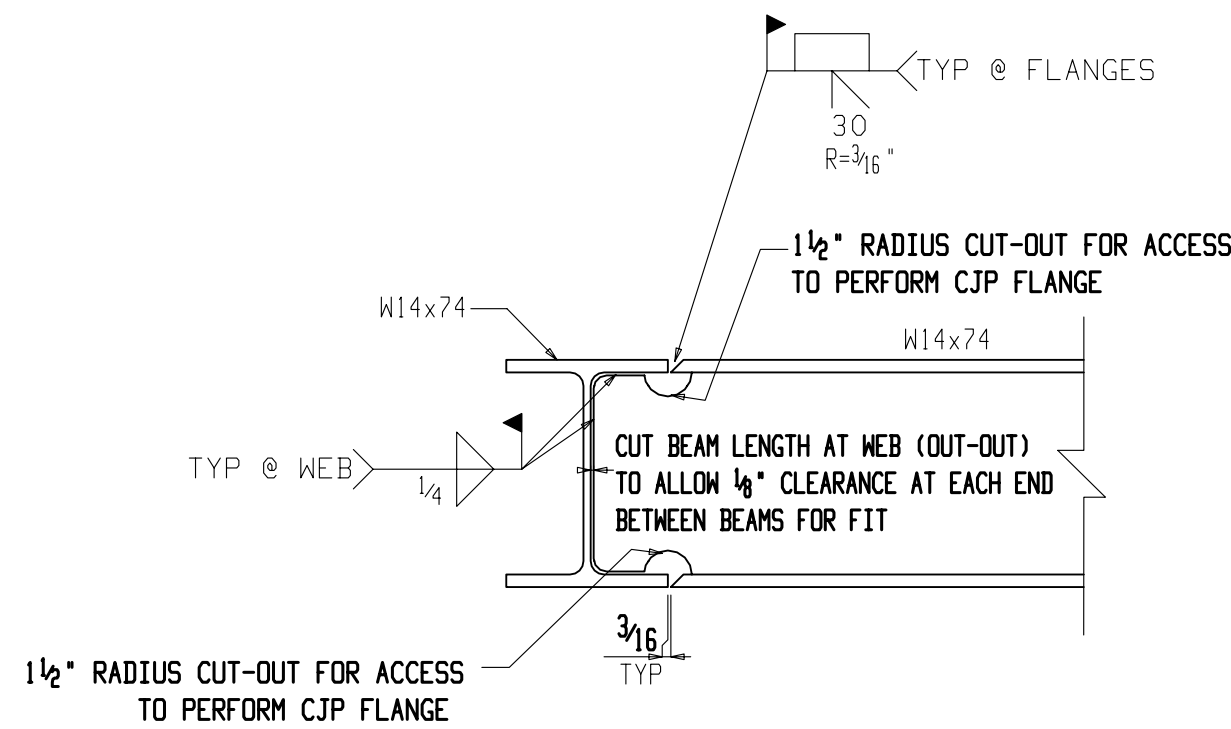
**W14x43 TO W14x43 CONNECTION**

(TYPICAL @ T.O.S. EL. 80'-4<sup>3</sup>/<sub>4</sub>" , 63'-6<sup>1</sup>/<sub>4</sub>" )



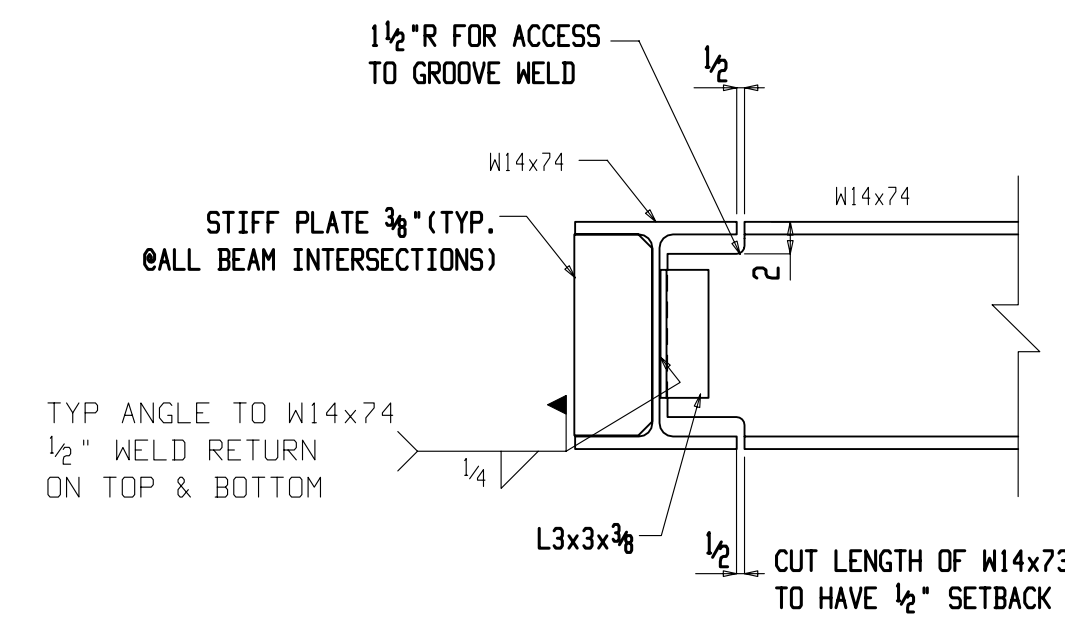
**W14x43 TO W14x74 SHEAR CONNECTION**

TYPICAL @ T.O.S. EL. 80'-4<sup>3</sup>/<sub>4</sub>" ,  
EL. 63'-6<sup>1</sup>/<sub>4</sub>" & EL. 51'-7<sup>3</sup>/<sub>4</sub>"



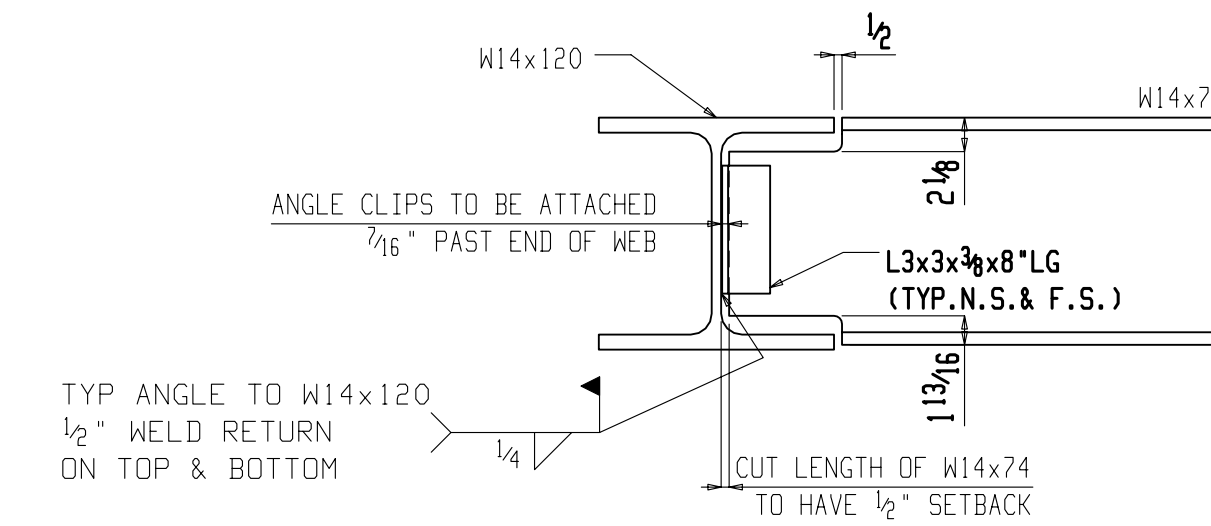
**W14x74 TO W14x74 MOMENT CONNECTION**

TYPICAL @ T.O.S. EL. 80'-4<sup>3</sup>/<sub>4</sub>" , 63'-6<sup>1</sup>/<sub>4</sub>" & 51'-7<sup>3</sup>/<sub>4</sub>"



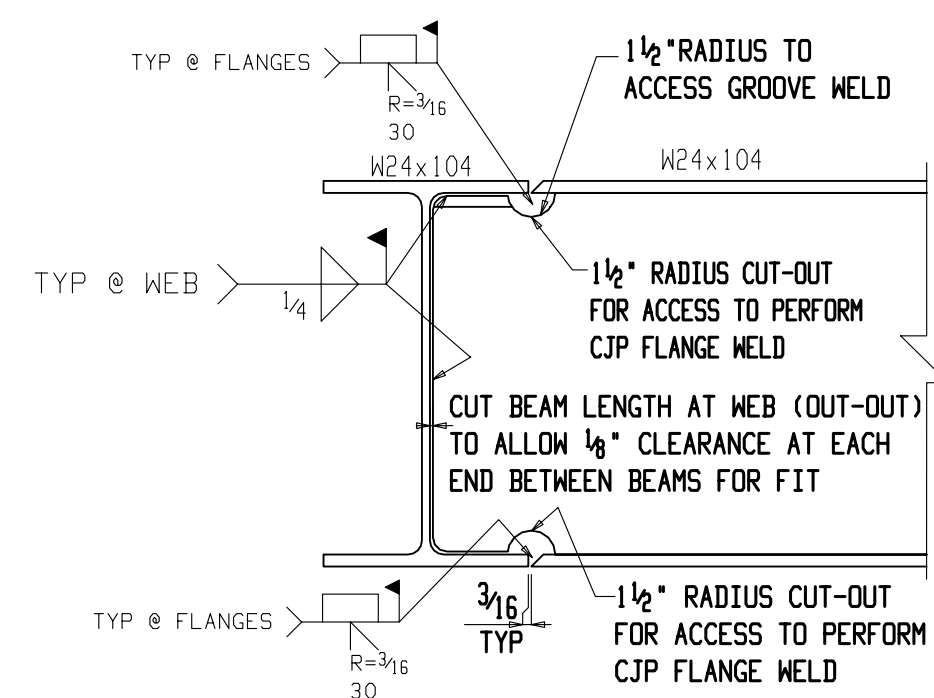
**W14x74 TO W14x74 SHEAR CONNECTION**

TYPICAL @ T.O.S. EL. 80'-4<sup>3</sup>/<sub>4</sub>" , 63'-6<sup>1</sup>/<sub>4</sub>" & 51'-7<sup>3</sup>/<sub>4</sub>"



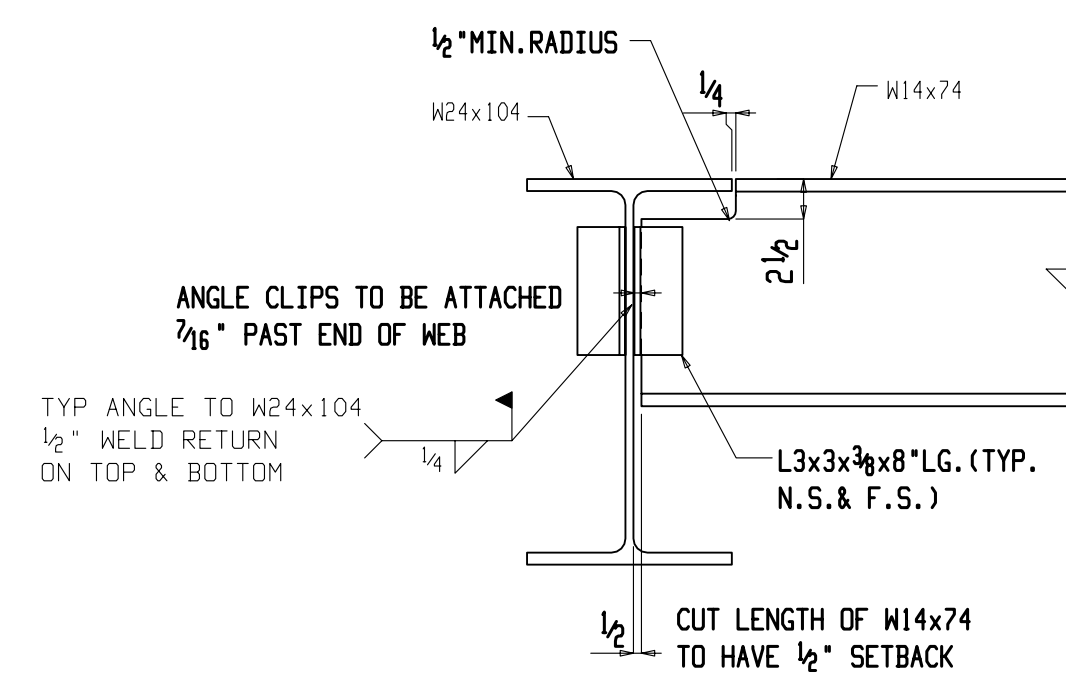
**W14x74 TO W14x120 SHEAR CONNECTION**

TYPICAL @ T.O.S. EL. 51'-7<sup>3</sup>/<sub>4</sub>" & 91'-7<sup>3</sup>/<sub>4</sub>"



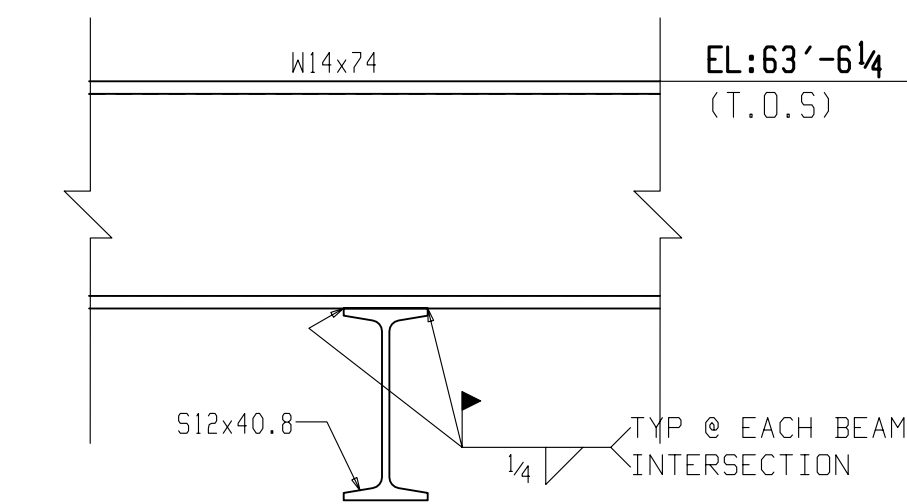
**W24x104 TO W24x104 MOMENT CONNECTION**

TYPICAL @ T.O.S. EL. 91'-7<sup>3</sup>/<sub>4</sub>"

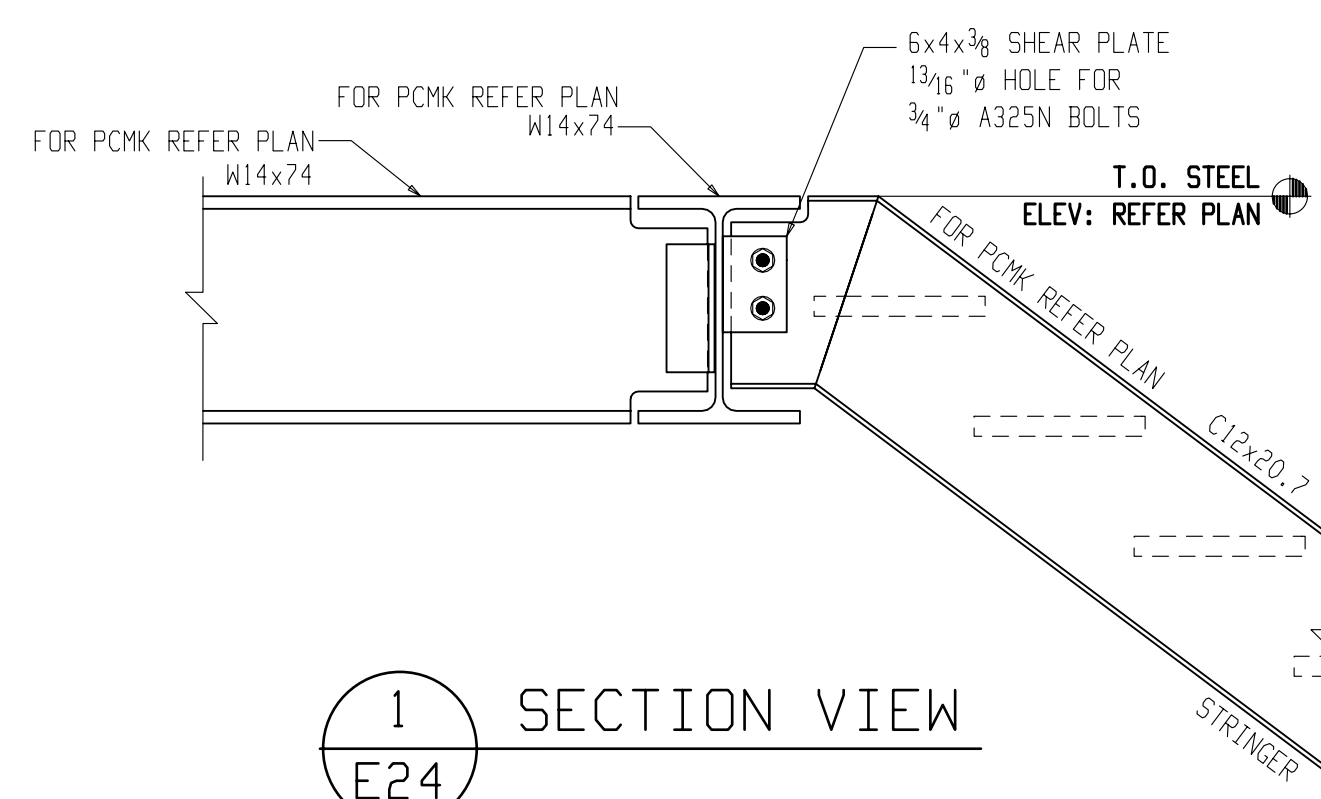


**W14x74 TO W24x104 CONNECTION**

TYPICAL @ T.O.S. EL. 91'-7<sup>3</sup>/<sub>4</sub>"

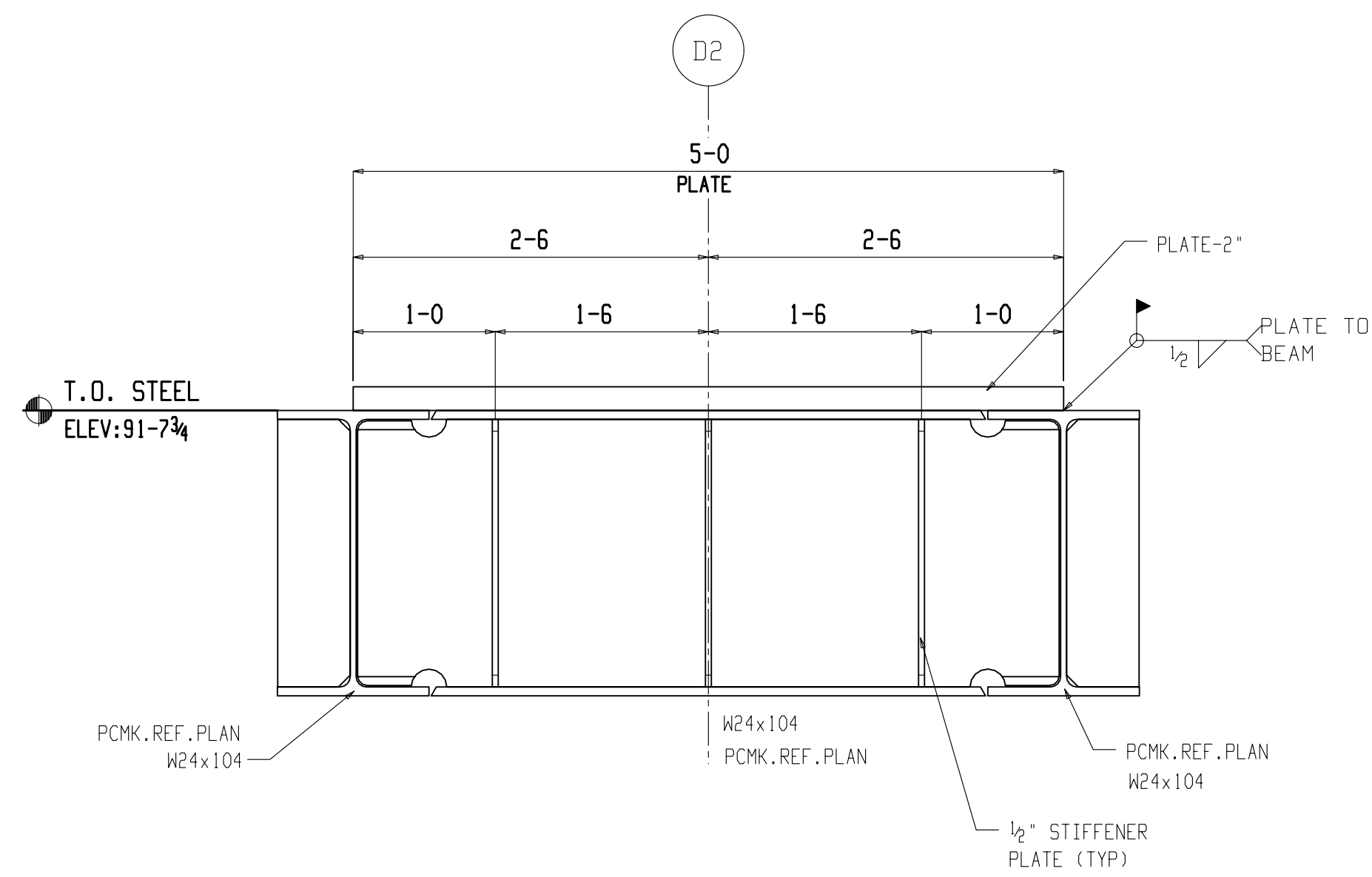


**TYPICAL TROLLEY BEAM CONNECTION**

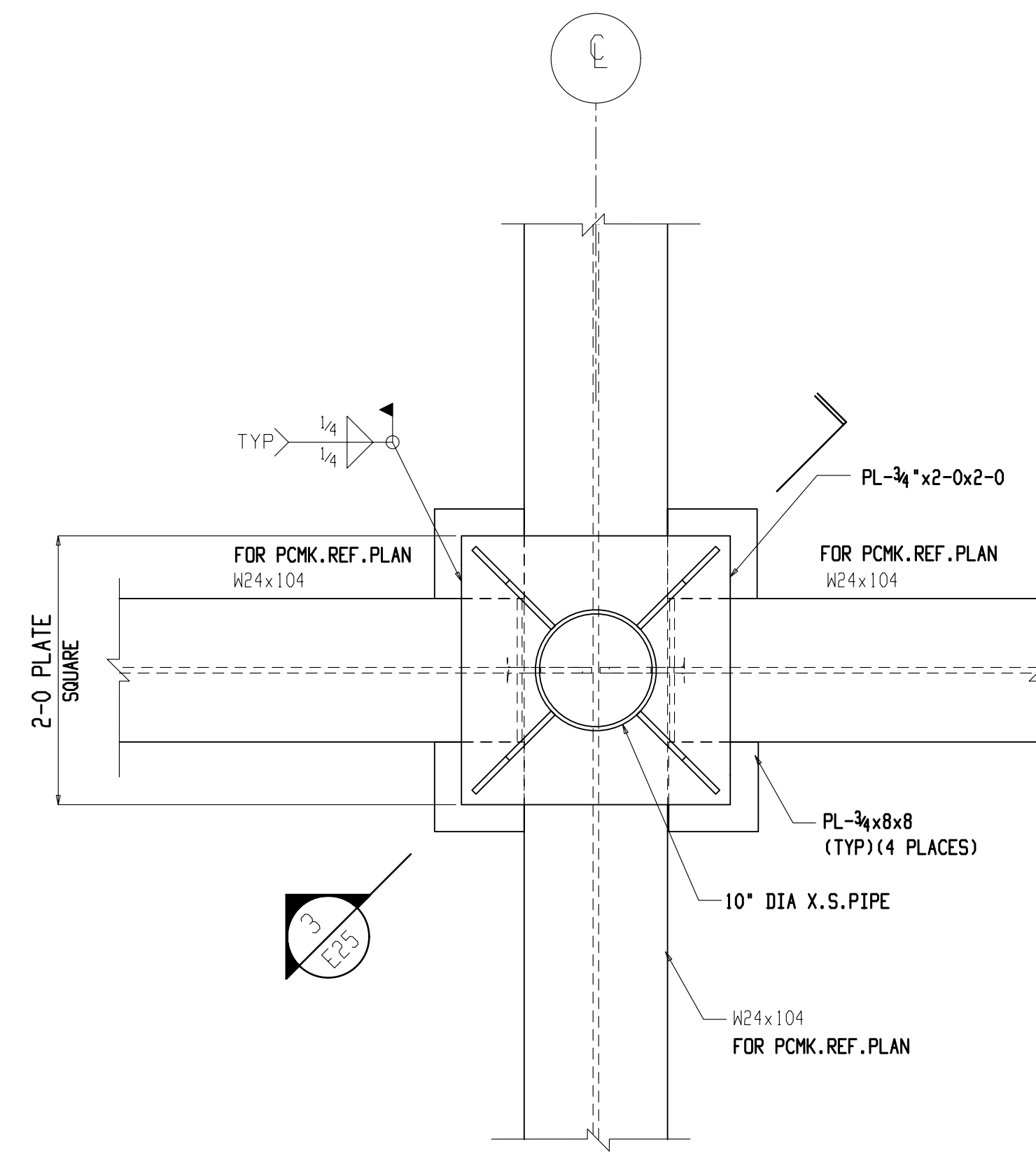


1 SECTION VIEW  
E24

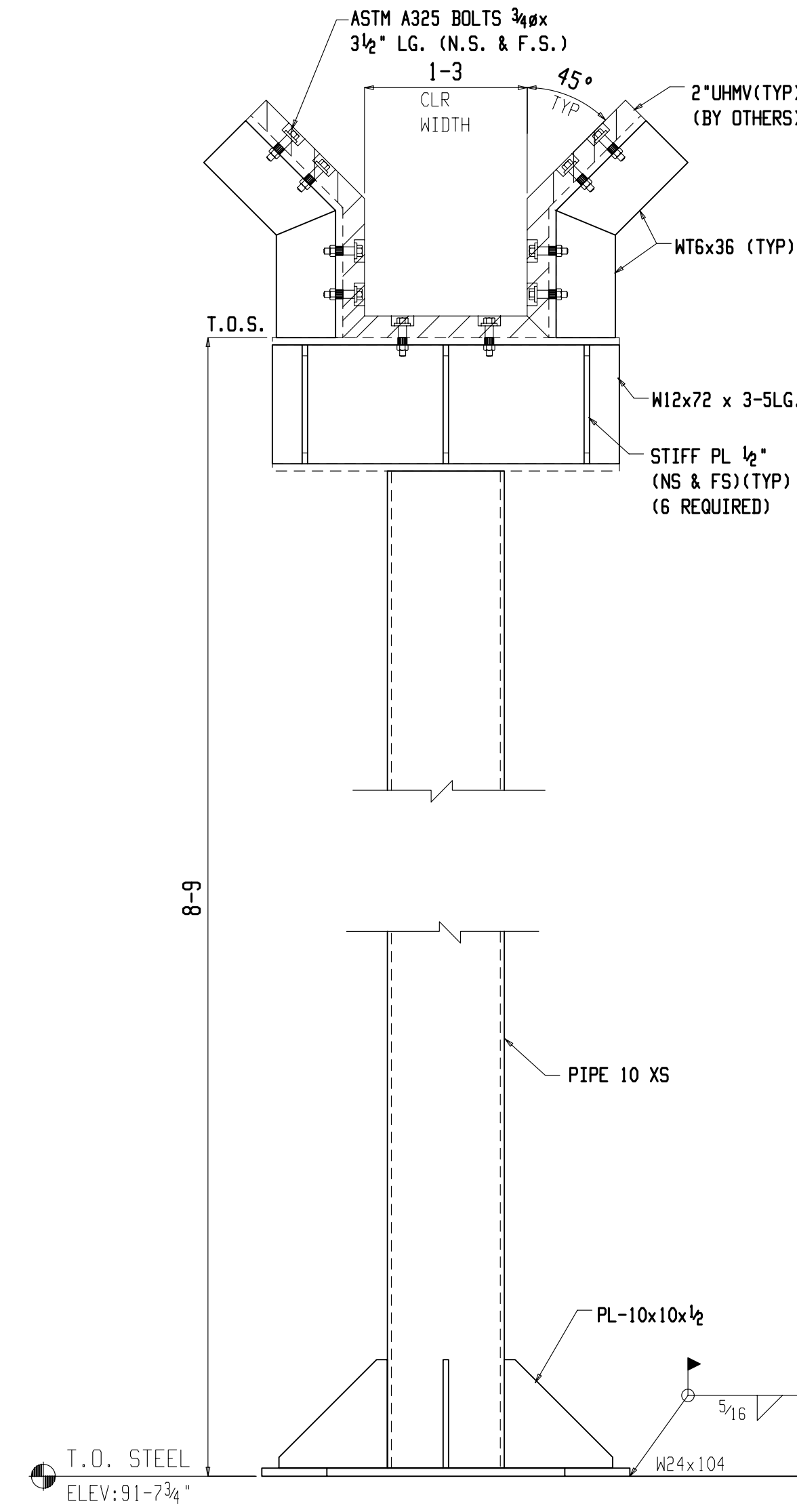
**SAMPLE DRAWING  
FOR INDUSTRIAL**



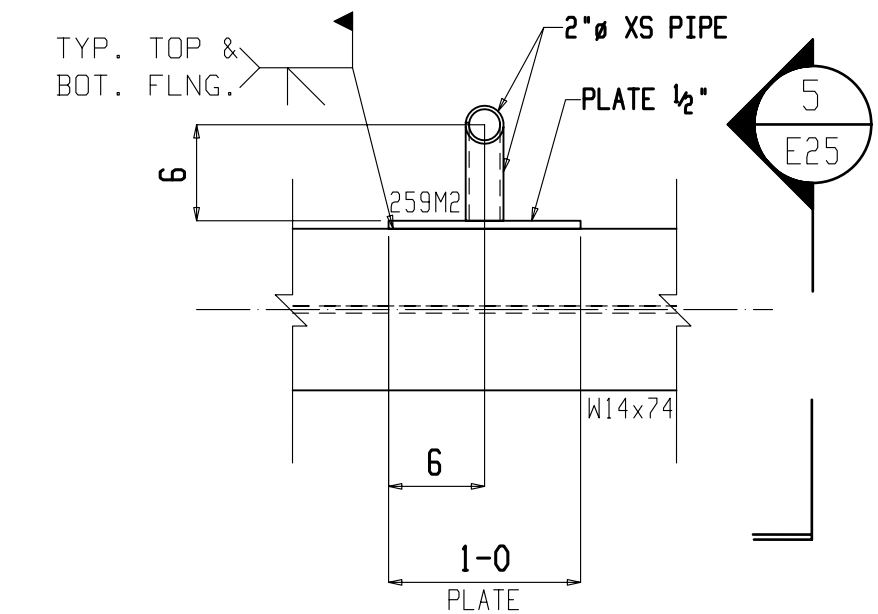
1 SECTION VIEW  
E25 REF: 1/S25



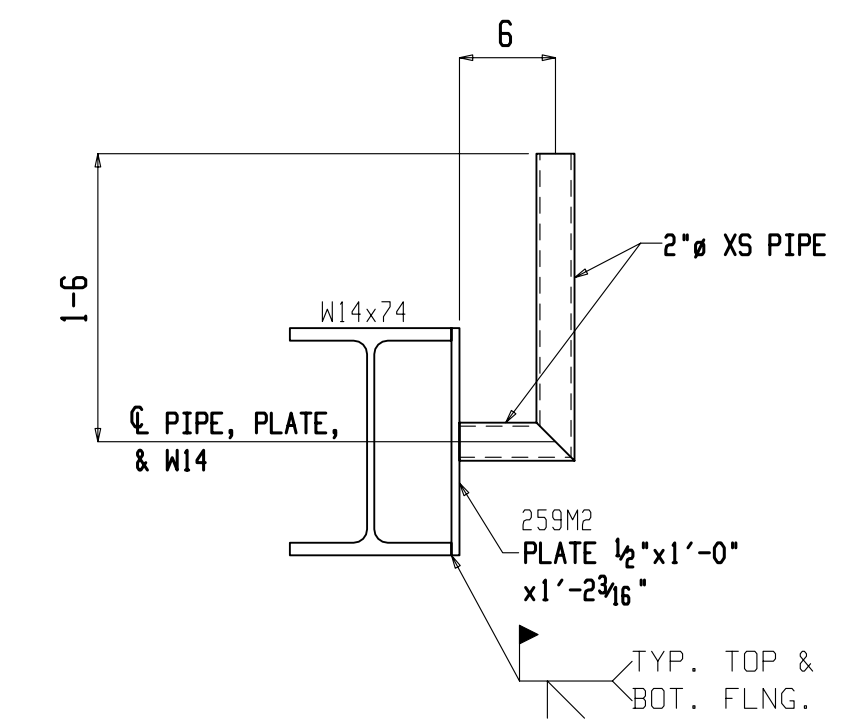
2 SECTION VIEW  
E25 REF: 1/S27



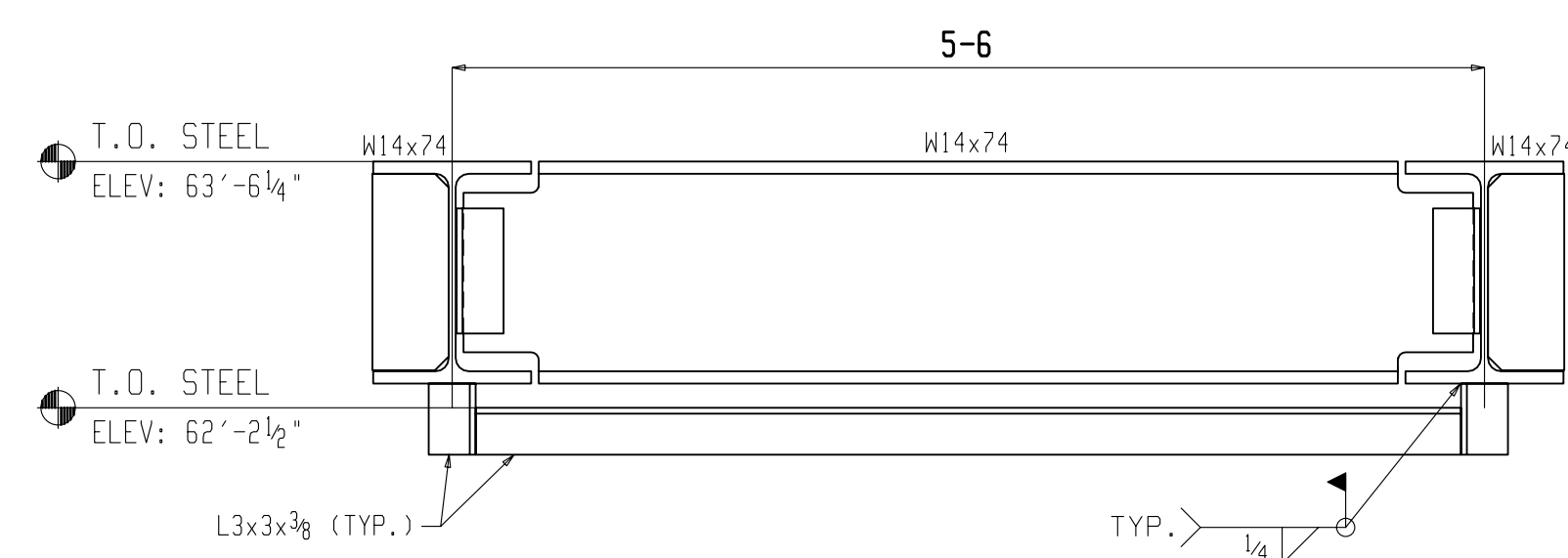
3 SECTION VIEW  
E25 REF: 1/S27



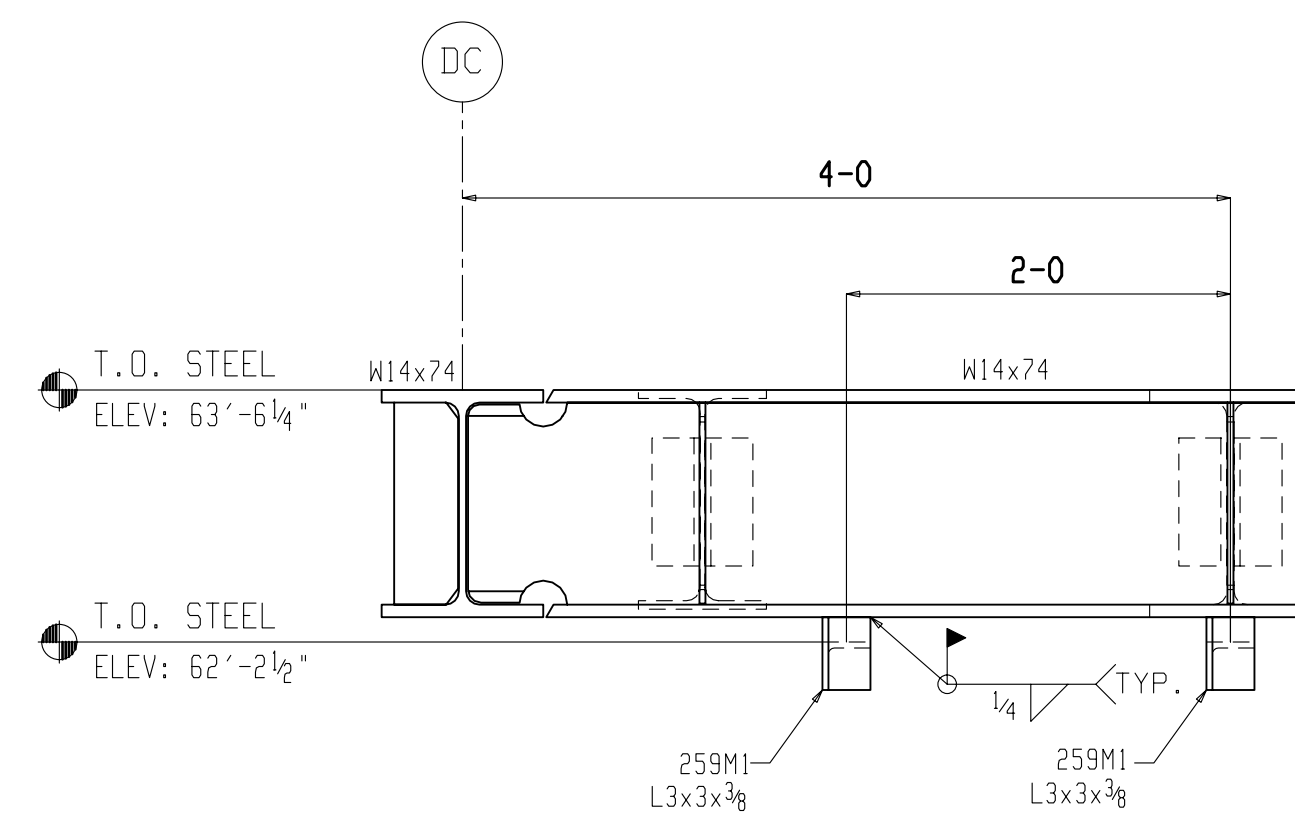
4 SECTION VIEW  
E25 REF: BULLHORN DETAIL/S29



5 SECTION VIEW  
E25 REF: BULLHORN DETAIL/S29



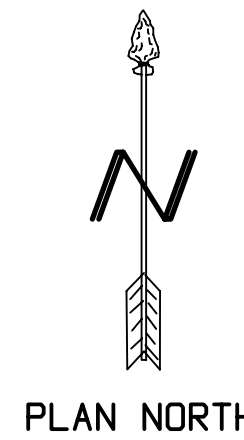
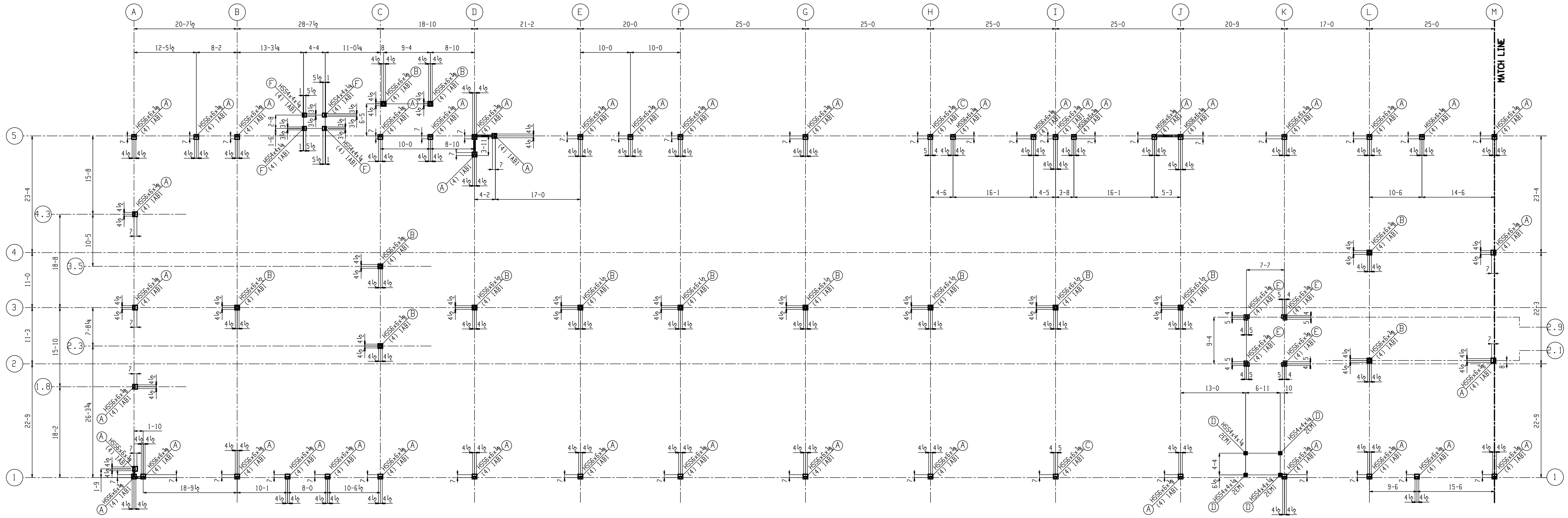
6 SECTION VIEW  
E25 REF: A/S29



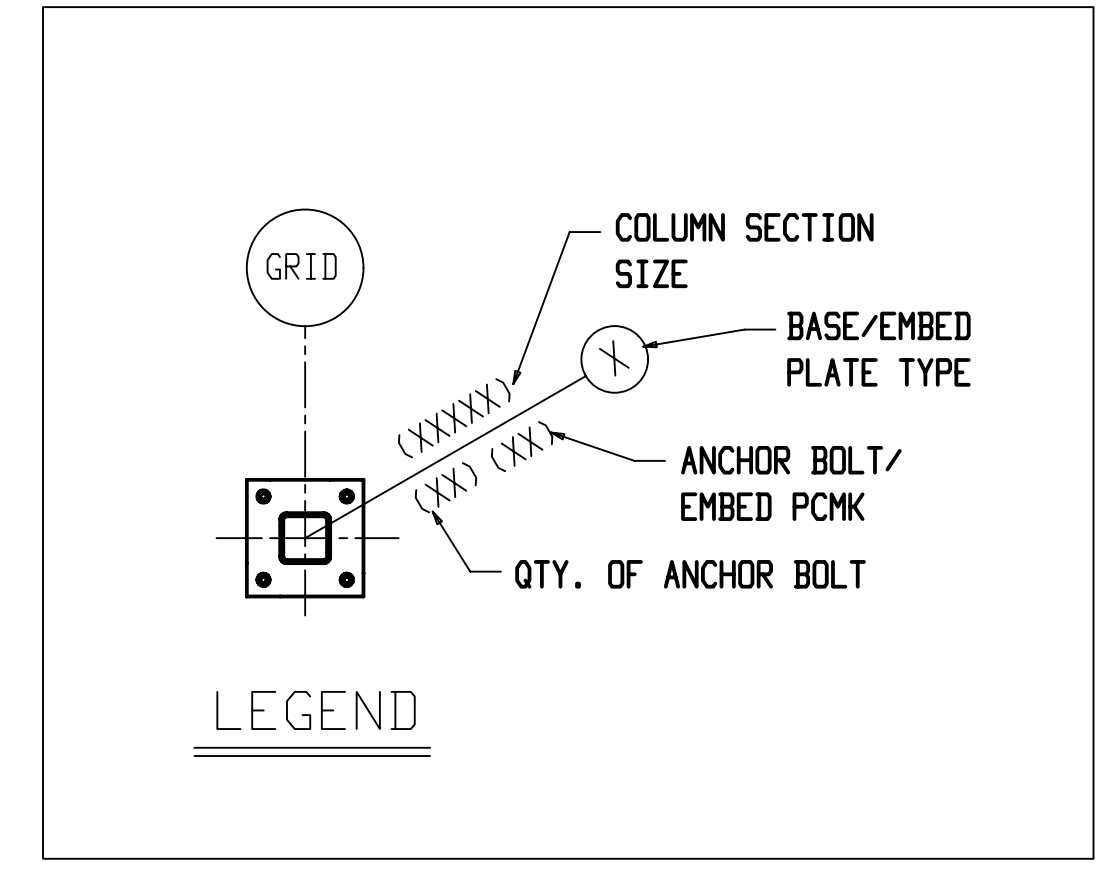
7 SECTION VIEW  
E25 REF: B/S29

**SAMPLE DRAWING  
FOR INDUSTRIAL**



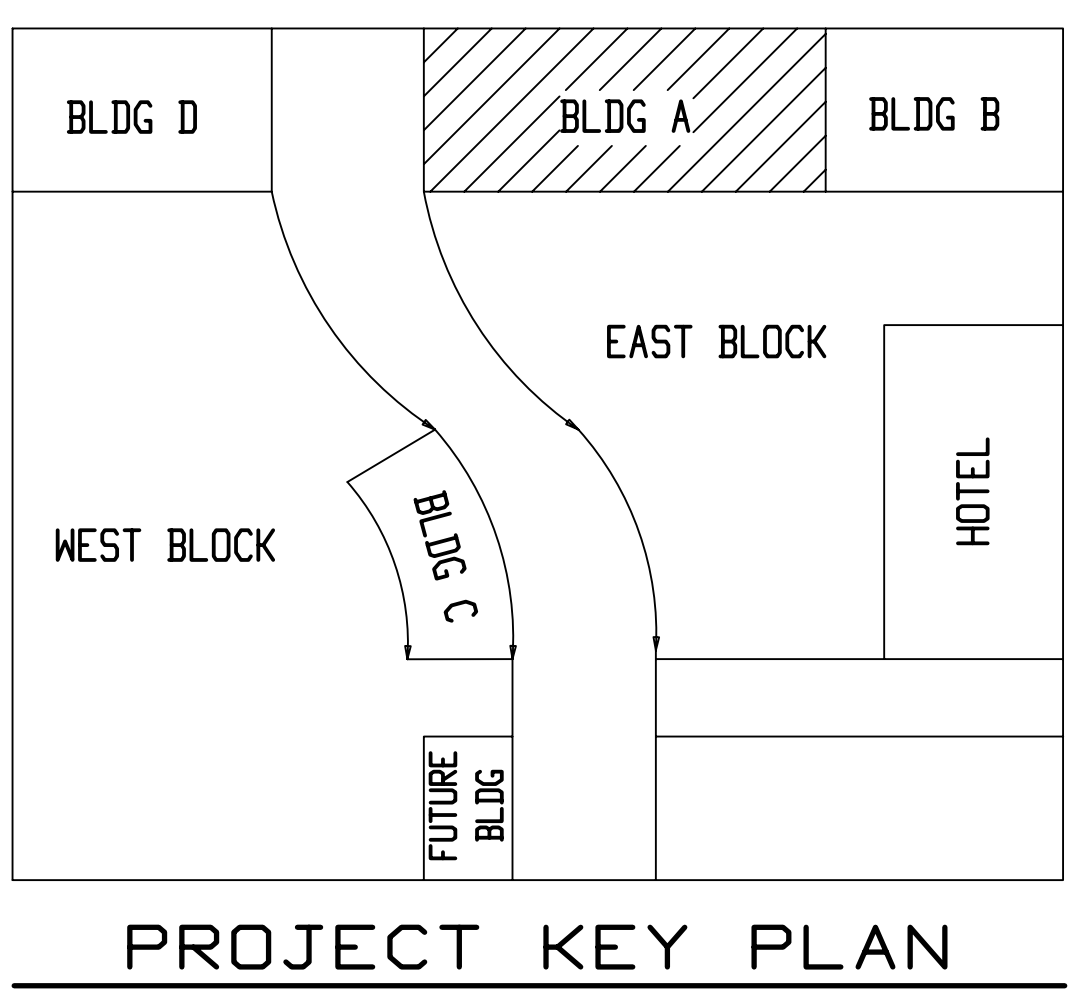


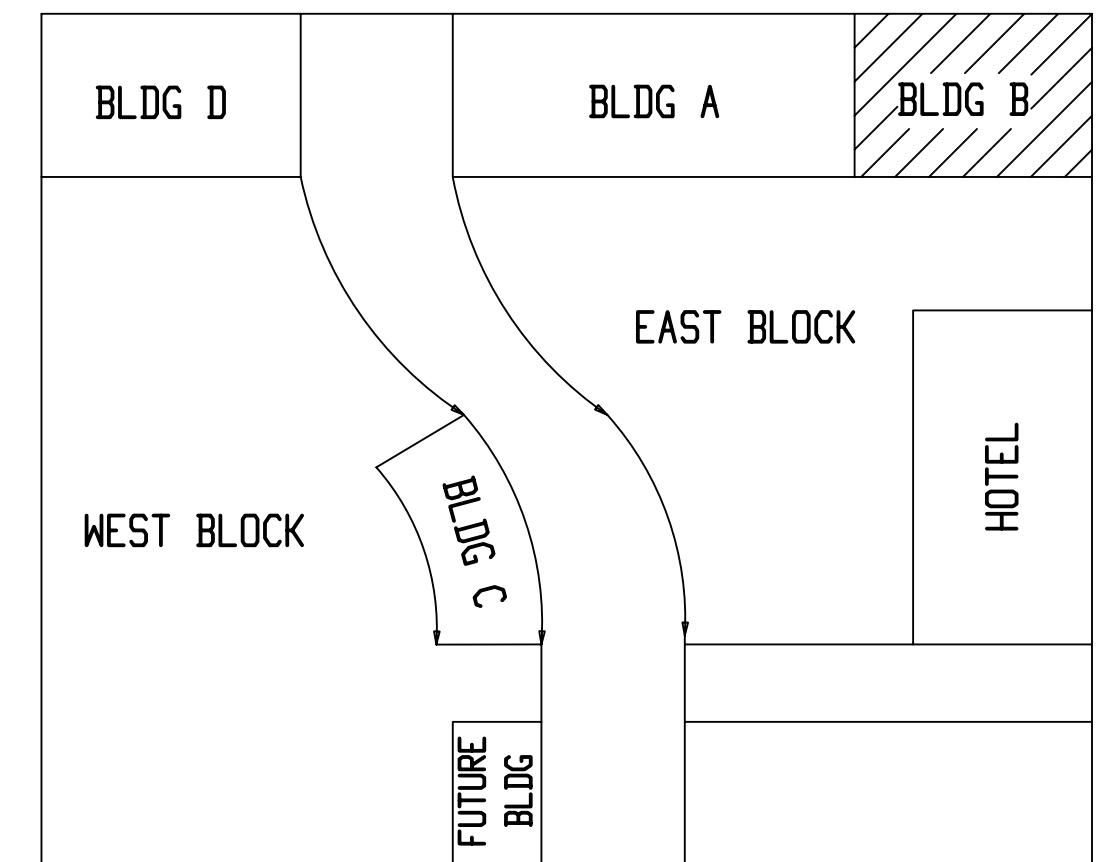
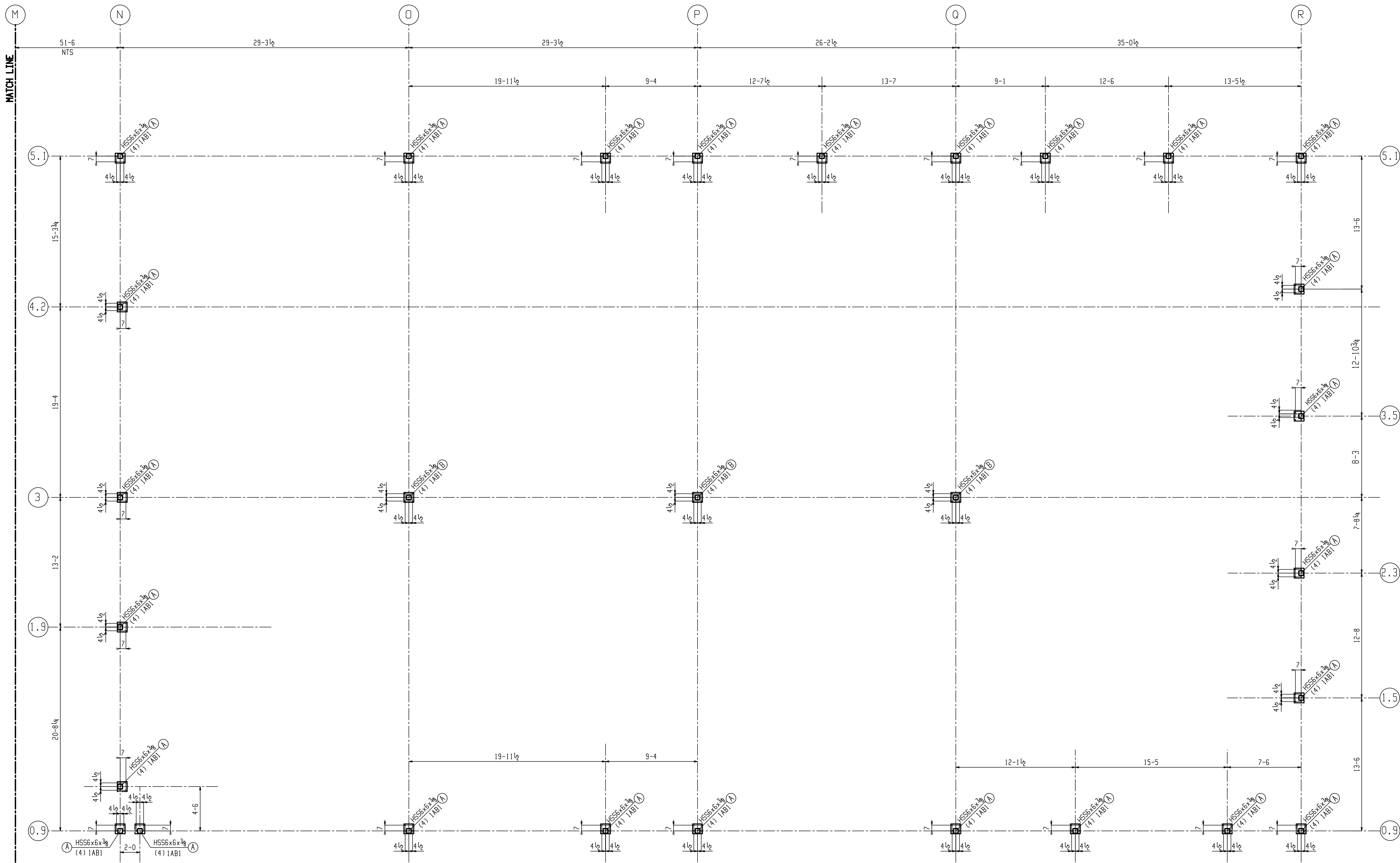
**ANCHOR BOLT SETTING PLAN BLDG-A**  
 B.O. BP. ELEVATION: 208-9 1/4 (U.N.O)  
 T.O. EMBED ELEVATION: REFER DETAIL D/AB3



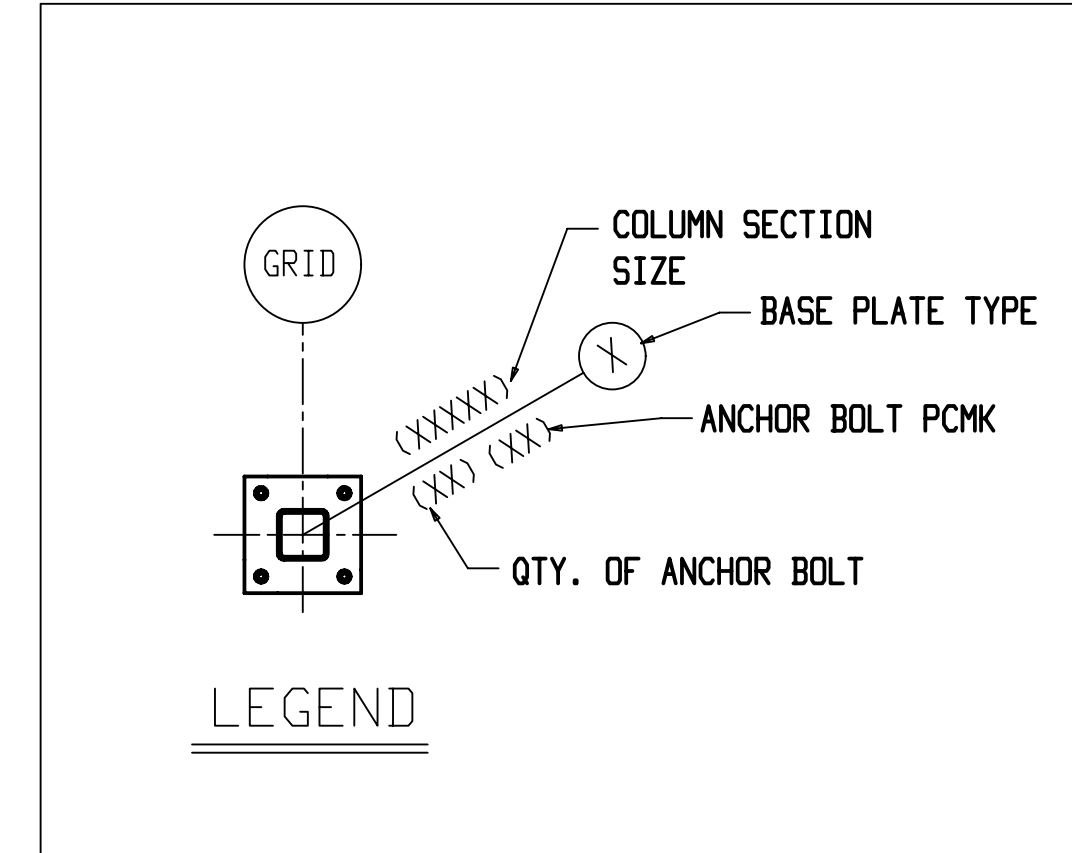
REFER THIS SHEET WITH AB3

**SAMPLE DRAWING  
FOR COMMERCIAL**

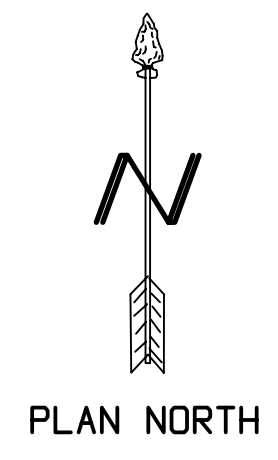




PROJECT KEY PLAN

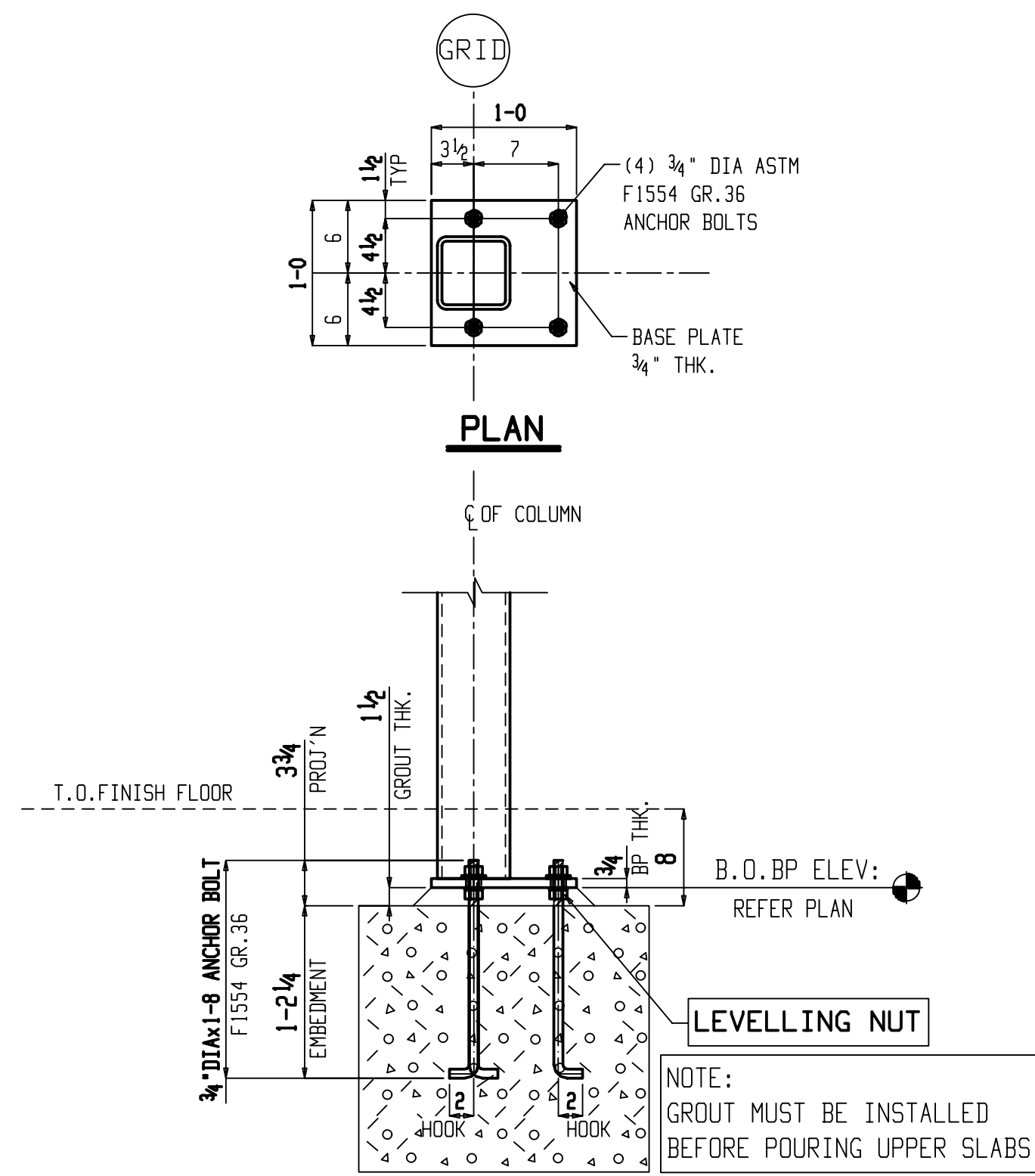


REFER THIS SHEET WITH AB3



ANCHOR BOLT SETTING PLAN BLDG-B  
B.O.BP. ELEVATION: 206-9¼ (U.N.O)

**SAMPLE DRAWING  
FOR COMMERCIAL**

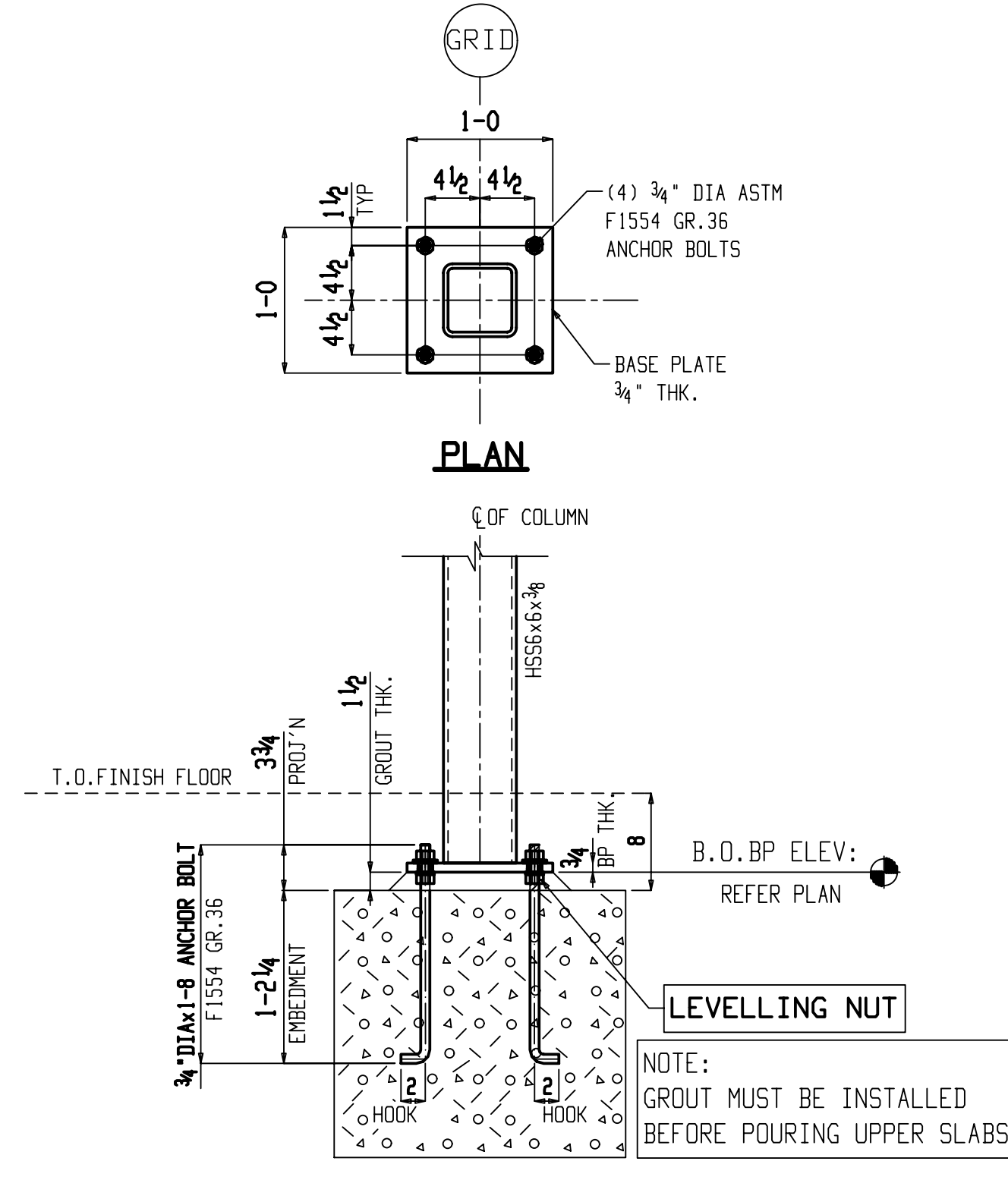


**AB DETAIL-A**

REF: 2/S3.1 A&B

NOTE: FOR COLUMN ORIENTATION REFER PLAN

AT 44 LOCATIONS IN BLDG A  
AT 26 LOCATIONS IN BLDG B

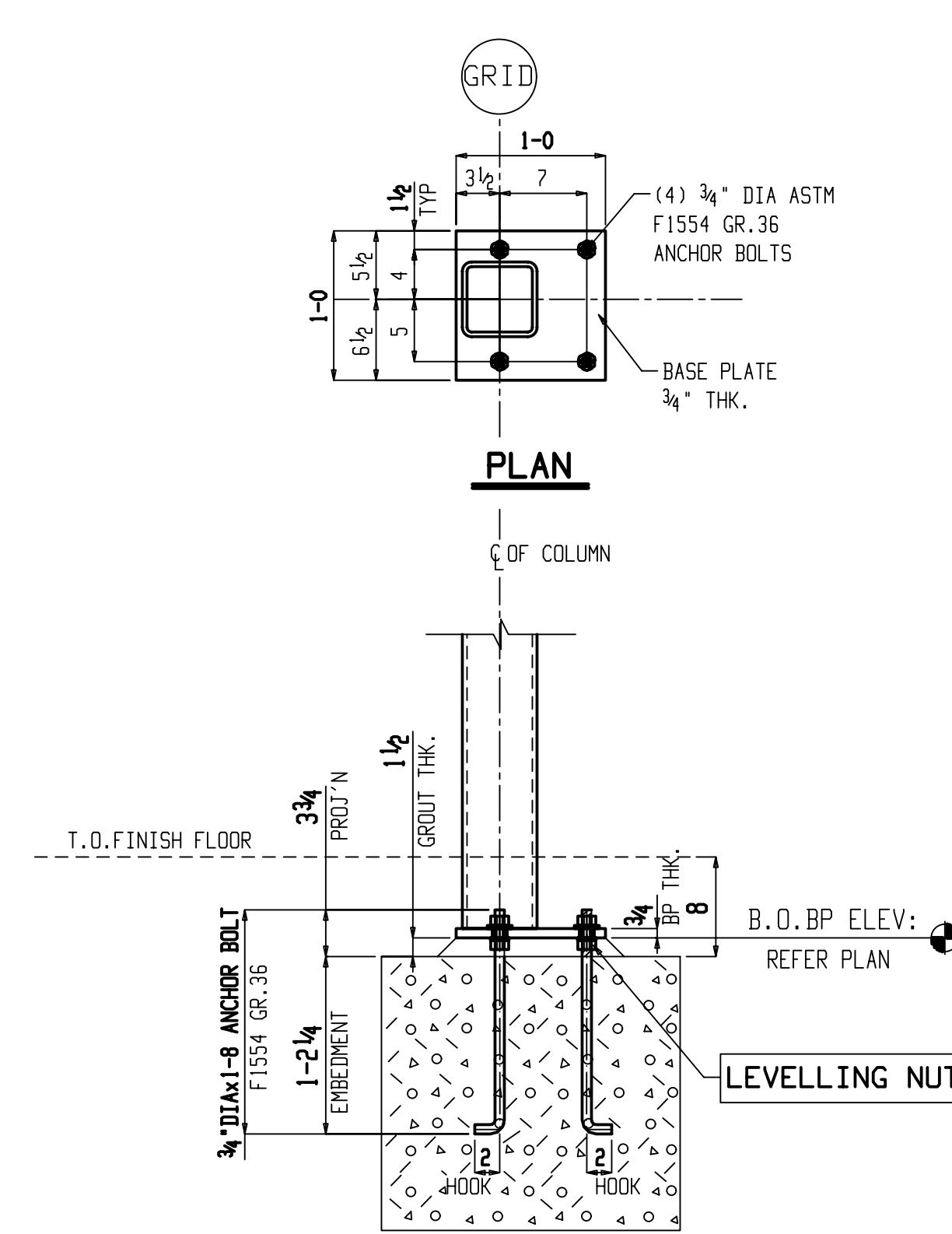


**AB DETAIL-B**

REF: 5/S3.1 A&B

NOTE: FOR COLUMN ORIENTATION REFER PLAN

AT 14 LOCATIONS IN BLDG A  
AT 3 LOCATIONS IN BLDG B

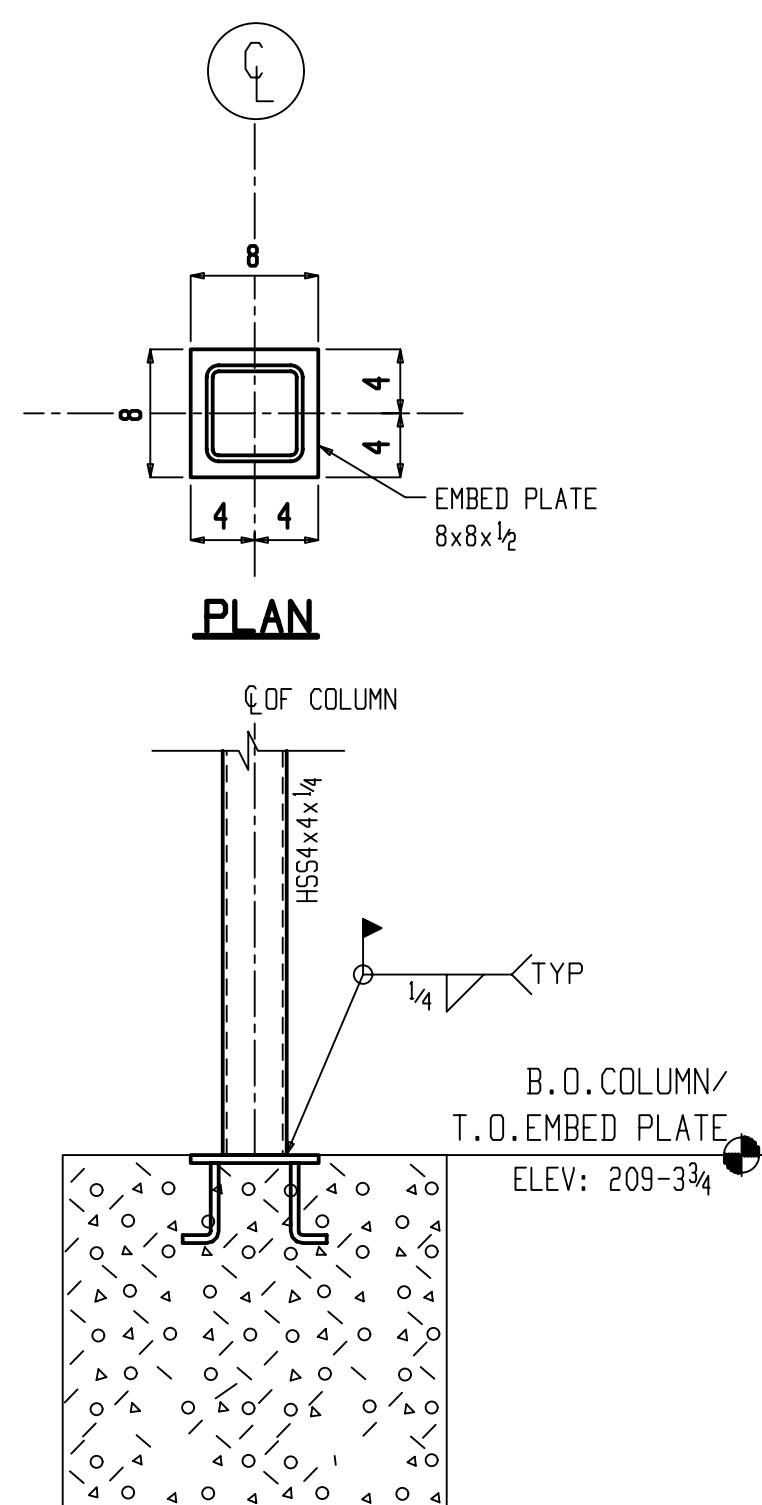


**AB DETAIL-C**

REF: 3/S3.1 A&B

NOTE: FOR COLUMN ORIENTATION REFER PLAN

AT 2 LOCATIONS IN BLDG A

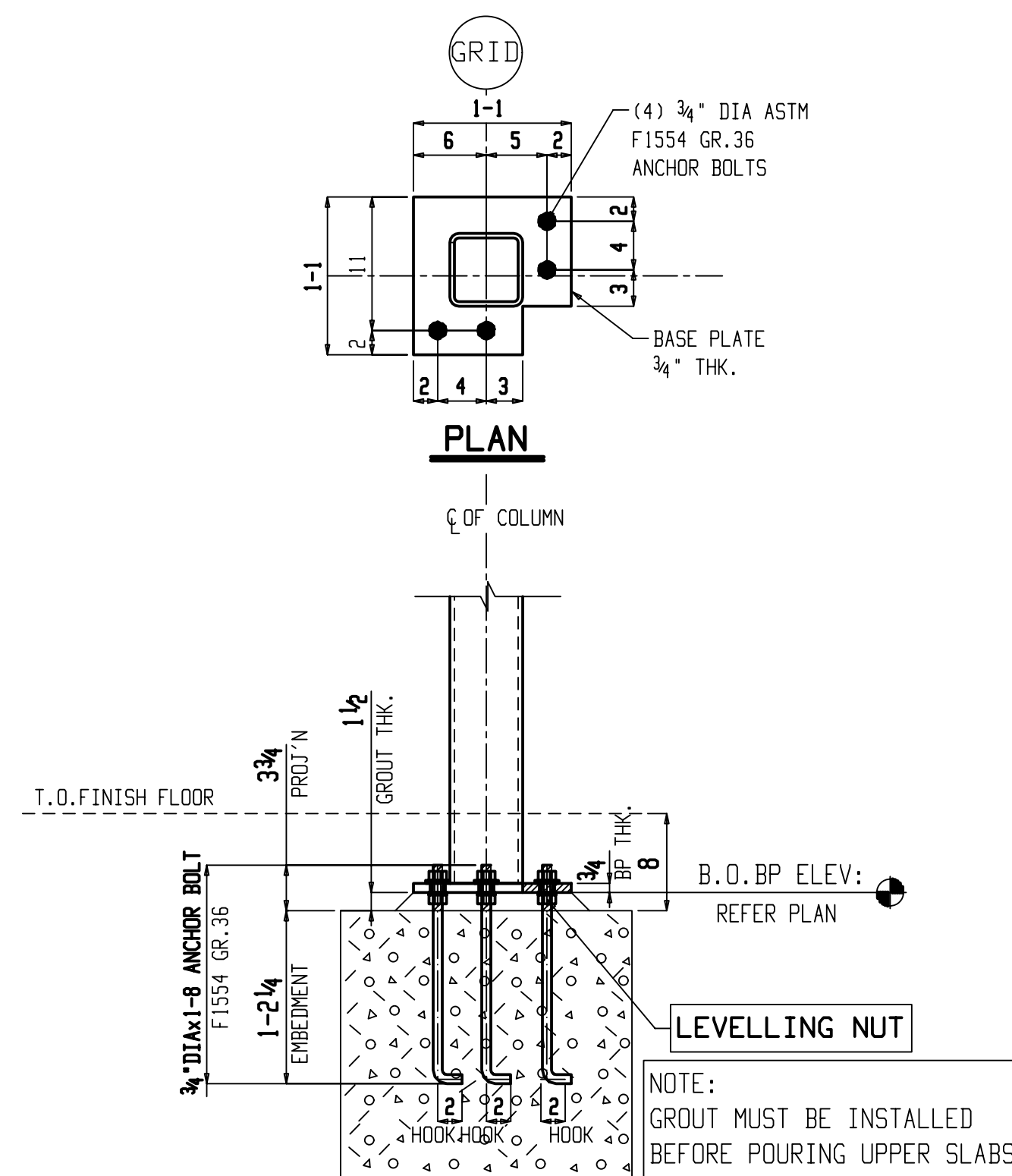


**EMBED PLAE DETAIL-D**

REF: 6/S3.2 A&B

NOTE: FOR COLUMN ORIENTATION REFER PLAN

AT 4 LOCATIONS IN BLDG A

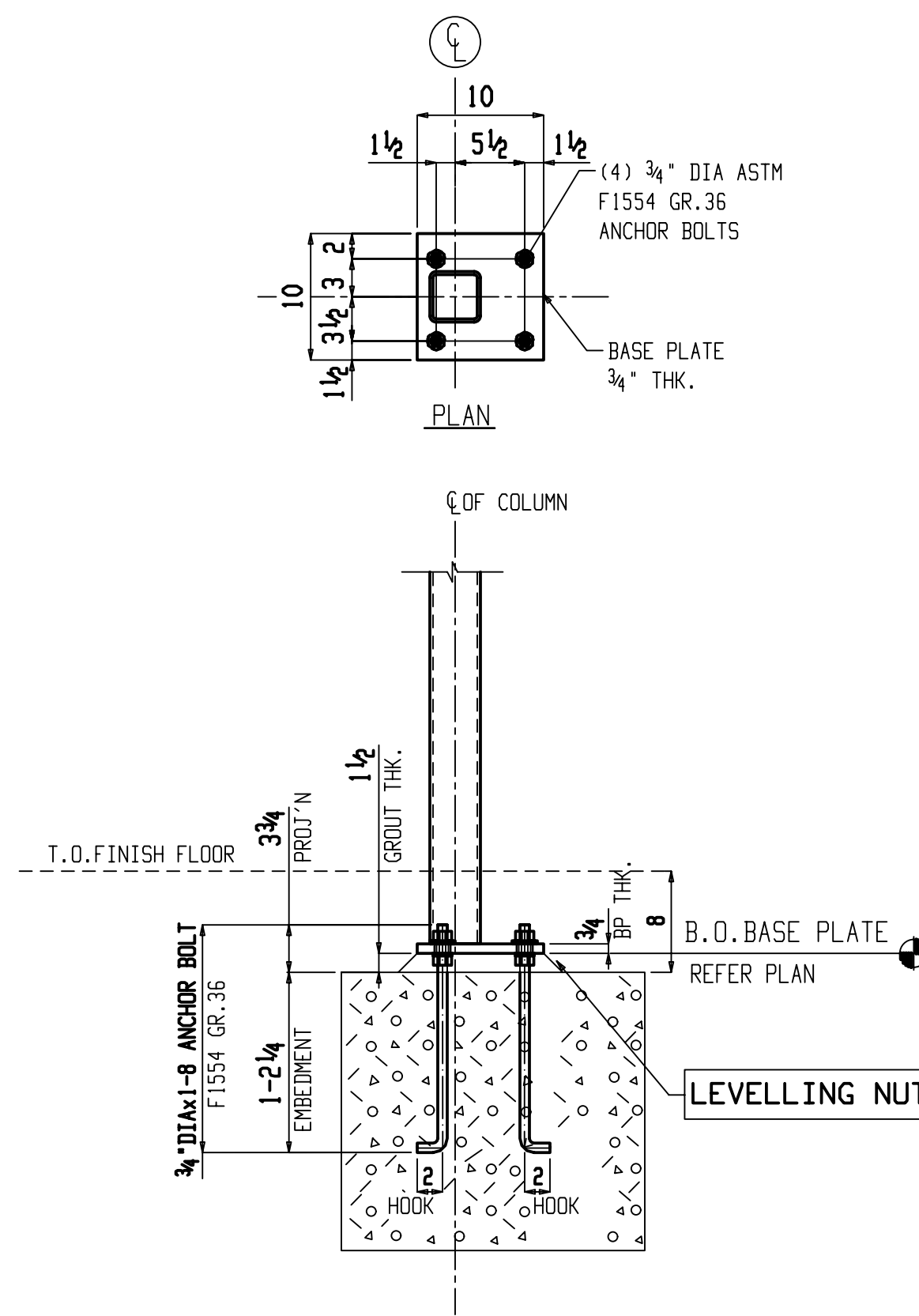


**AB DETAIL-E**

REF: 2/S3.2 A&B

NOTE: FOR COLUMN ORIENTATION REFER PLAN

AT 4 LOCATIONS IN BLDG A



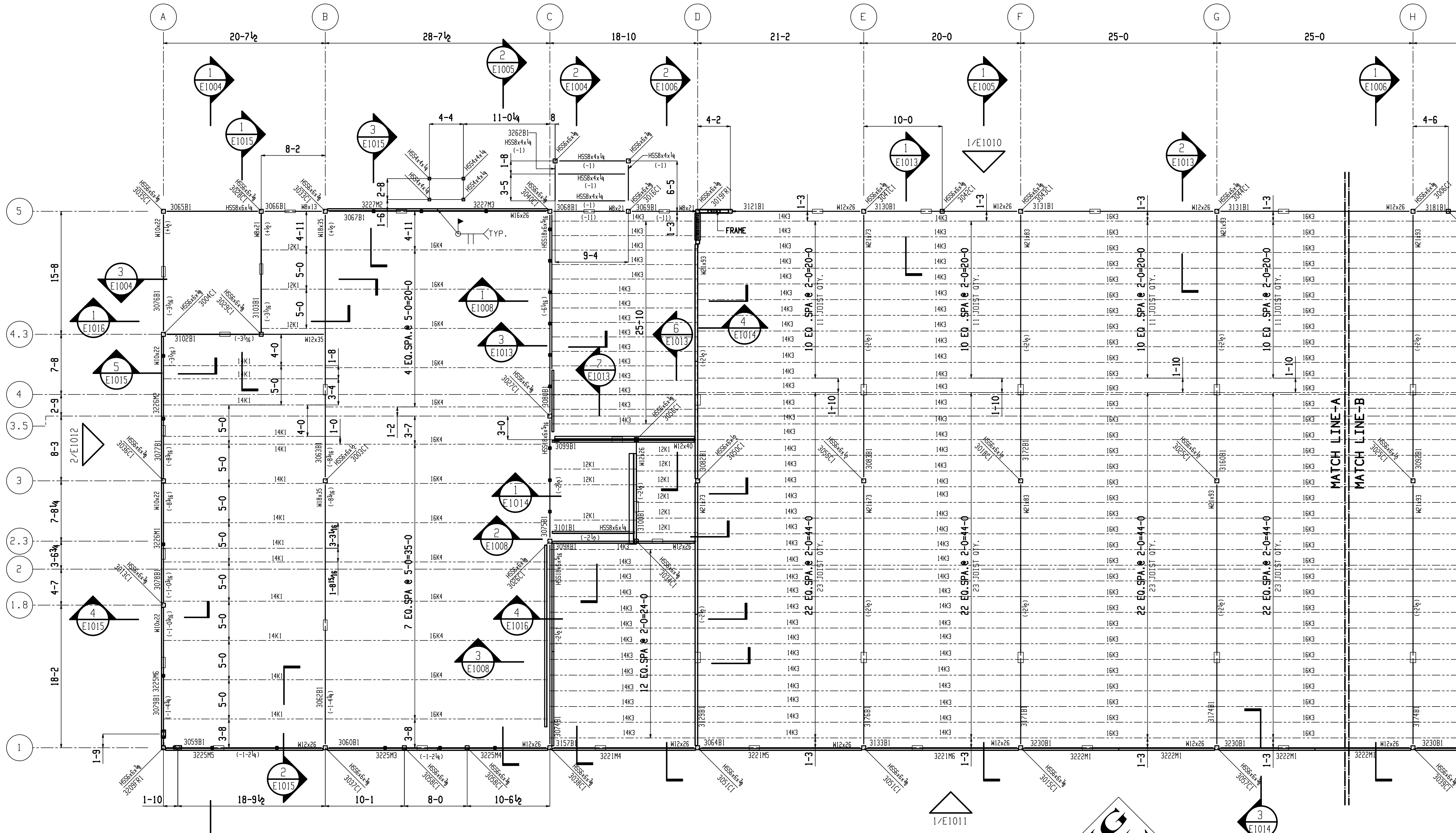
**AB DETAIL-F**

REF: 8/S3.2 A&B

NOTE: FOR COLUMN ORIENTATION REFER PLAN

AT 4 LOCATIONS IN BLDG A

**SAMPLE DRAWING  
FOR COMMERCIAL**



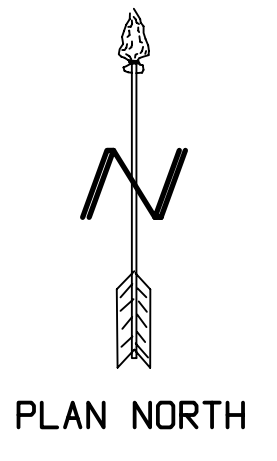
2ND LOW ROOF FRAMING PLAN BLDG 'A'

T.O. STEEL ELEVATION: 225-03/4 (U.N.O)

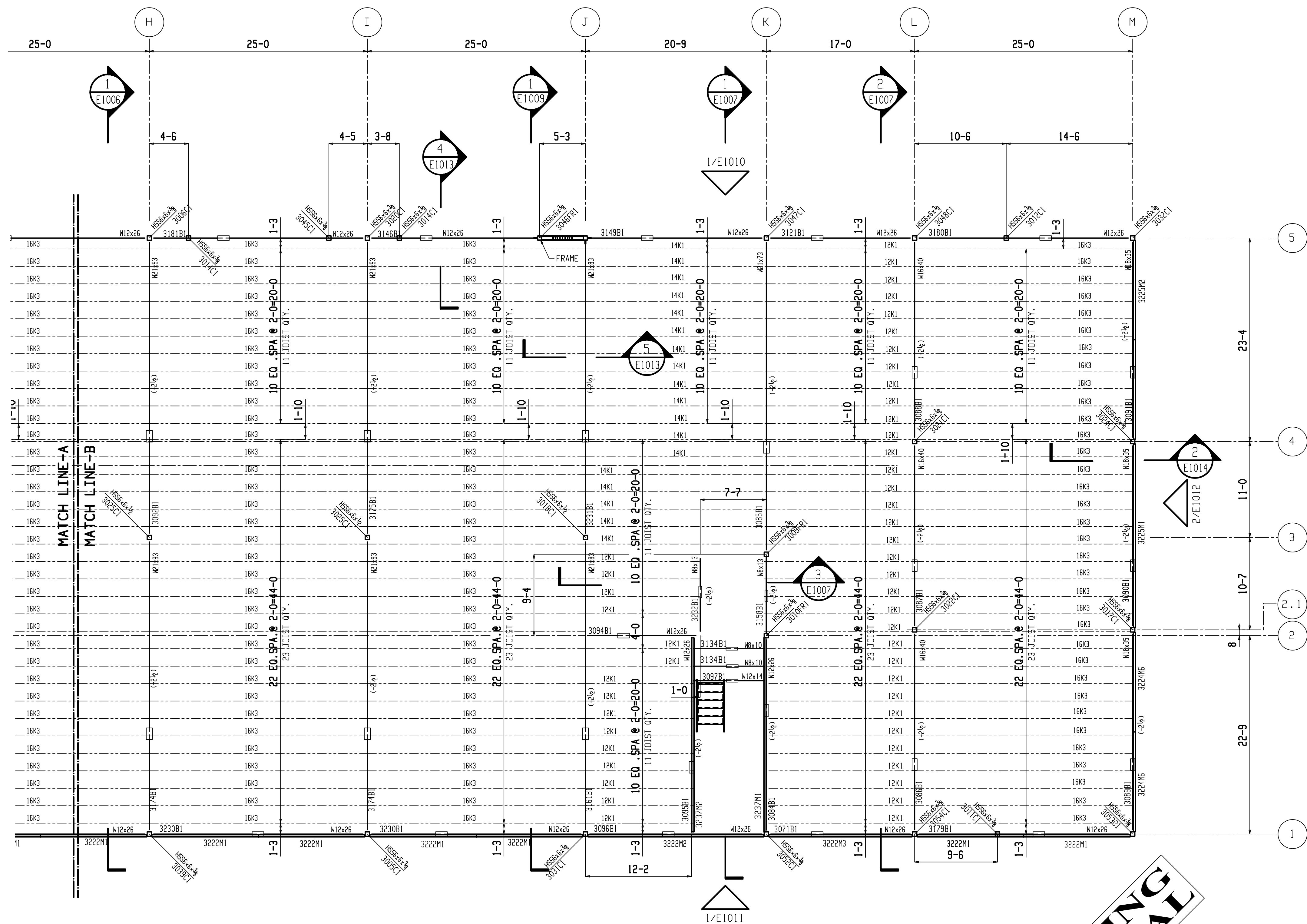
REF. 1/S1.2A

- NOTE:
1. ALL DECK SUPPORT MISC ANGLES TO BE CUT TO SUIT ON FIELD
  2. FOR MISC STEEL REFER E1003

**SAMPLE DRAWING  
FOR COMMERCIAL**



PLAN NORTH



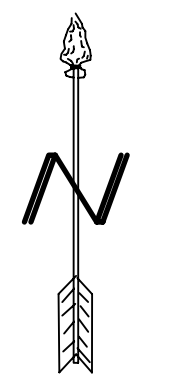
2ND LOW ROOF FRAMING PLAN BLDG 'A'

T.O. STEEL ELEVATION: 225-0<sup>3</sup>/<sub>4</sub> (U.N.O)

REF. 1/S1.2A

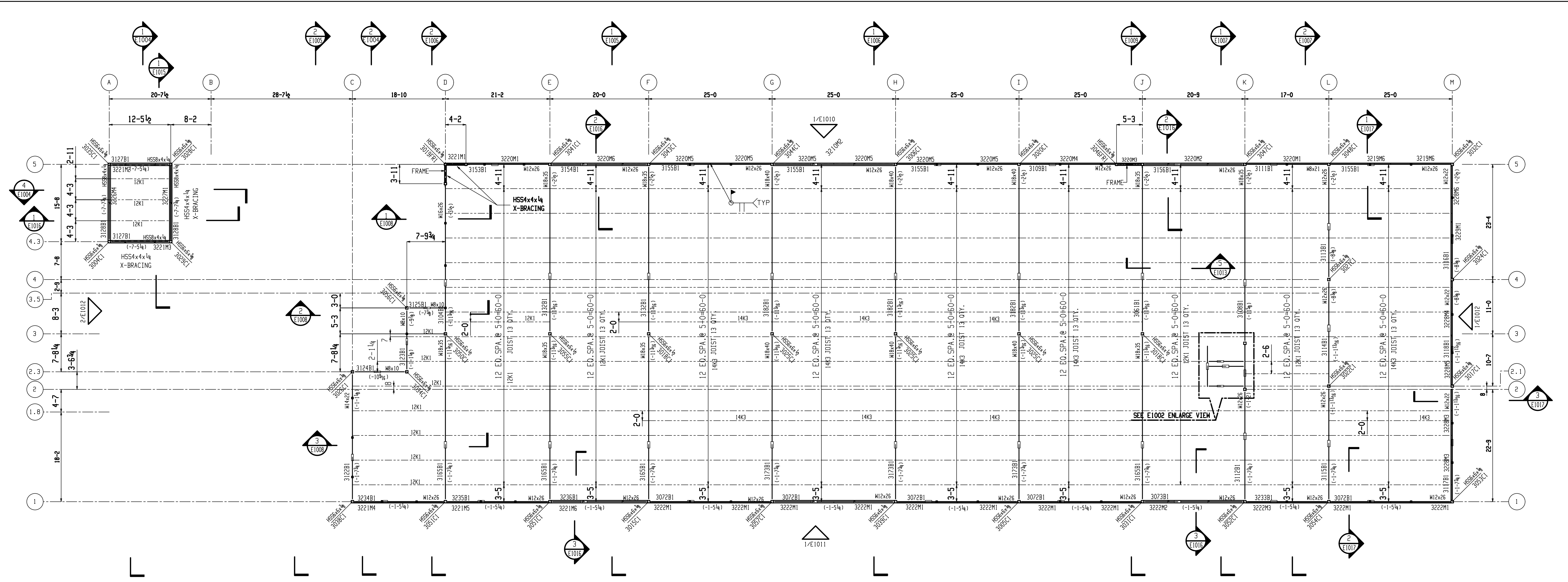
NOTE:

1. ALL DECK SUPPORT MISC ANGLES TO BE CUT TO SUIT ON FIELD
2. FOR MISC STEEL REFER E1003



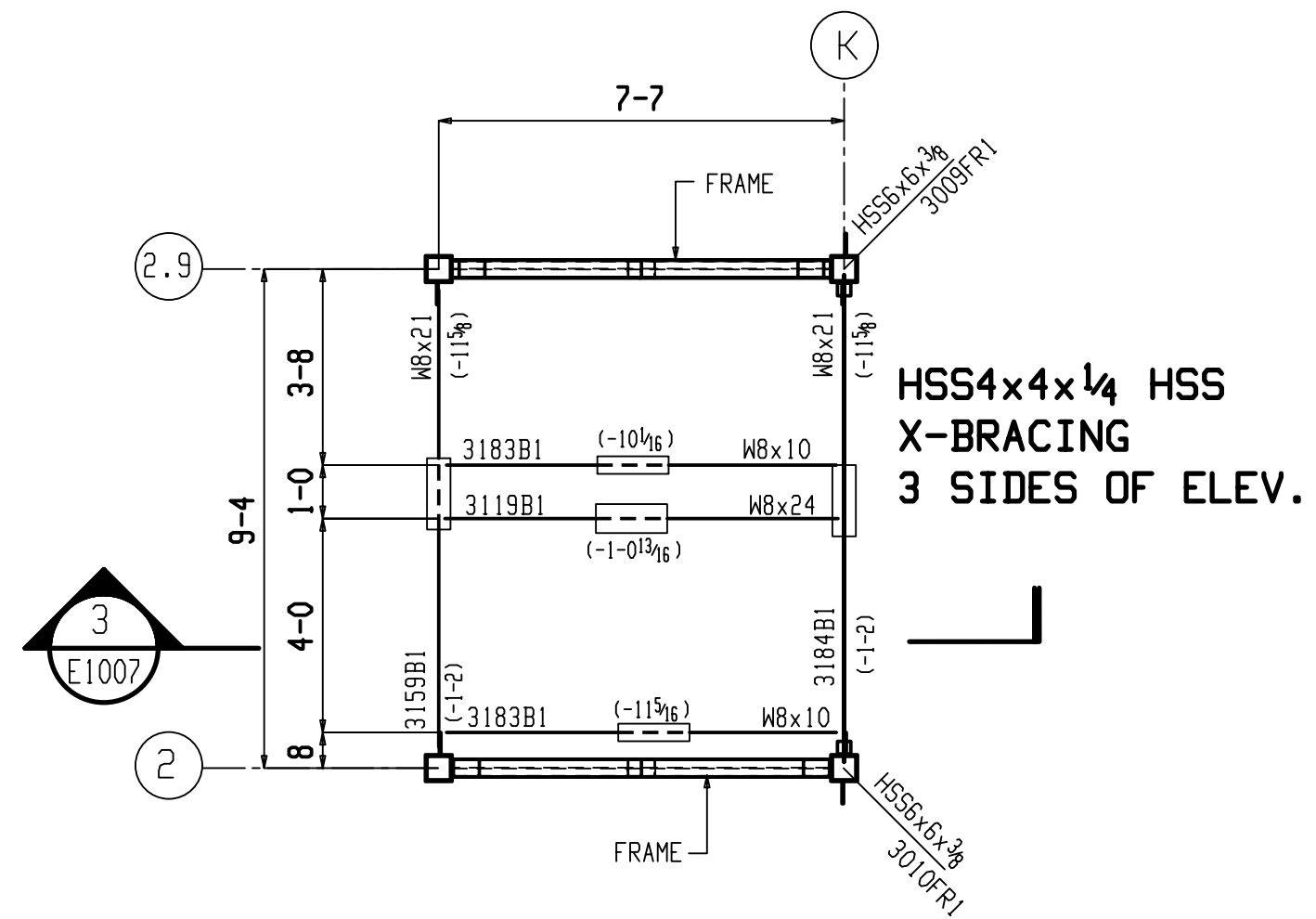
PLAN NORTH

SAMPLE DRAWING  
FOR COMMERCIAL



**HIGH ROOF FRAMING PLAN BLDG 'A'**  
 T.O.STEEL.ELEV: 240-9 (U.N.O)  
 REF. 1/S1.3

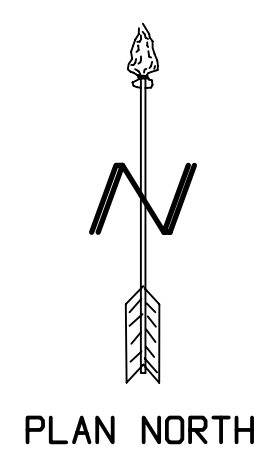
NOTE:  
 1. ALL DECK SUPPORT MISC ANGLES TO BE CUT TO SUIT ON FIELD  
 2. FOR MISC STEEL REFER E1003



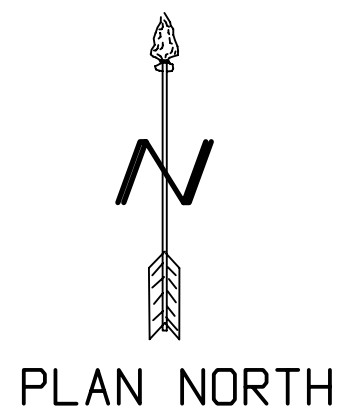
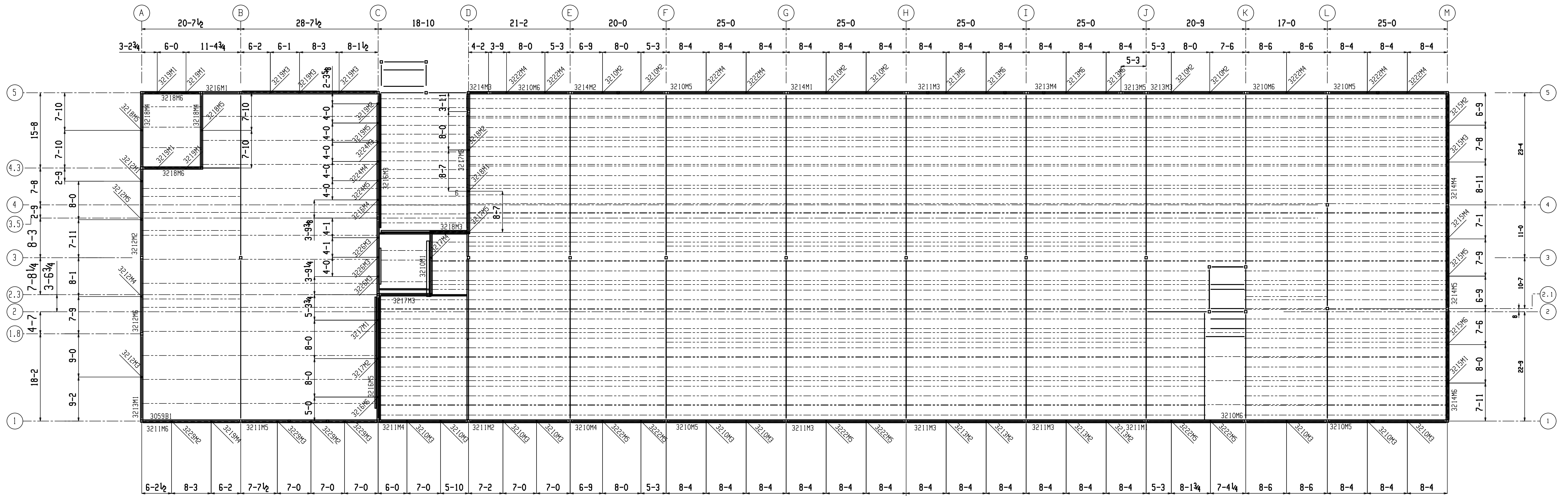
**HIGH ROOF FRAMING PLAN ENLARGE VIEW**  
 T.O.STEEL.ELEV: 240-9 (U.N.O)  
 REF. 1/S1.3

NOTE:  
 1. ALL DECK SUPPORT MISC ANGLES TO BE CUT TO SUIT ON FIELD  
 2. FOR MISC STEEL REFER E1003

**SAMPLE DRAWING  
 FOR COMMERCIAL**







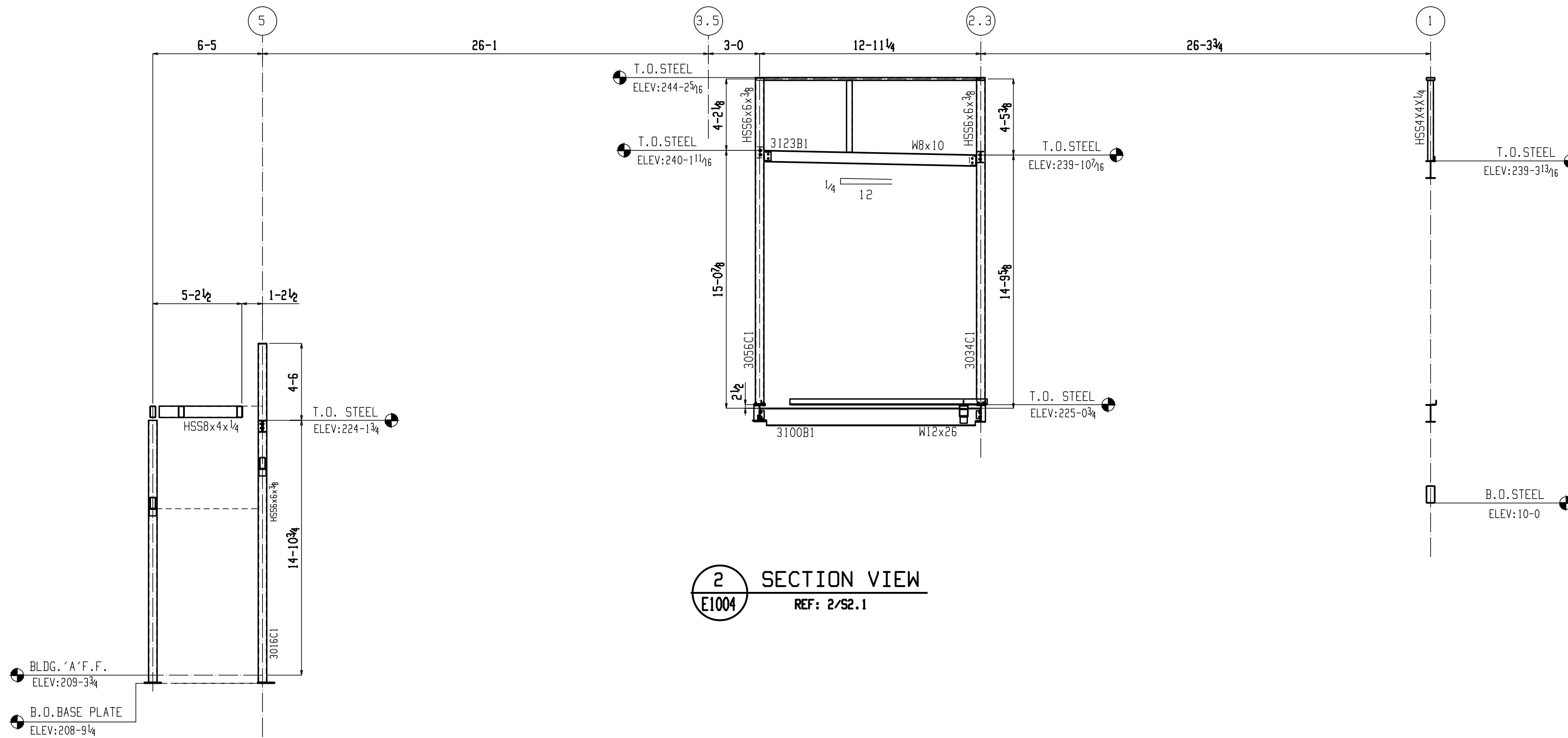
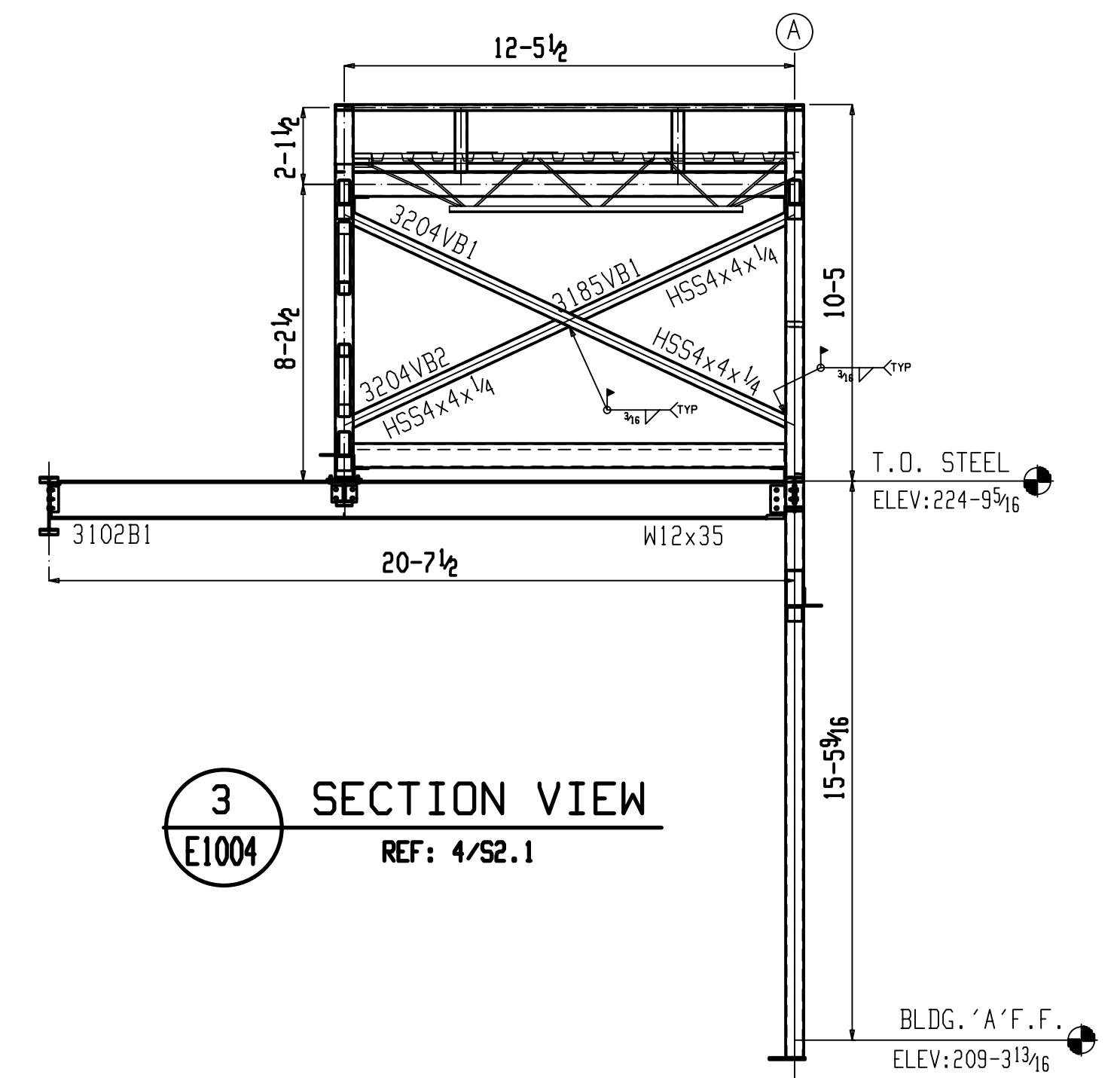
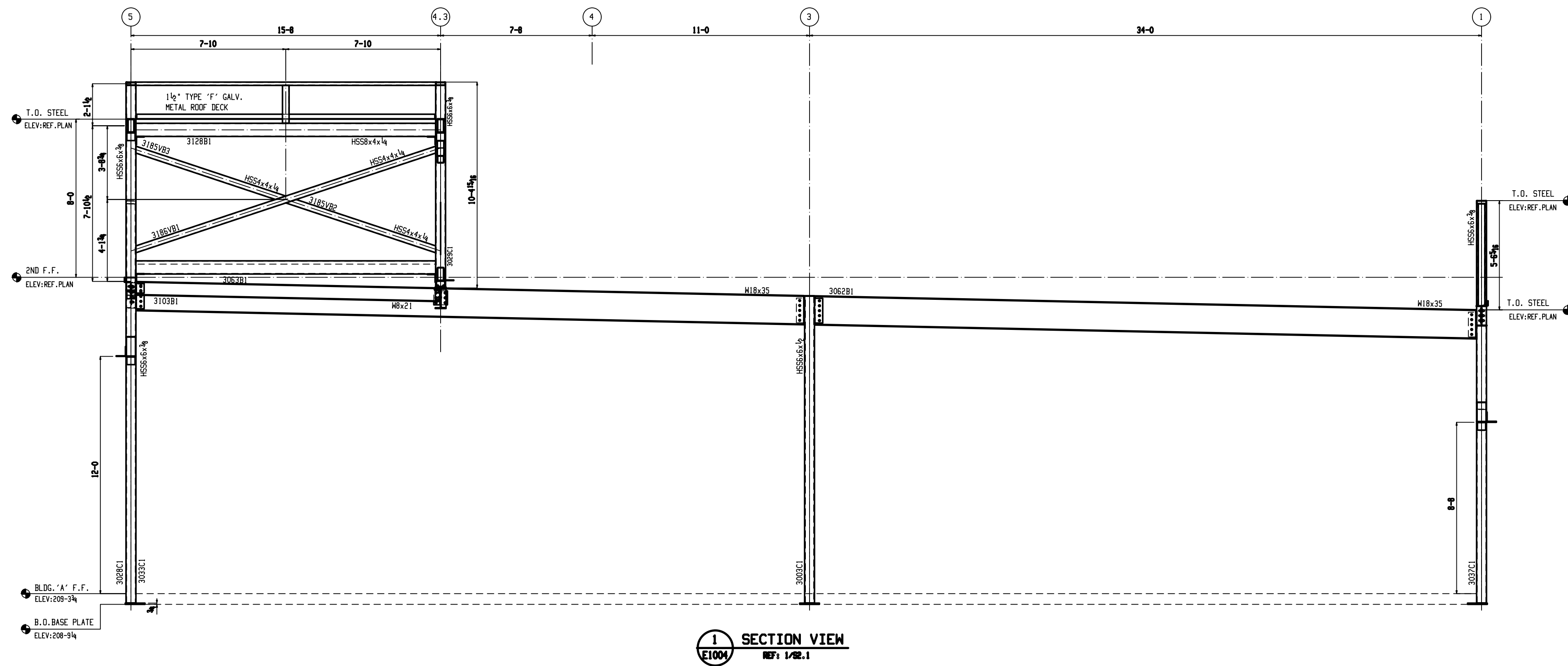
**2ND FLOOR LOW ROOF & HIGH ROOF MISC PLAN**

REF. 1/S1.3 & 1/S1.2A

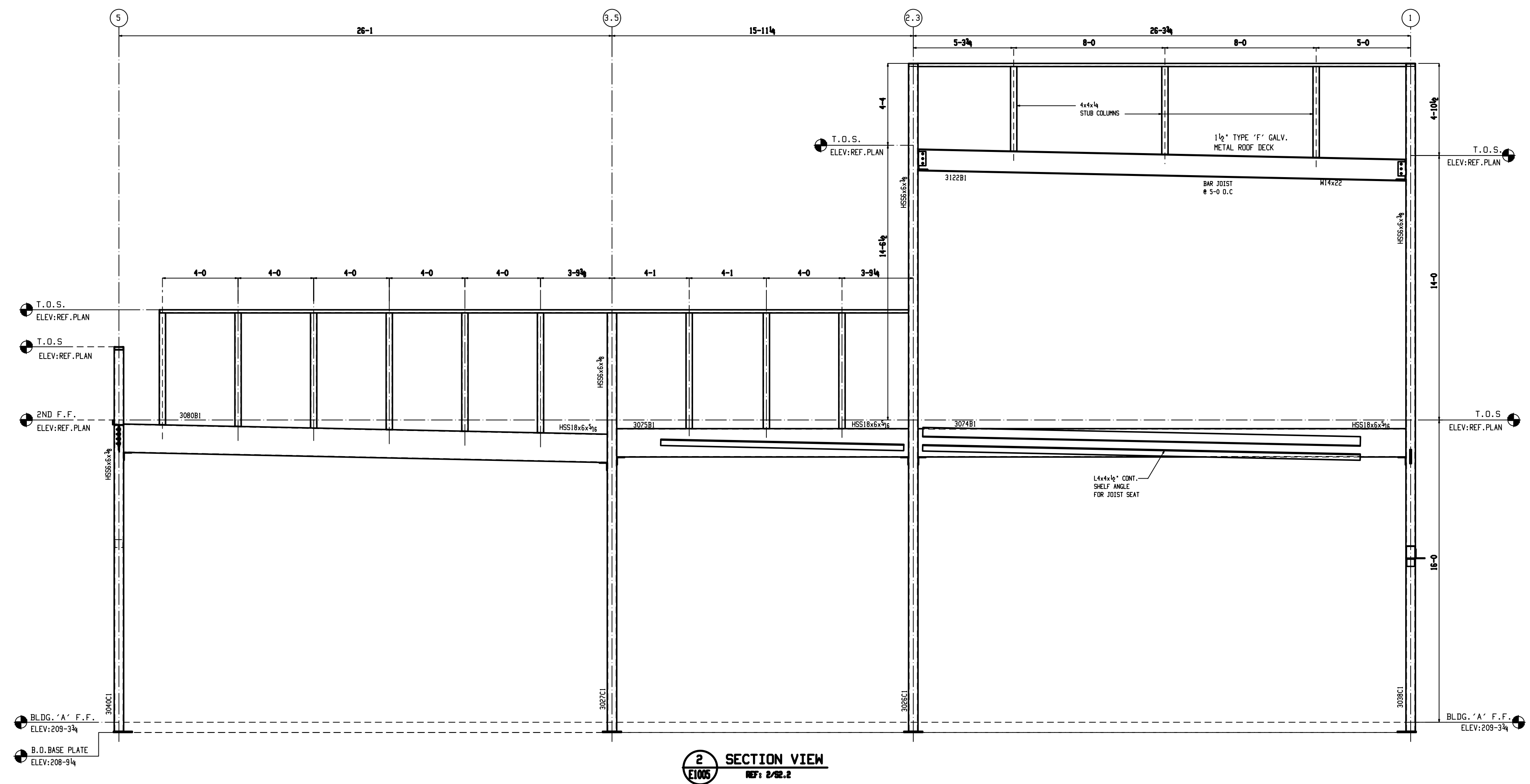
- NOTE:
1. ALL DECK SUPPORT MISC ANGLES TO BE CUT TO SUIT ON FIELD
  2. FOR MISC STEEL ELEVATIONS REFER ELEVATIONS VIEWS

**SAMPLE DRAWING  
FOR COMMERCIAL**

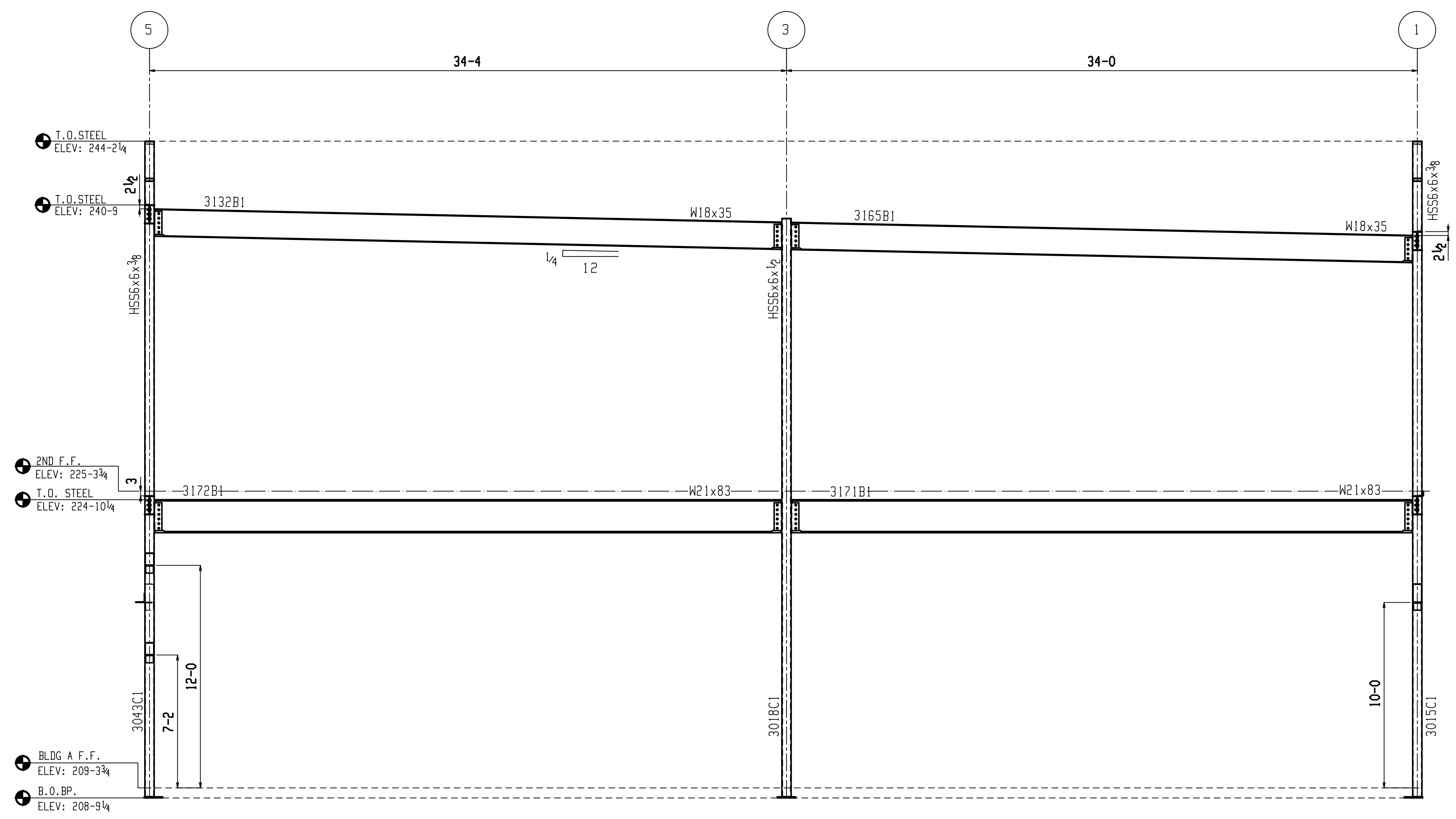




**SAMPLE DRAWING  
FOR COMMERCIAL**

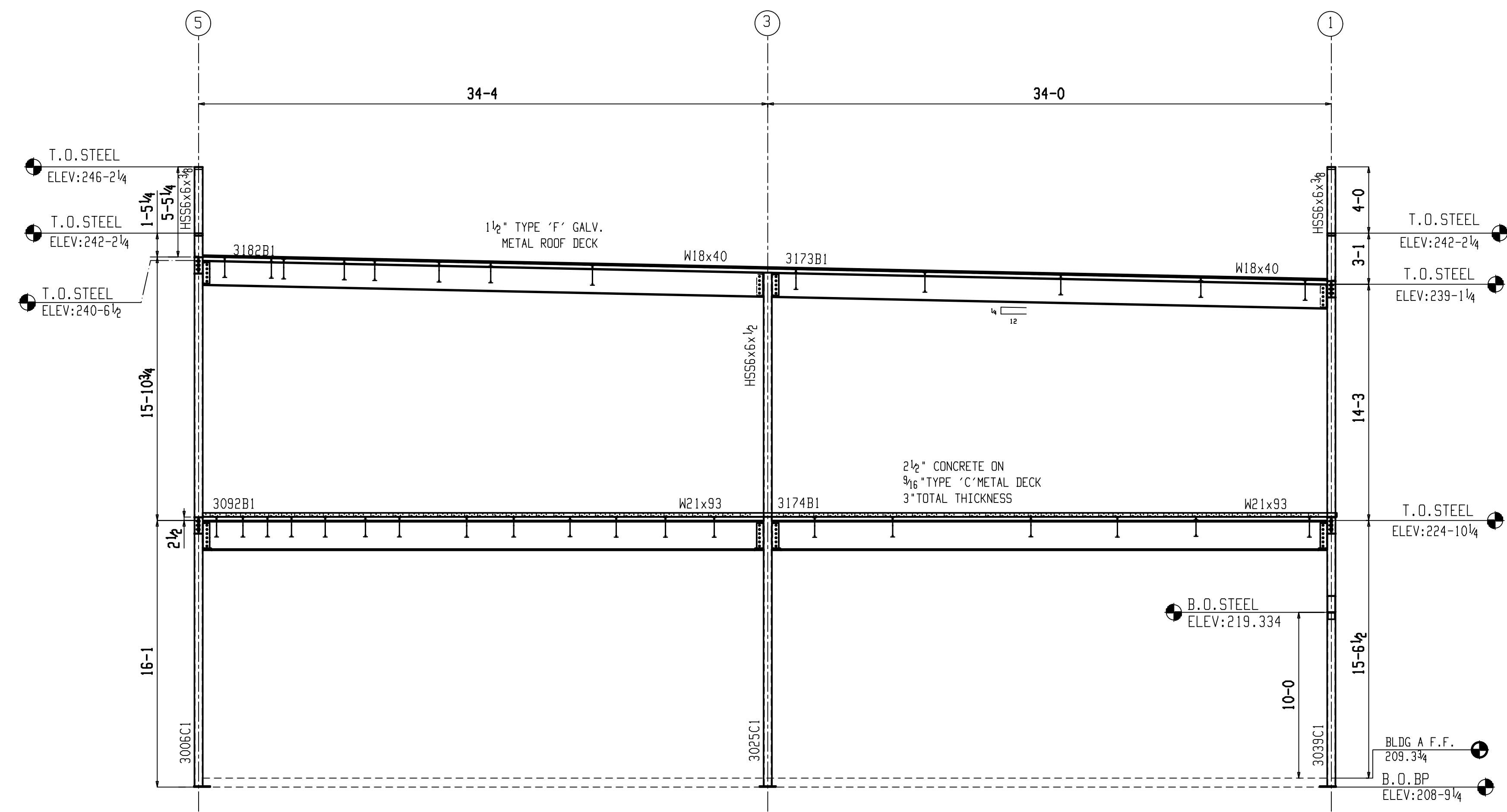


2 SECTION VIEW  
E1005 REF: 2/22.2

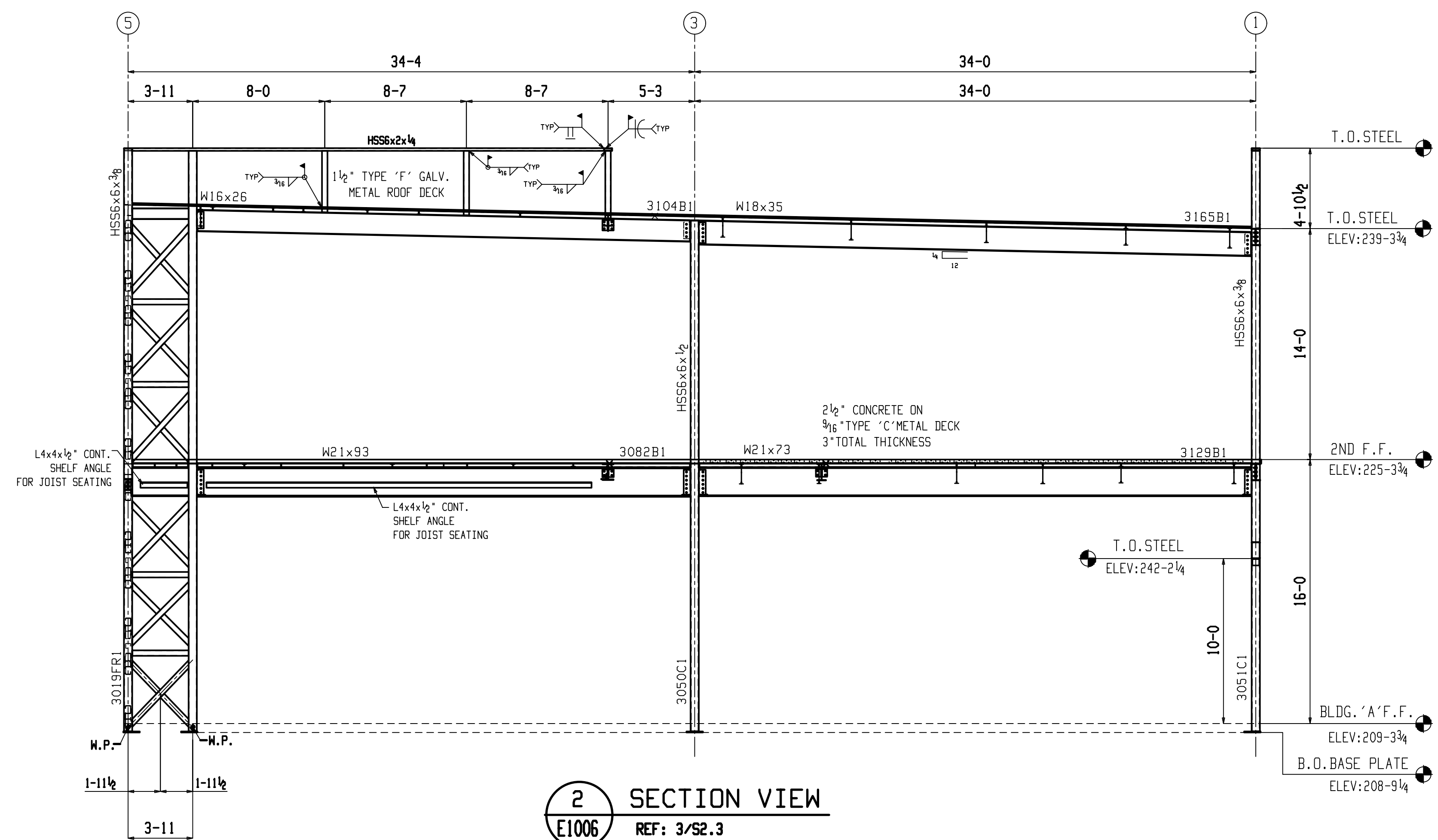


1 SECTION VIEW  
E1005 REF: 1/52.2

SAMPLE DRAWING  
FOR COMMERCIAL

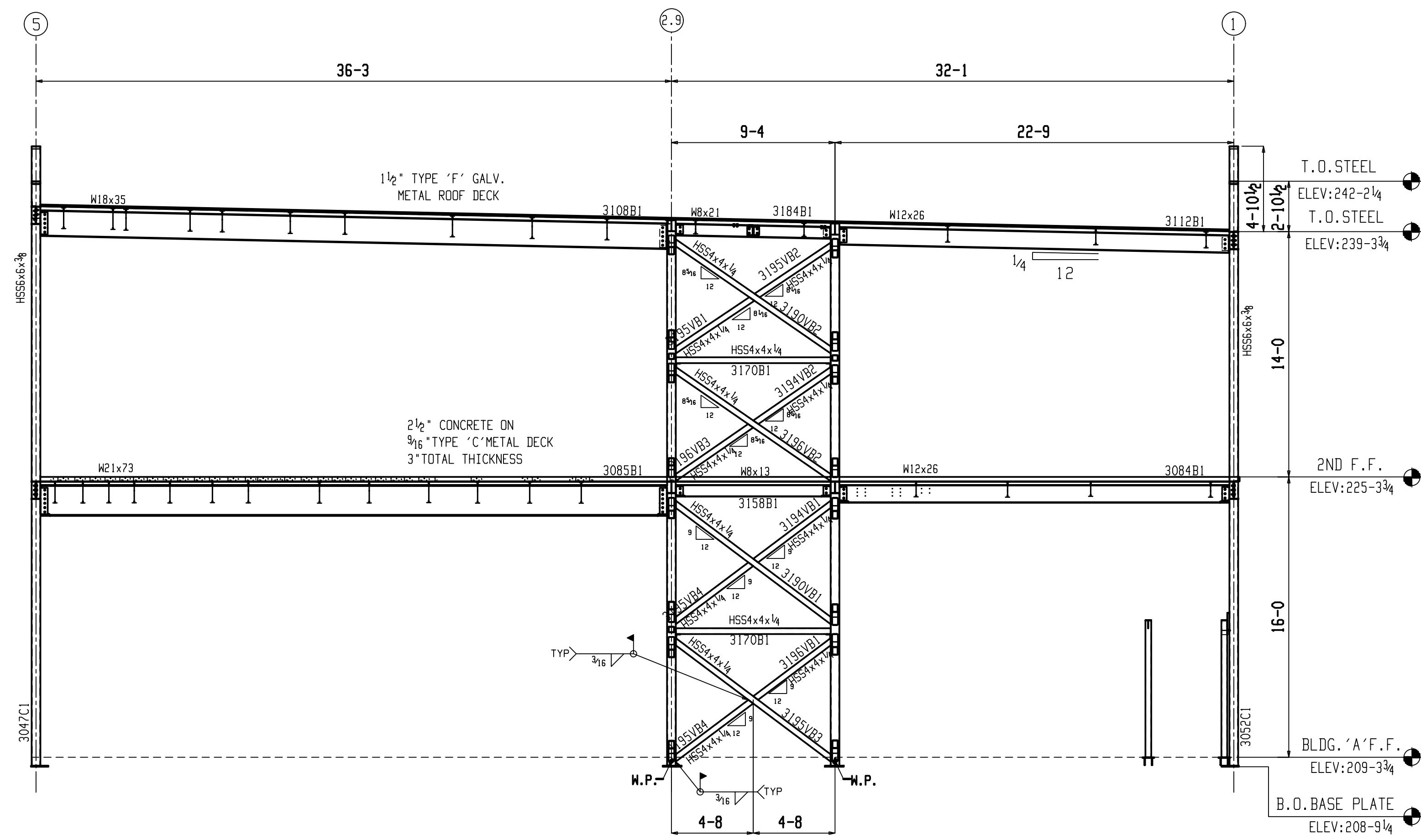


1 SECTION VIEW  
E1006 REF: 1/S2.3

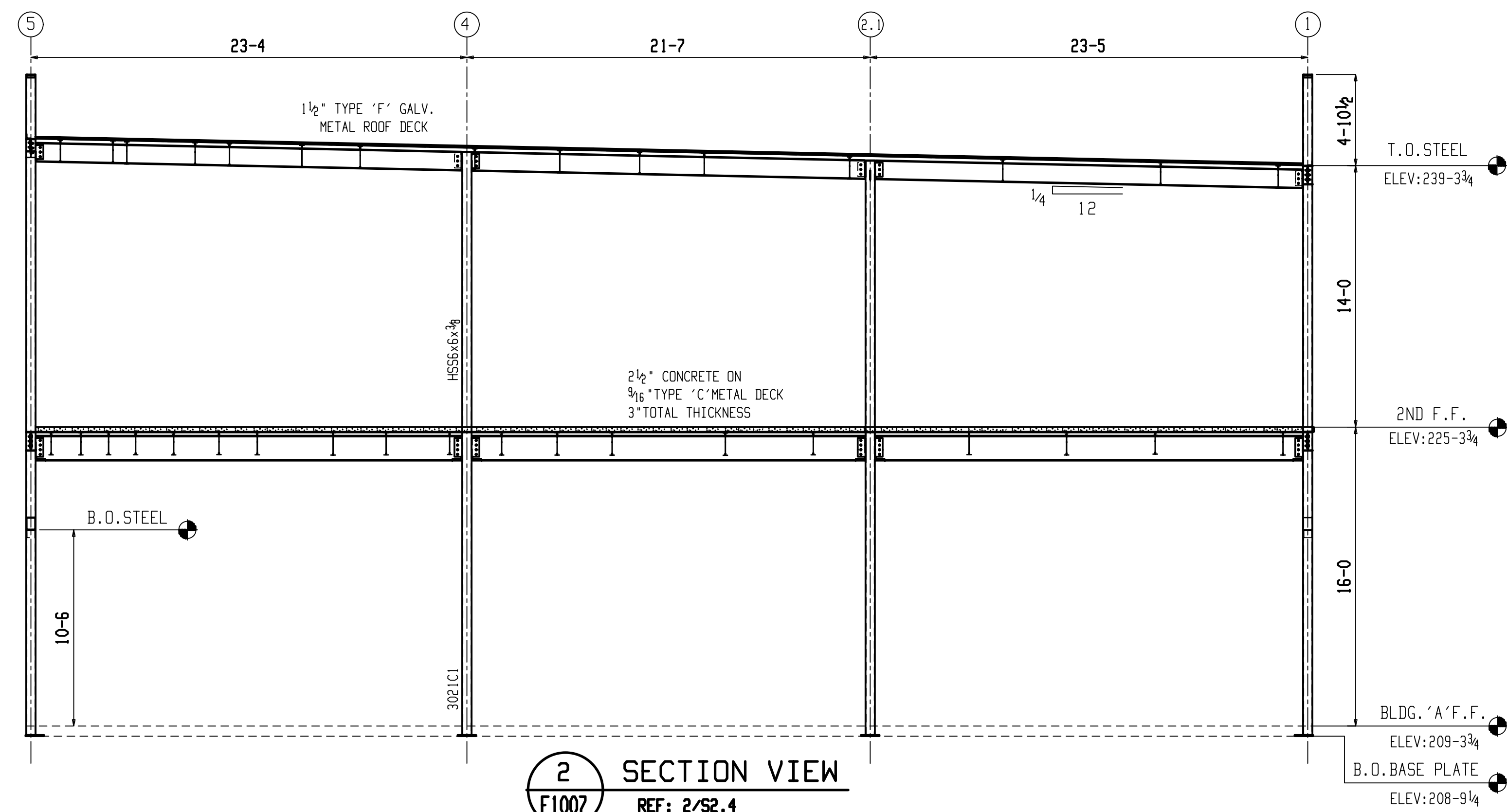


2 SECTION VIEW  
E1006 REF: 3/S2.3

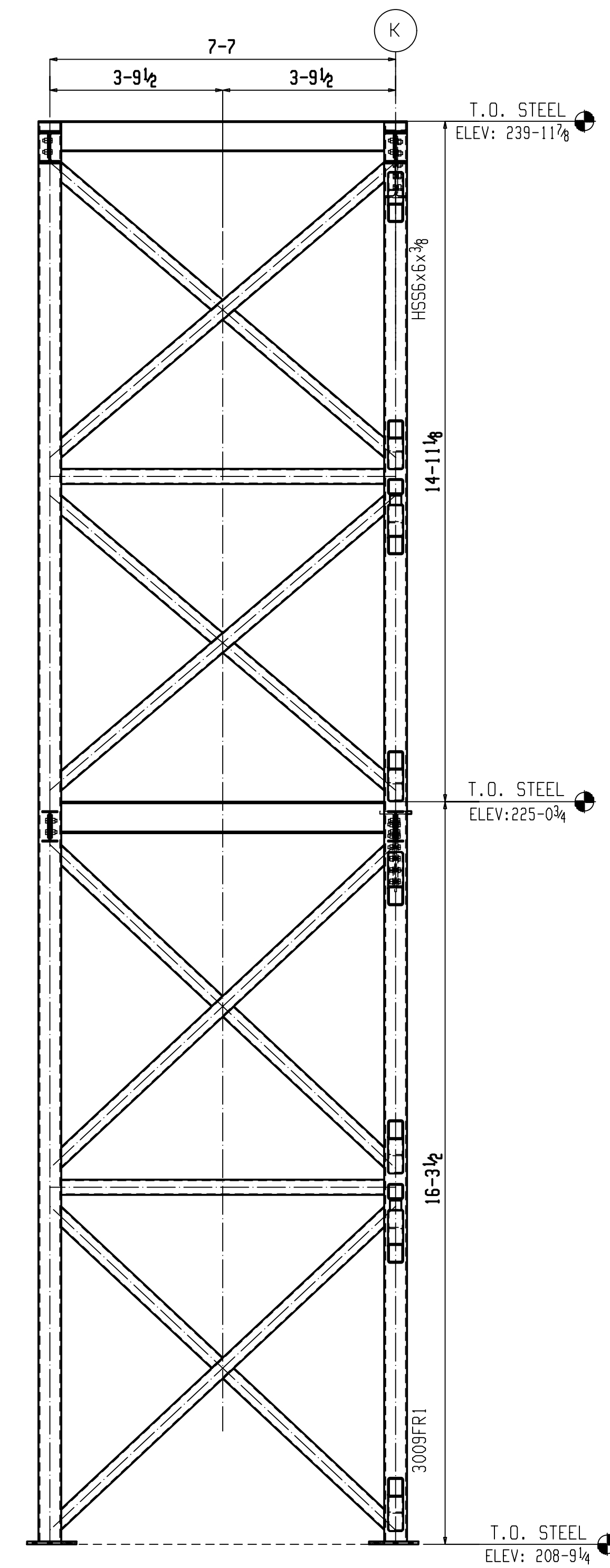
SAMPLE DRAWING  
FOR COMMERCIAL



**1 SECTION VIEW**  
 E1007 REF: 1/S2.4

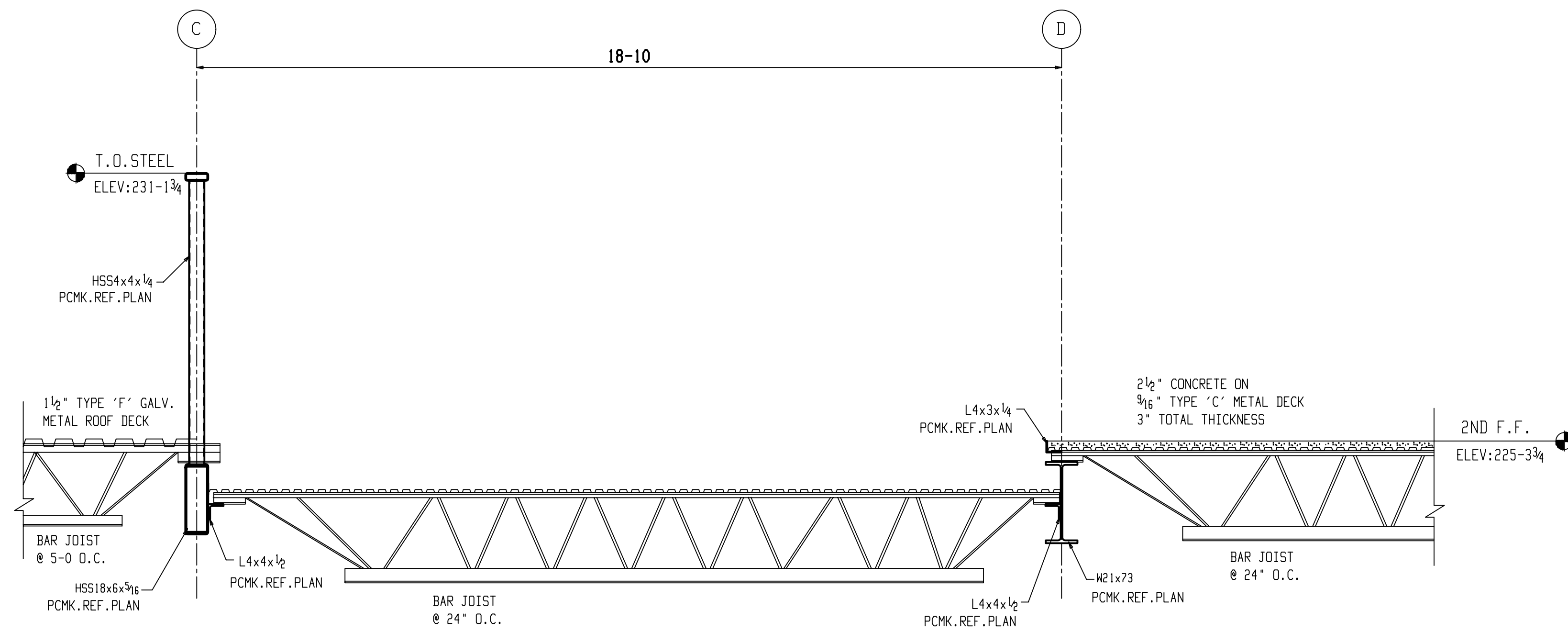


**2 SECTION VIEW**  
 E1007 REF: 2/S2.4

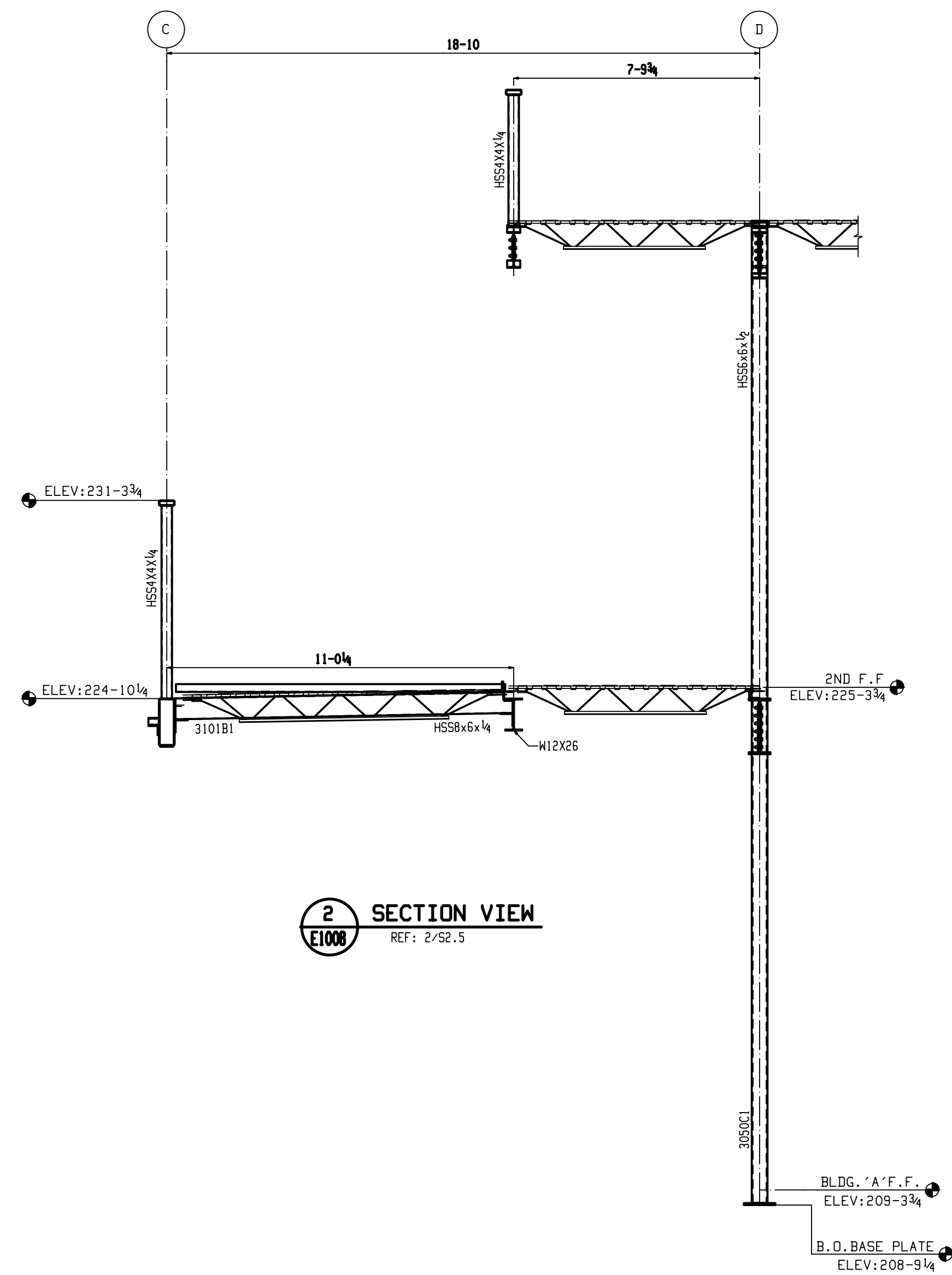


**3 SECTION VIEW**  
 E1007 REF: 4/S2.4

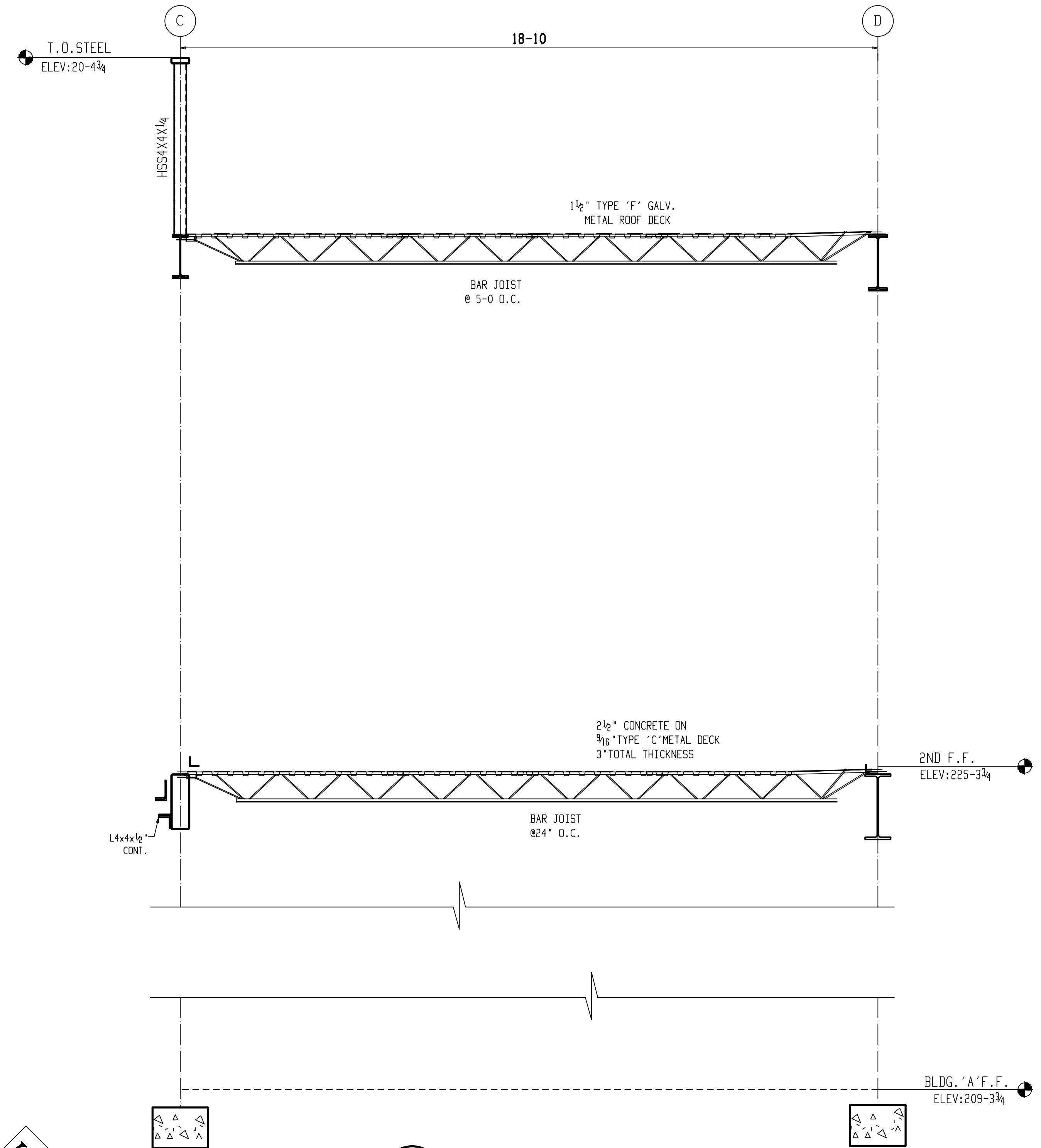
**SAMPLE DRAWING  
 FOR COMMERCIAL**



**1 SECTION VIEW**  
 E1008 REF: 1/S2.5



**2 SECTION VIEW**  
 E1008 REF: 2/S2.5



**3 SECTION VIEW**  
 E1008 REF: 3/S2.5

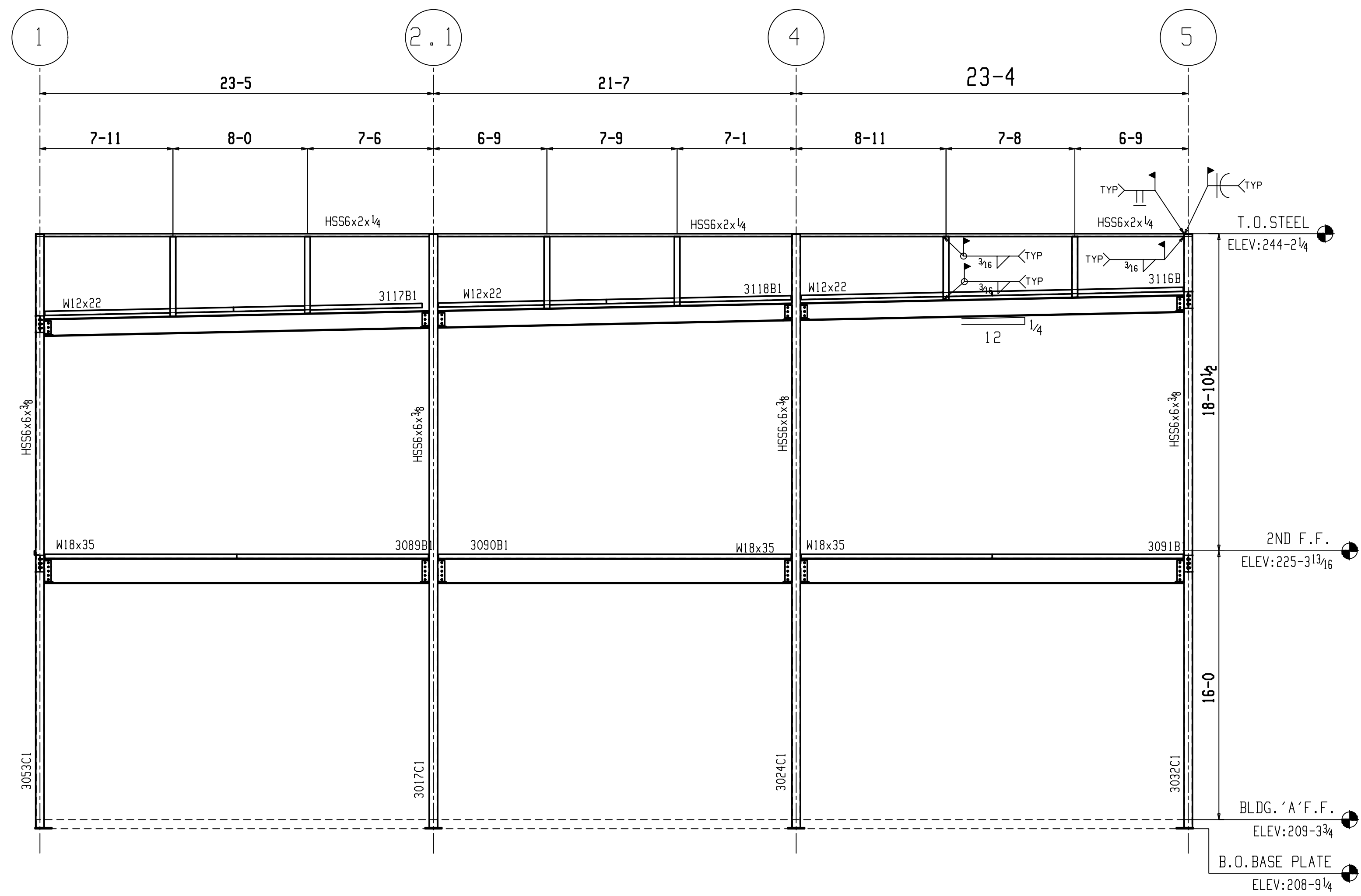
**SAMPLE DRAWING  
 FOR COMMERCIAL**



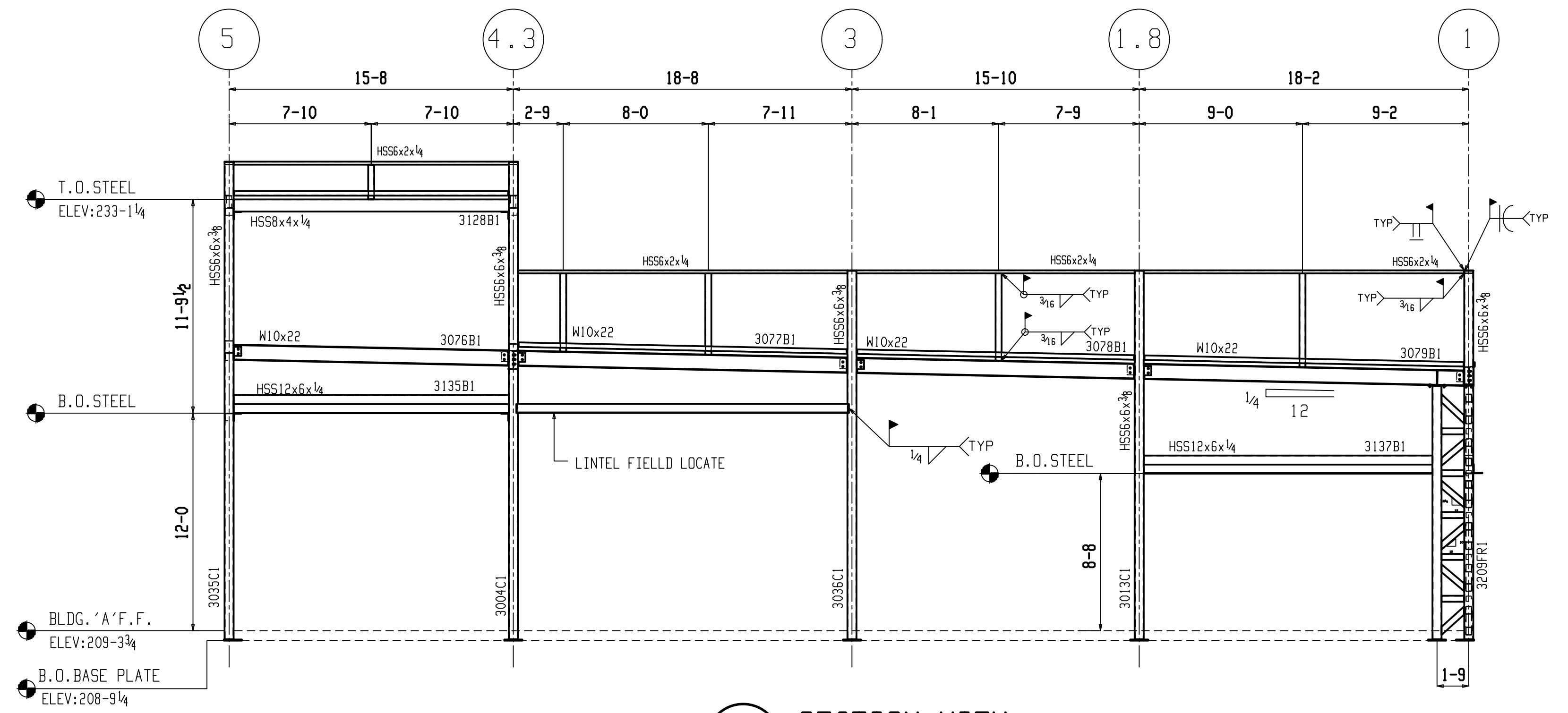






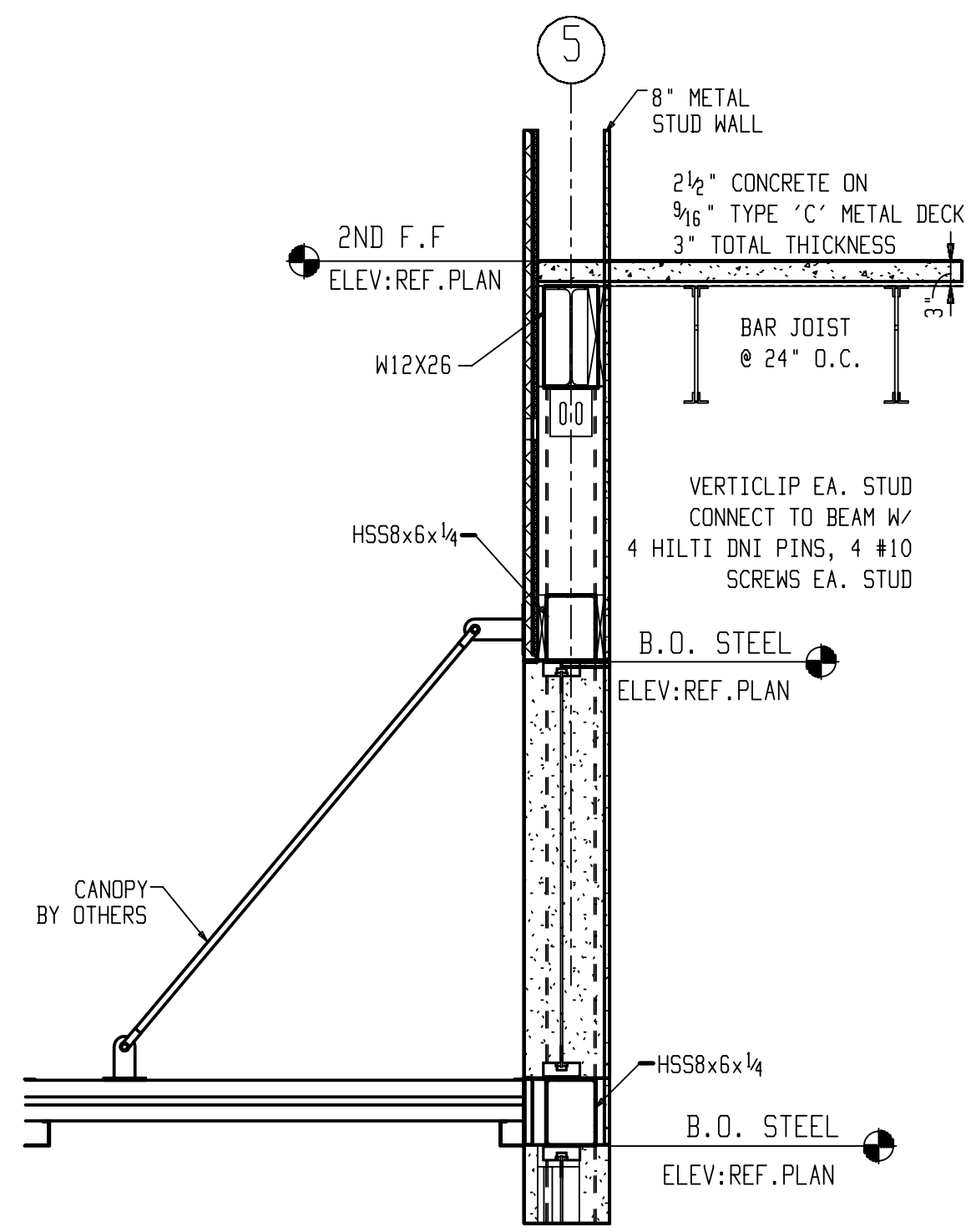


1 SECTION VIEW  
E1012 REF: 3/S2.9

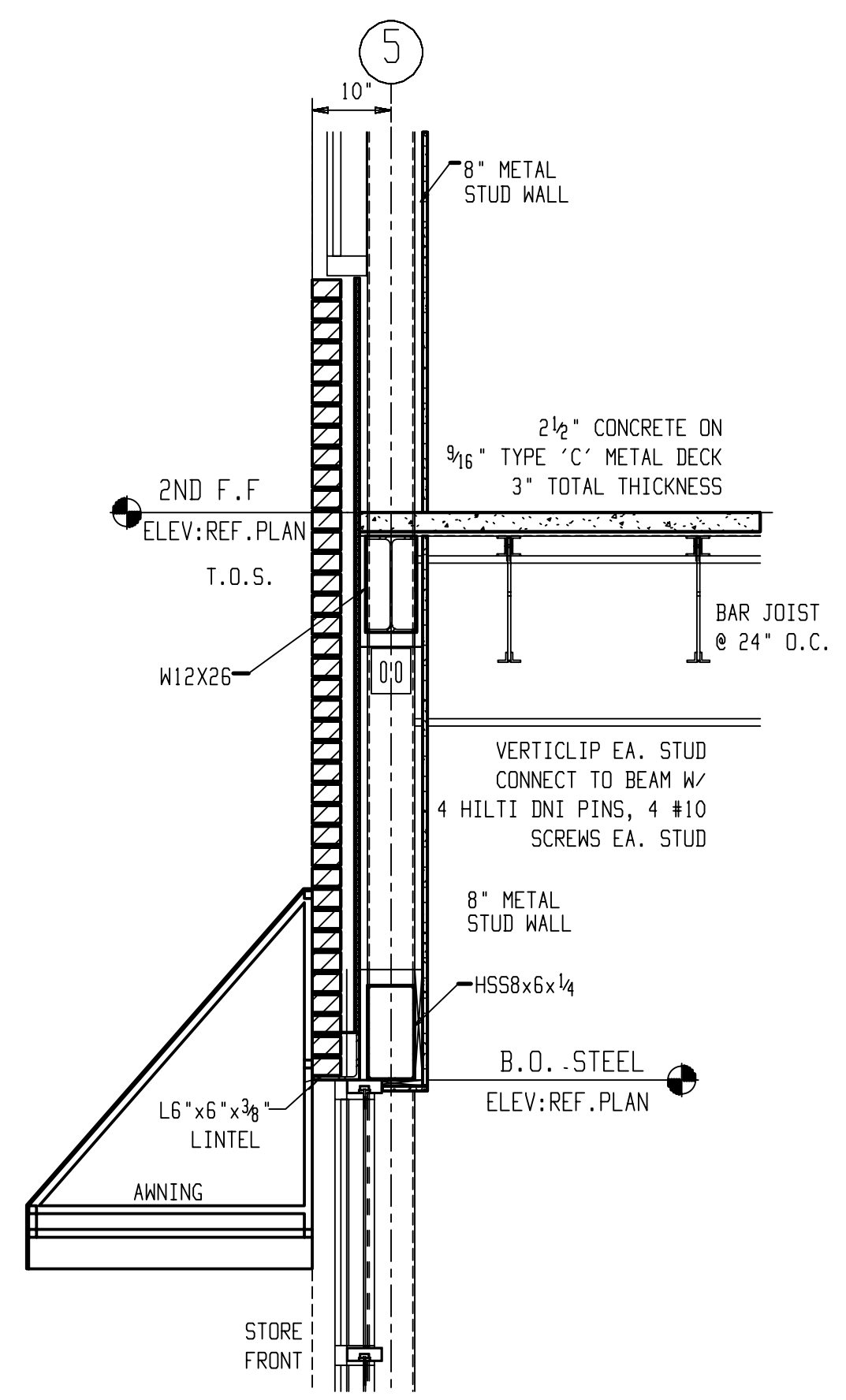


2 SECTION VIEW  
E1012 REF: 4/S2.9

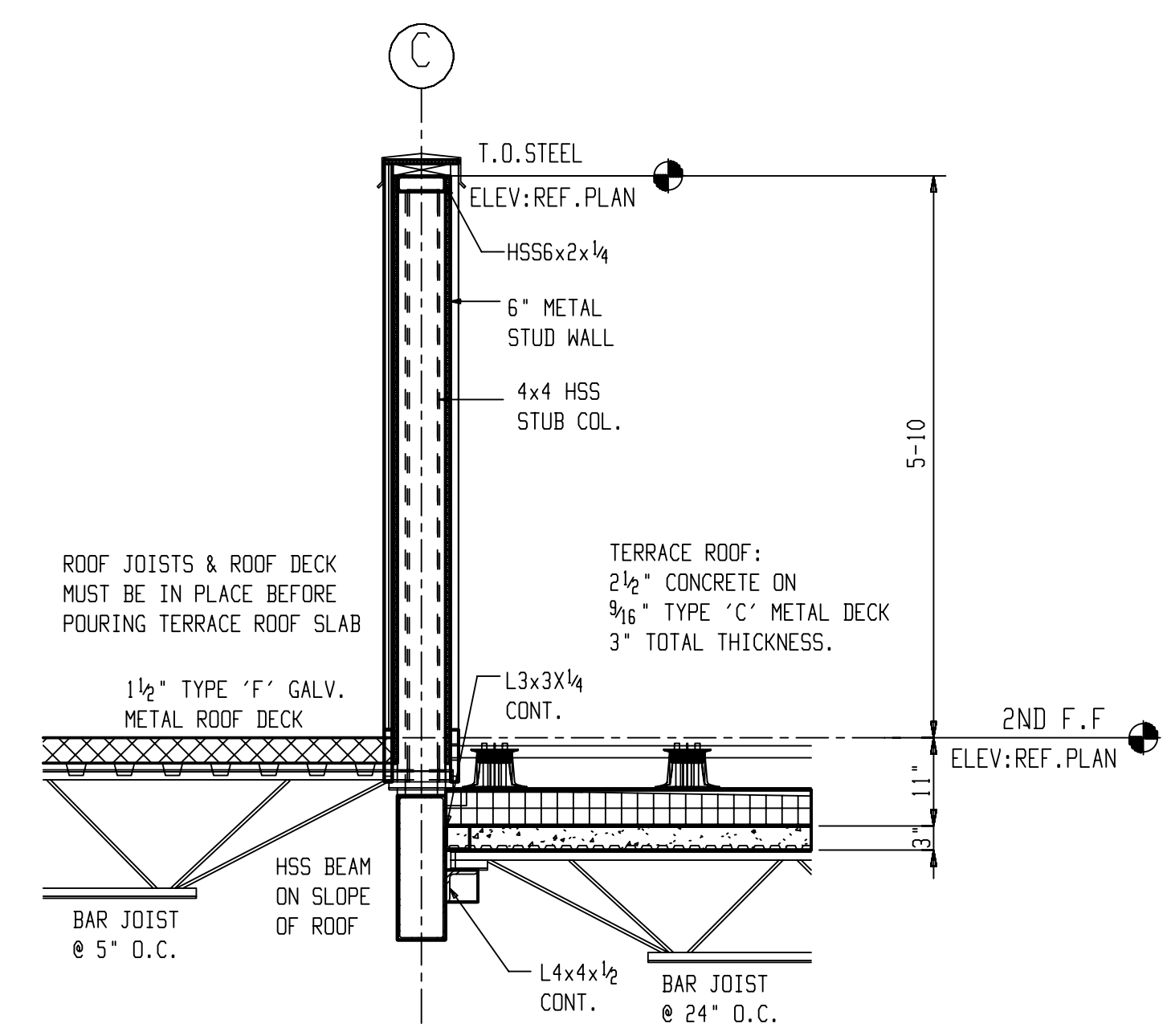
SAMPLE DRAWING  
FOR COMMERCIAL



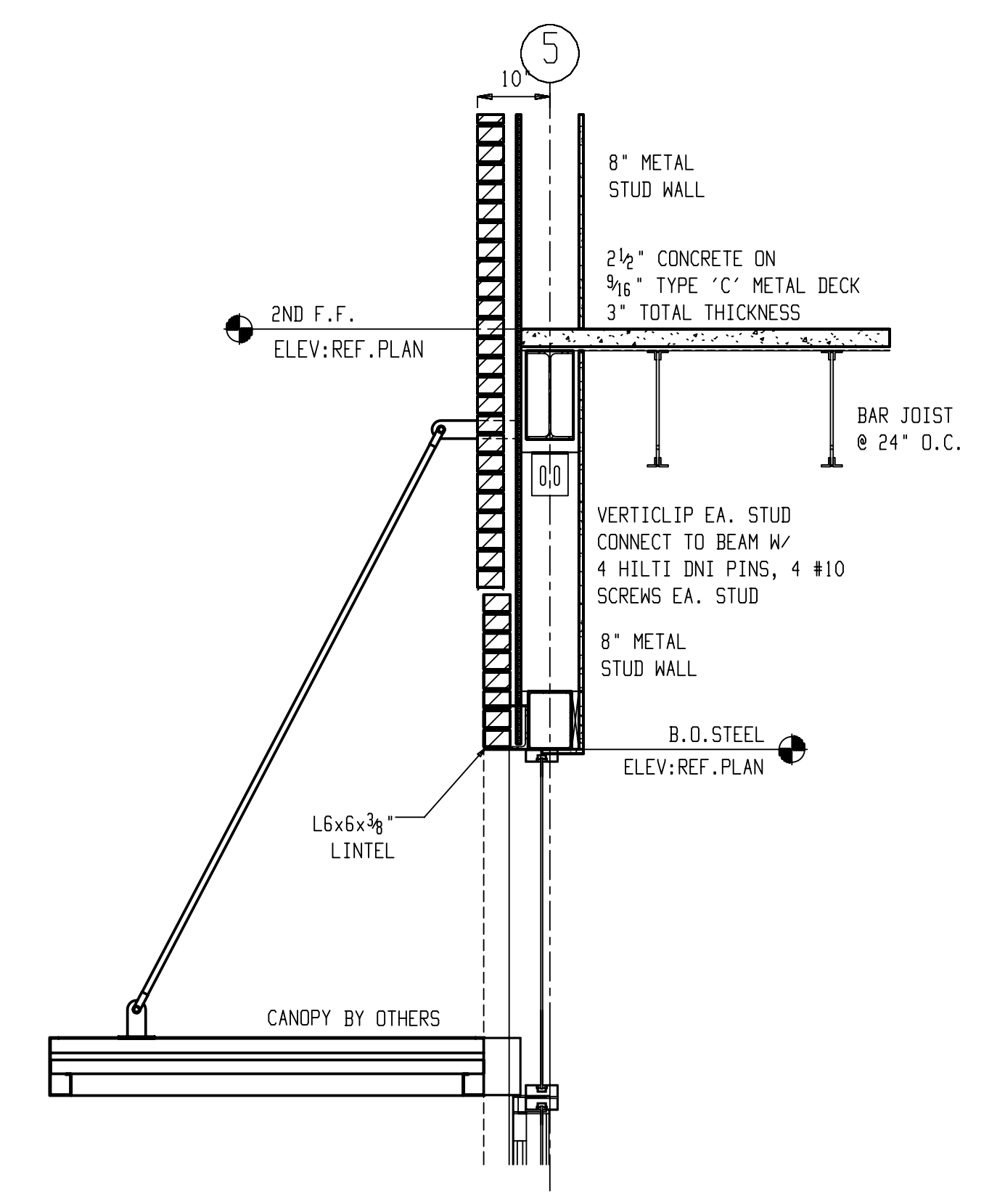
1 DETAIL  
E1013 REF:1/S3.3



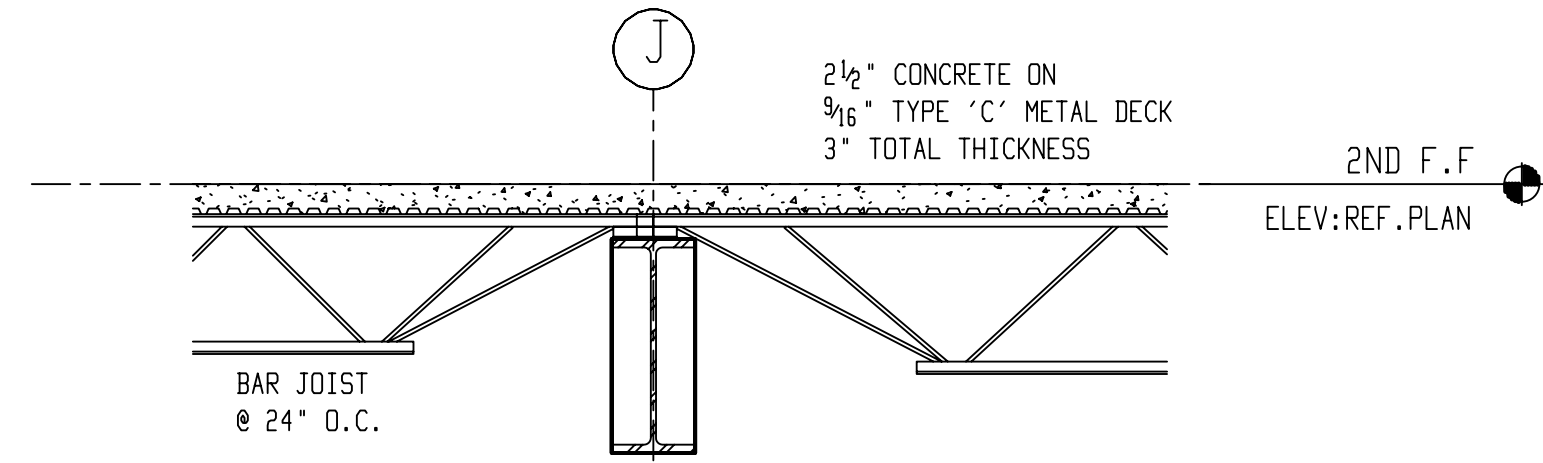
2 DETAIL  
E1013 REF:2/S3.3



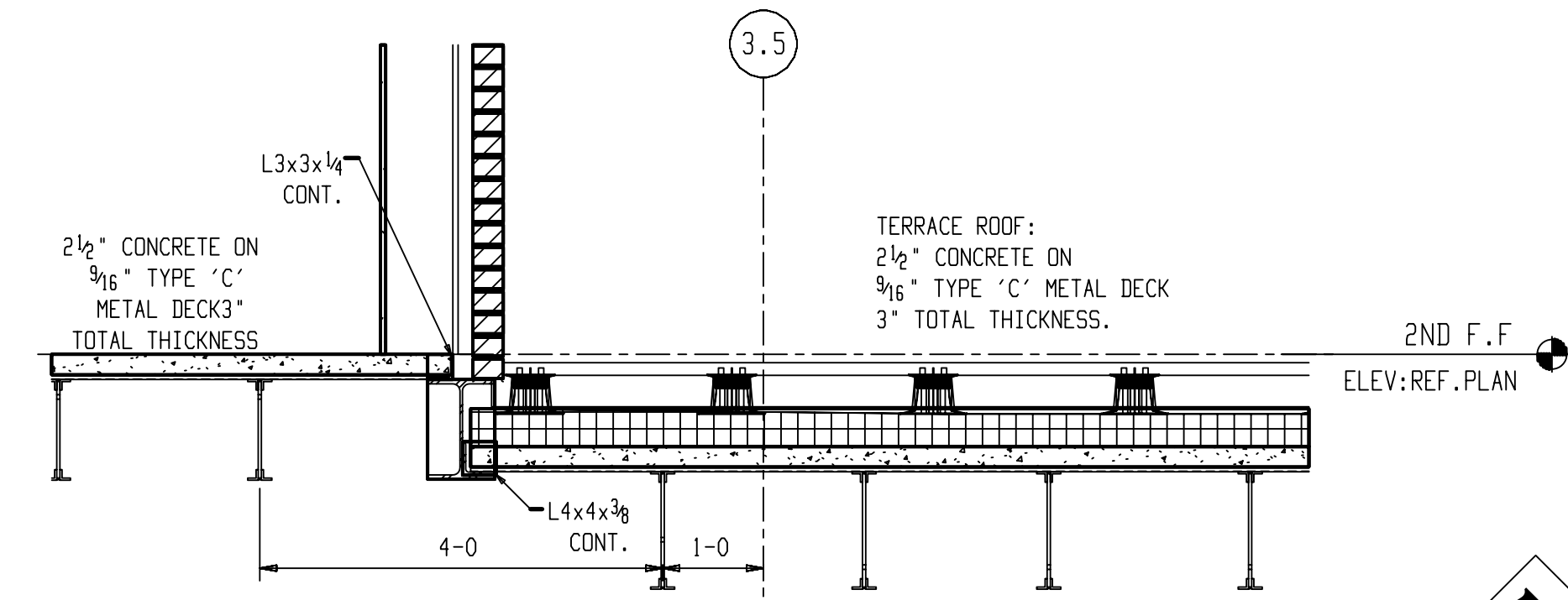
3 DETAIL  
E1013 REF:3/S3.3



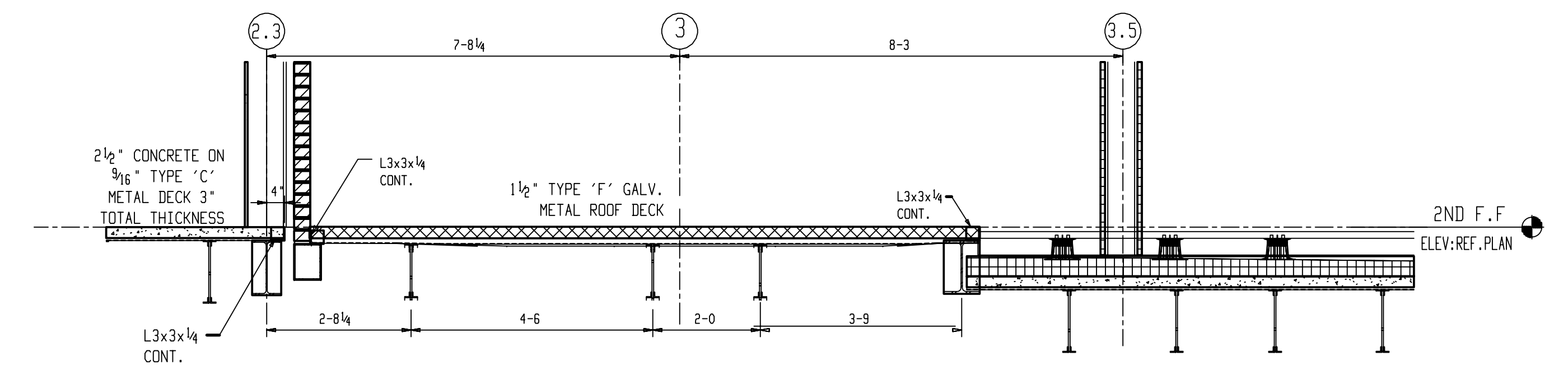
4 DETAIL  
E1013 REF:4/S3.3



5 DETAIL  
E1013 REF:5/S3.3

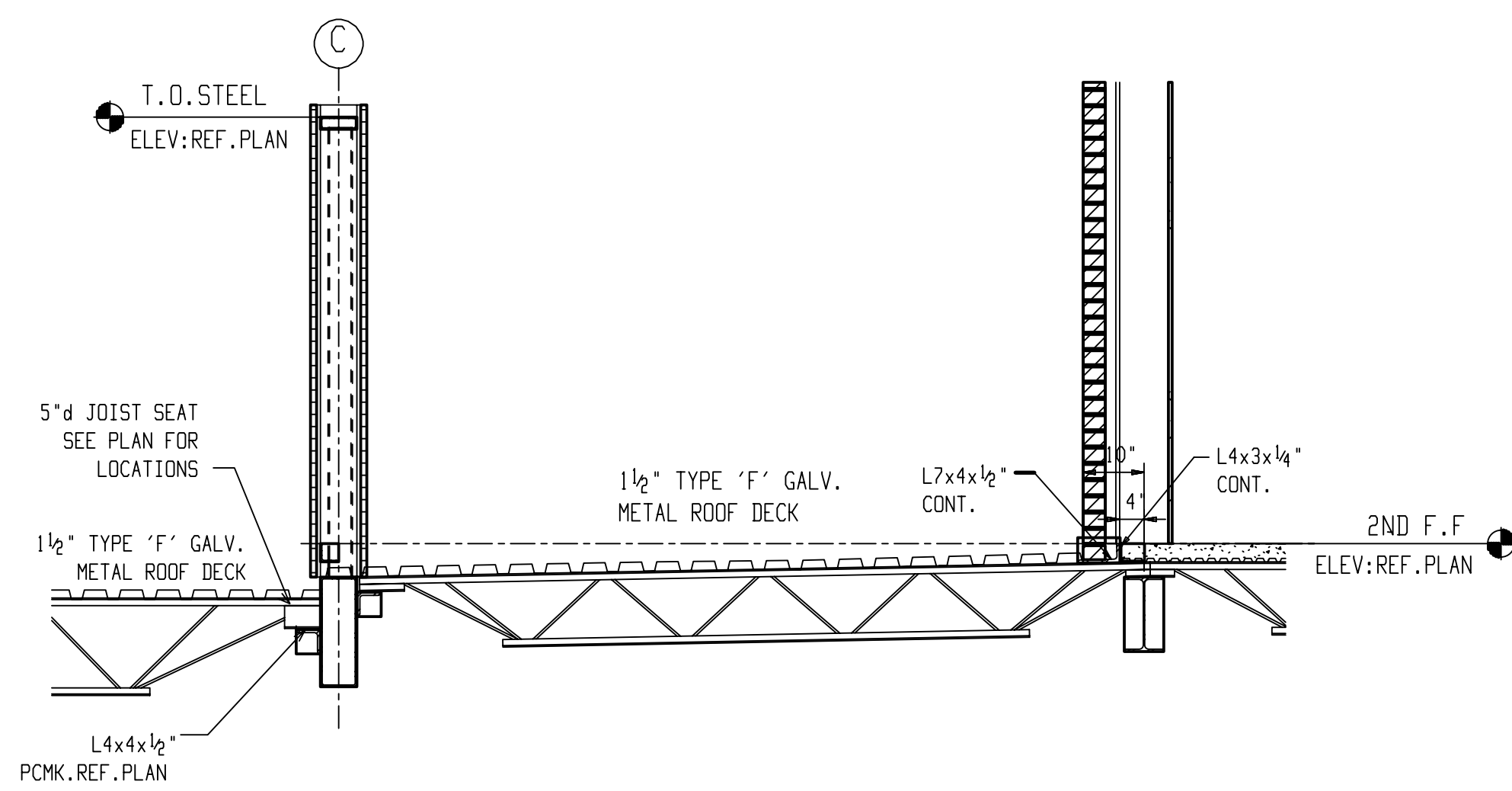


6 DETAIL  
E1013 REF:6/S3.3

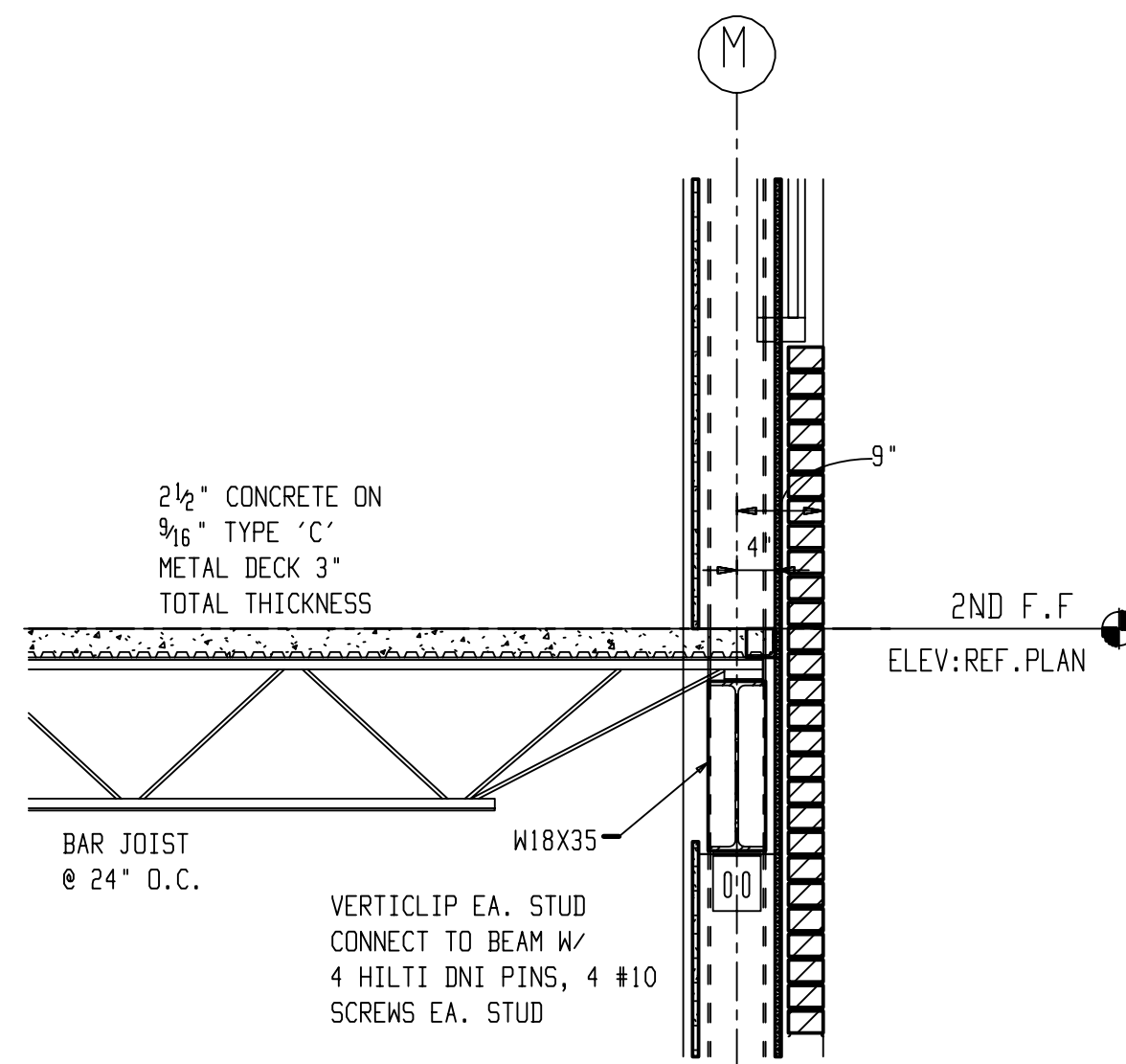


7 DETAIL  
E1013 REF:7/S3.3

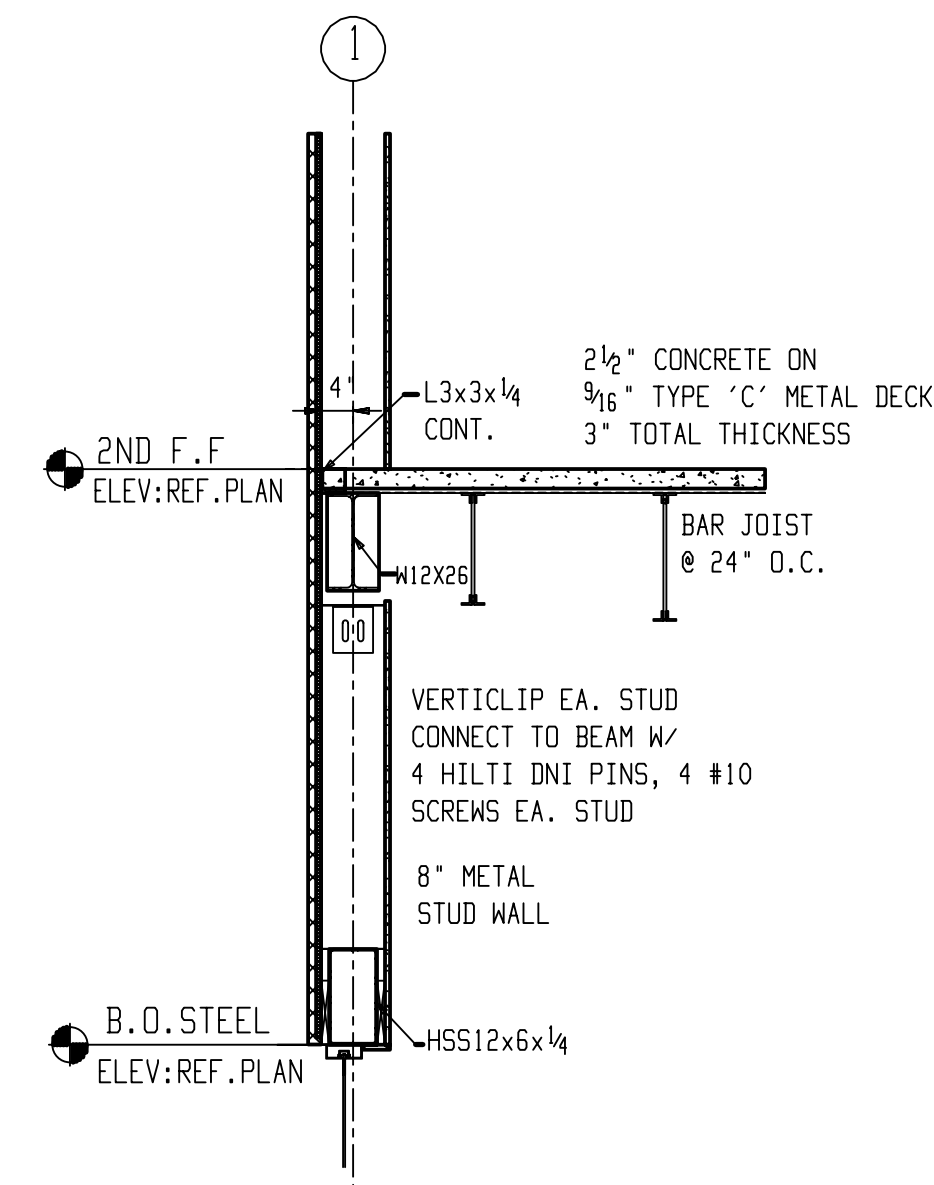
SAMPLE DRAWING  
FOR COMMERCIAL



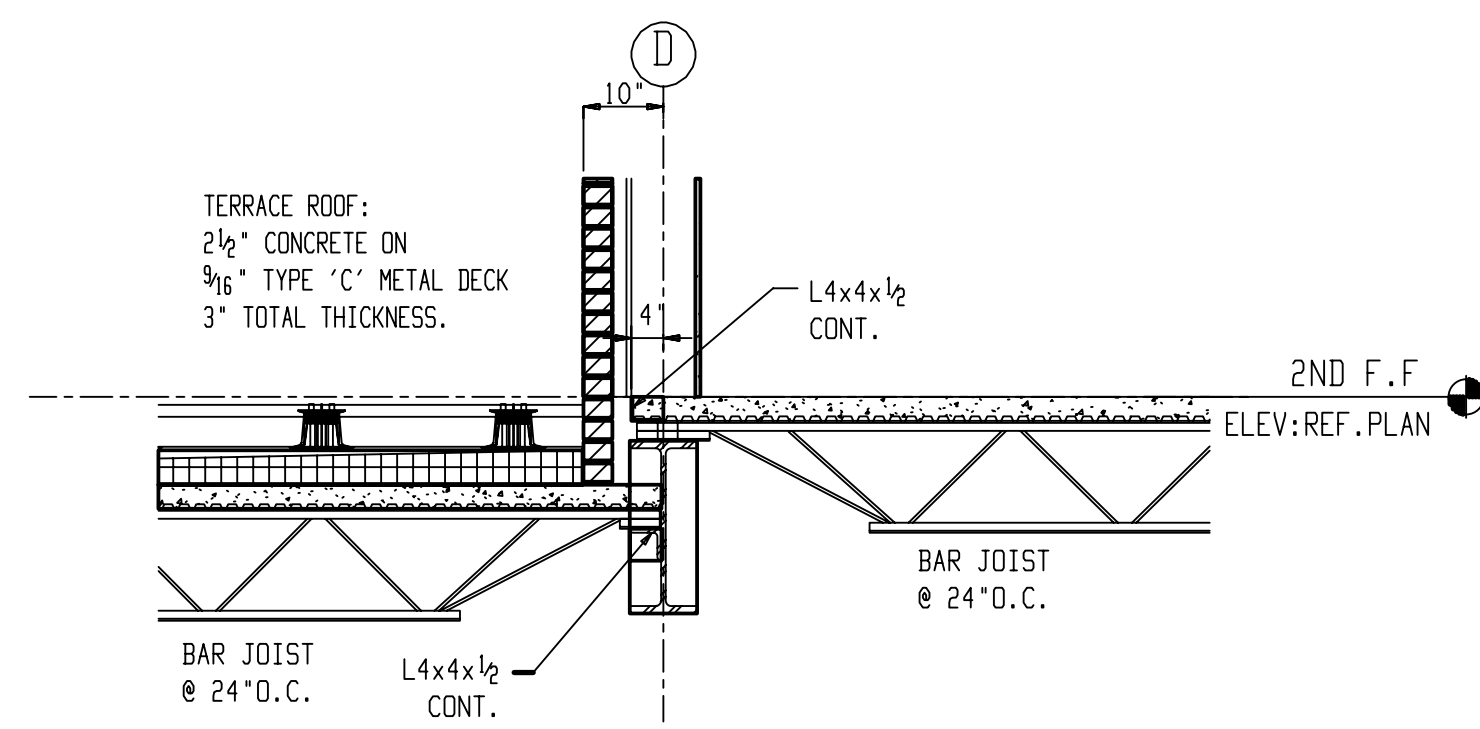
**1** DETAIL  
E1014 REF:1/S3.4



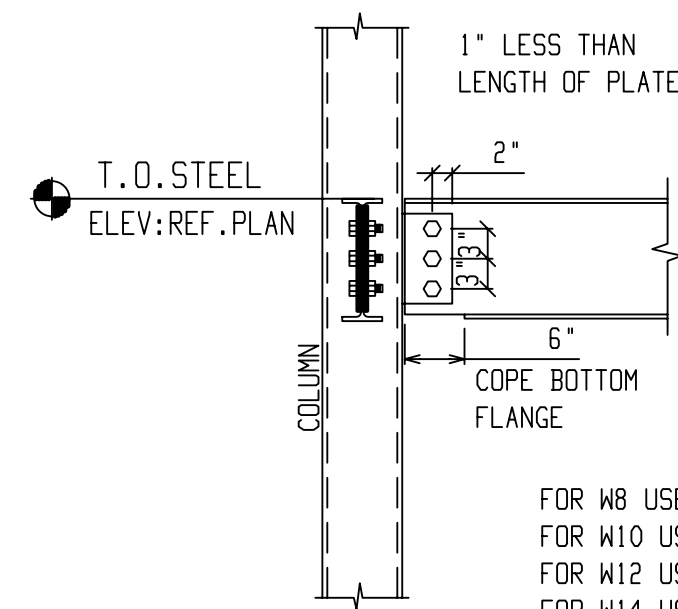
**2** DETAIL  
E1014 REF:2/S3.4



**3** DETAIL  
E1014 REF:3/S3.4



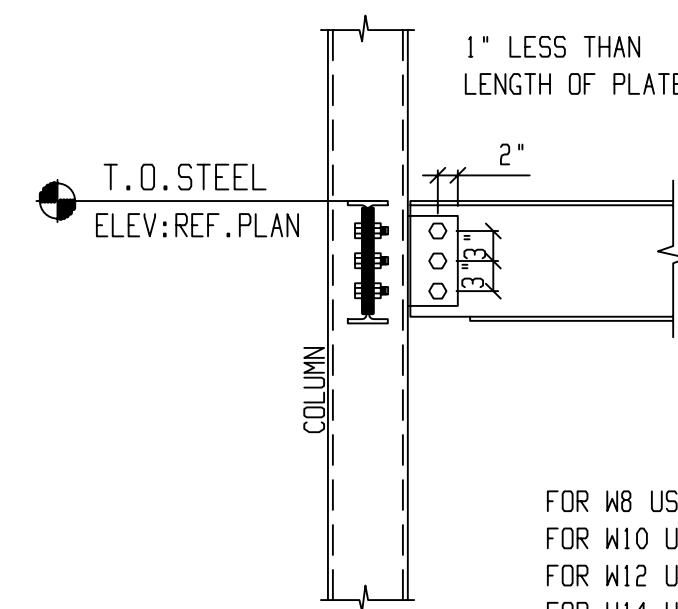
**4** DETAIL  
E1014 REF:5/S3.4



- FOR W8 USE 2 BOLTS & 6"x5"x3/8" PLATES
- FOR W10 USE 2 BOLTS & 6"x5"x3/8" PLATES
- FOR W12 USE 3 BOLTS & 9"x5"x3/8" PLATES
- FOR W14 USE 3 BOLTS & 12"x5"x3/8" PLATES
- FOR W16 USE 4 BOLTS & 12"x5"x3/8" PLATES
- FOR W18 USE 5 BOLTS & 15"x5"x3/8" PLATES
- FOR W21 USE 6 BOLTS & 18"x5"x3/8" PLATES
- FOR W24 USE 7 BOLTS & 21"x5"x3/8" PLATES
- FOR W27 USE 8 BOLTS & 24"x5"x3/8" PLATES
- FOR W36 USE 11 BOLTS & 33"x5"x3/8" PLATES
- FOR W33 USE 10 BOLTS & 30"x5"x3/8" PLATES
- FOR W30 USE 9 BOLTS & 27"x5"x3/8" PLATES

PLATES ON BOTH SIDE OF BEAM  
ALL BOLTS A325-X

**TYP. DETAIL-1**  
REF:6/S3.4

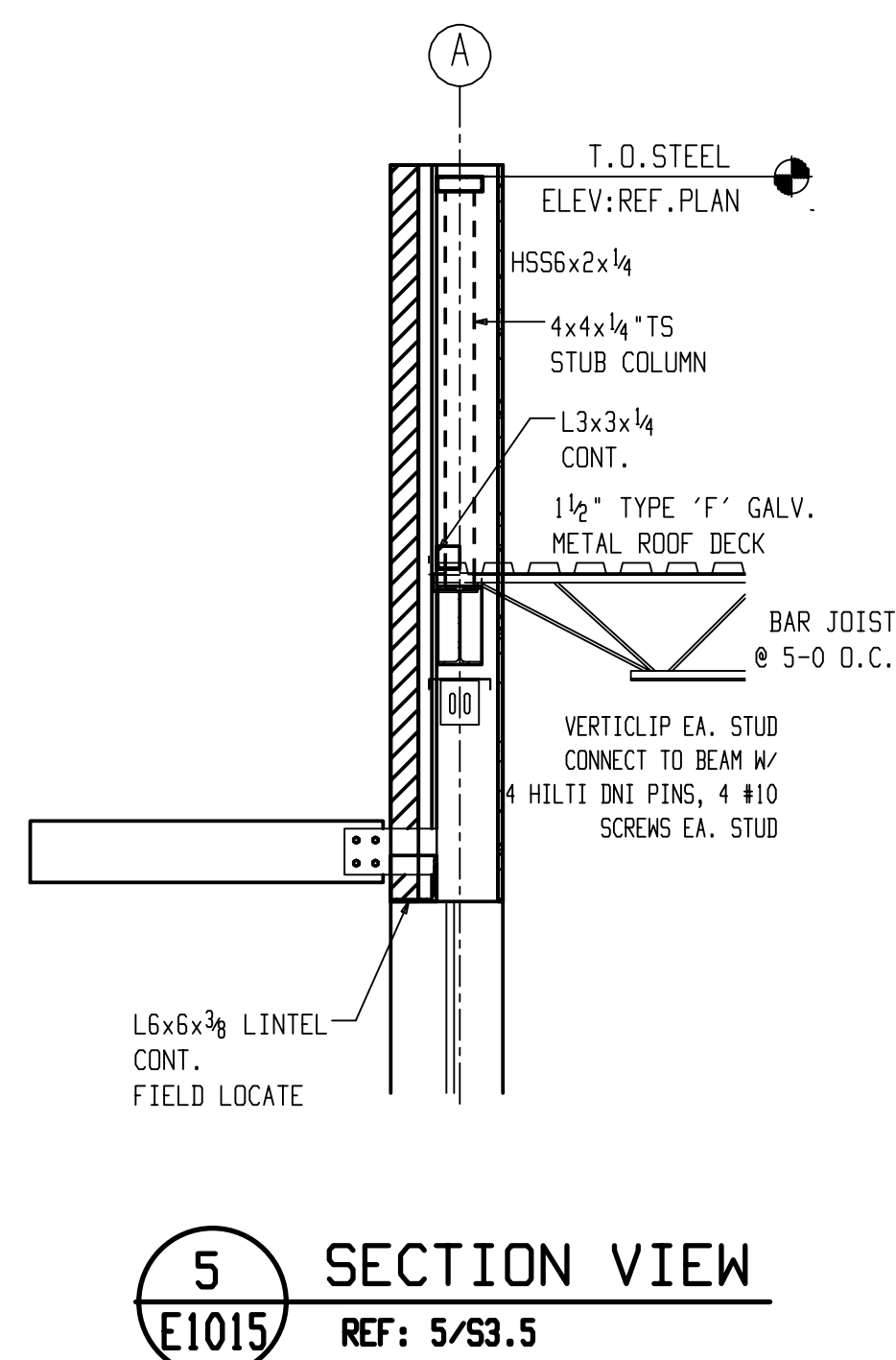
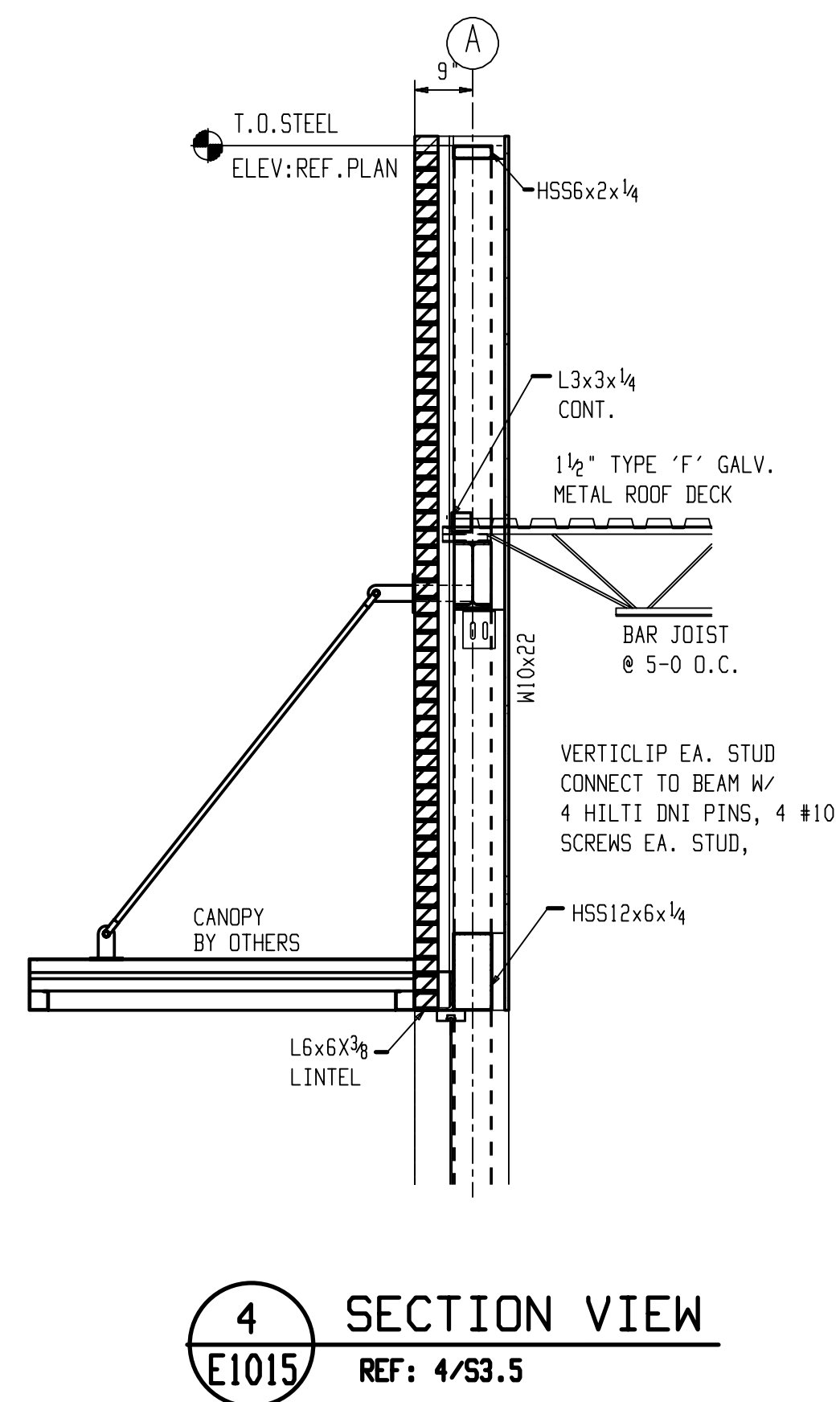
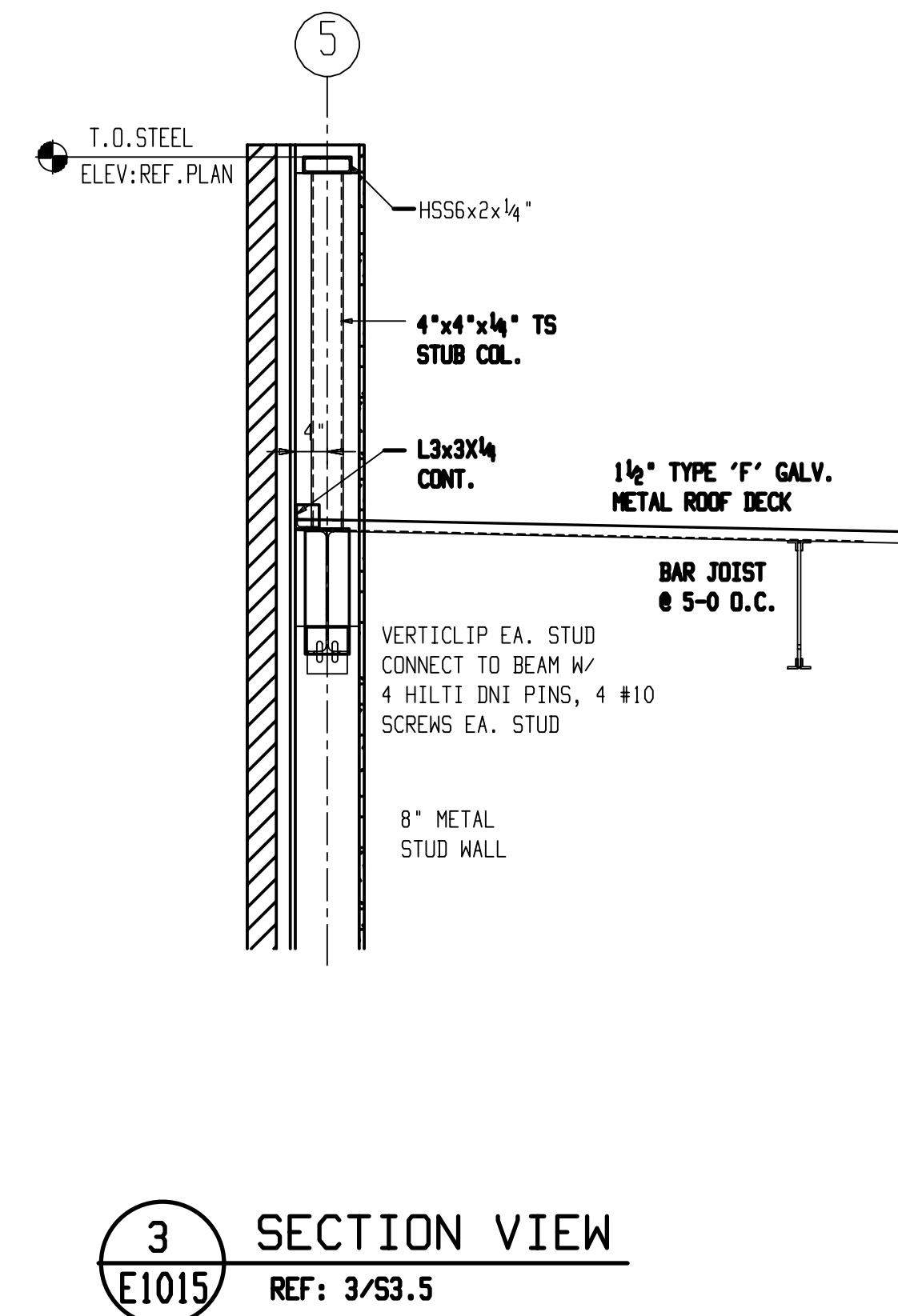
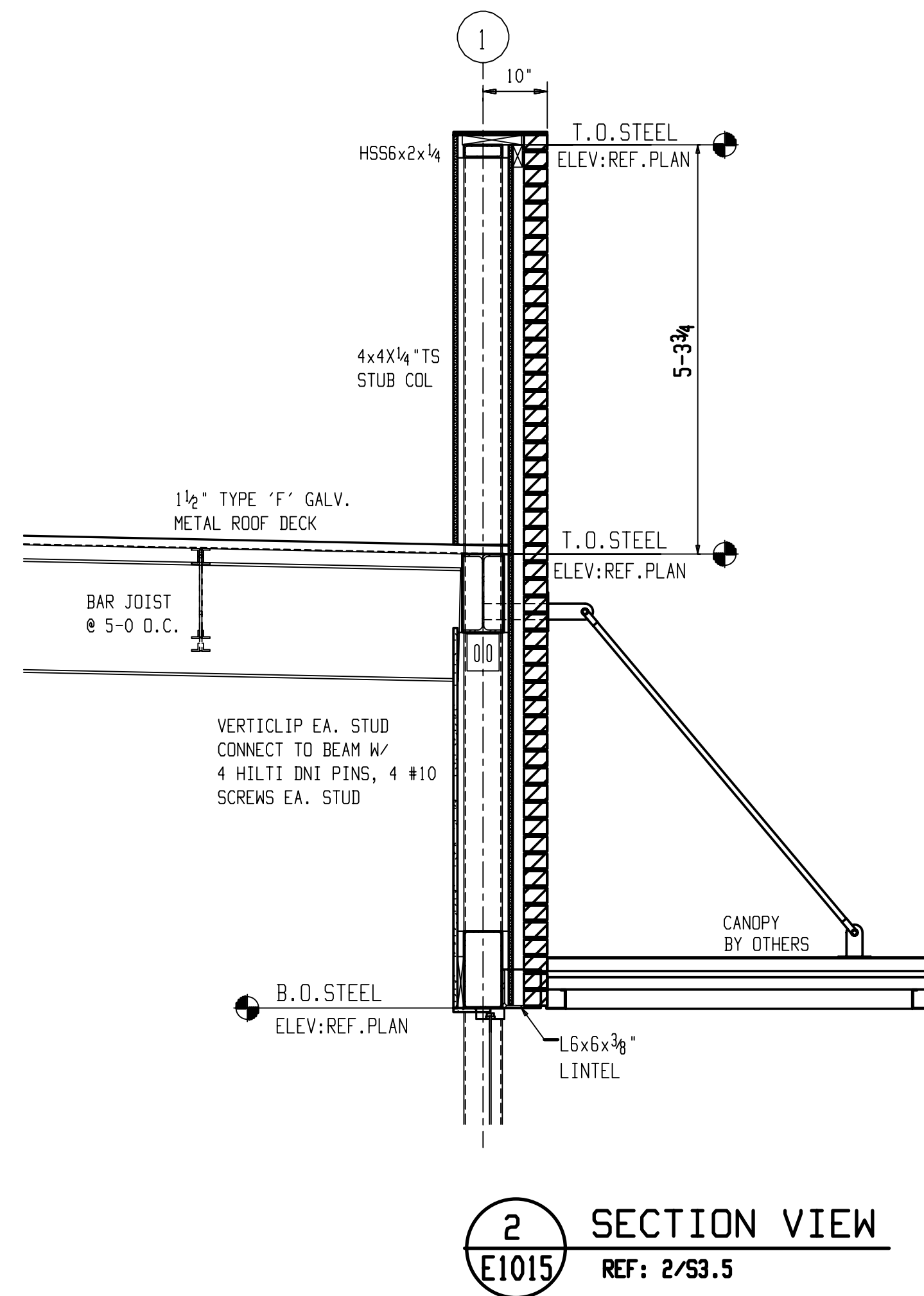
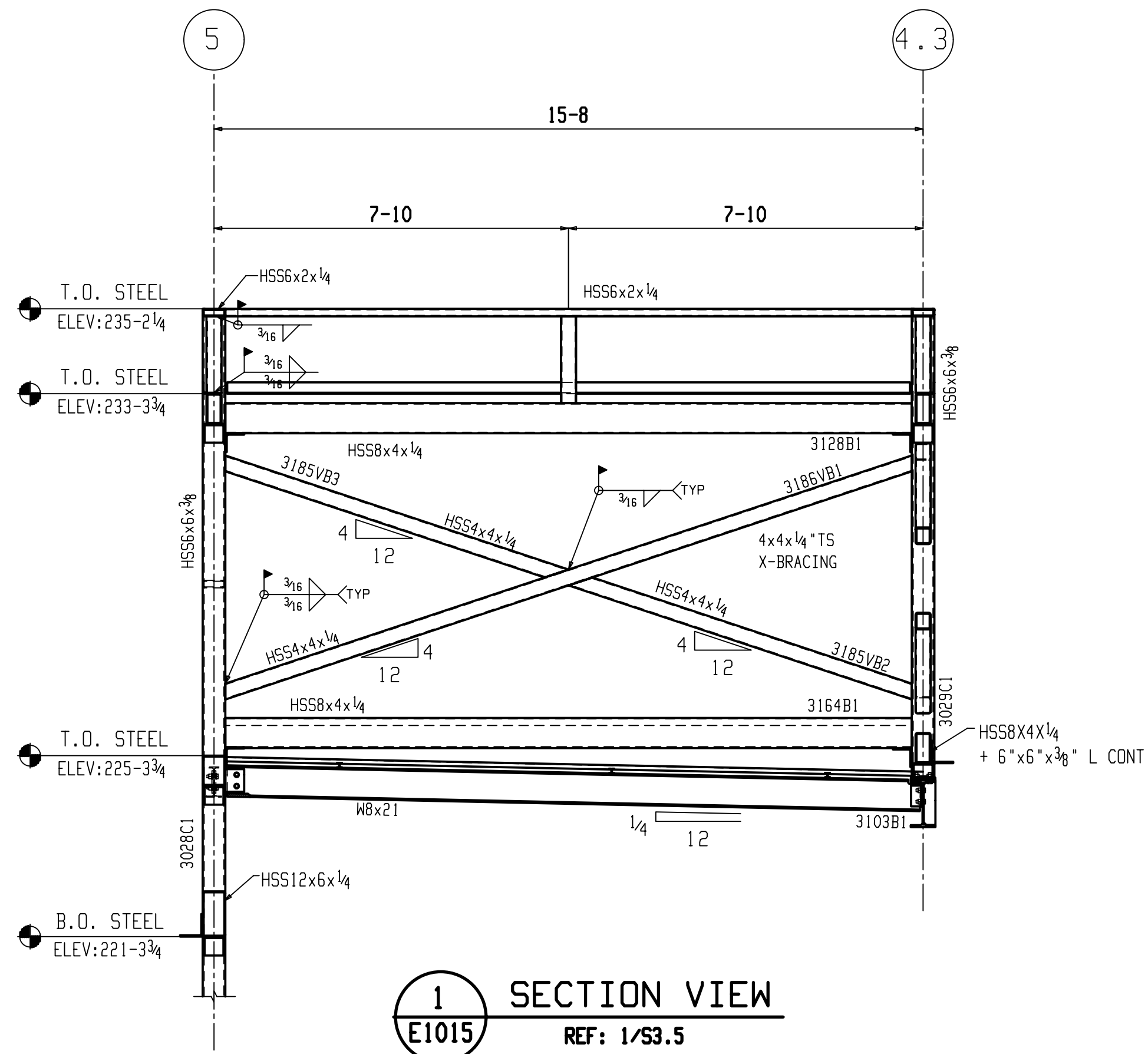


- FOR W8 USE 2 BOLTS & 6"x5"x3/8" PLATES
- FOR W10 USE 2 BOLTS & 6"x5"x3/8" PLATES
- FOR W12 USE 3 BOLTS & 9"x5"x3/8" PLATES
- FOR W14 USE 3 BOLTS & 12"x5"x3/8" PLATES
- FOR W16 USE 4 BOLTS & 12"x5"x3/8" PLATES
- FOR W18 USE 5 BOLTS & 15"x5"x3/8" PLATES
- FOR W21 USE 6 BOLTS & 18"x5"x3/8" PLATES
- FOR W24 USE 7 BOLTS & 21"x5"x3/8" PLATES
- FOR W27 USE 8 BOLTS & 24"x5"x3/8" PLATES
- FOR W36 USE 11 BOLTS & 33"x5"x3/8" PLATES
- FOR W33 USE 10 BOLTS & 30"x5"x3/8" PLATES
- FOR W30 USE 9 BOLTS & 27"x5"x3/8" PLATES

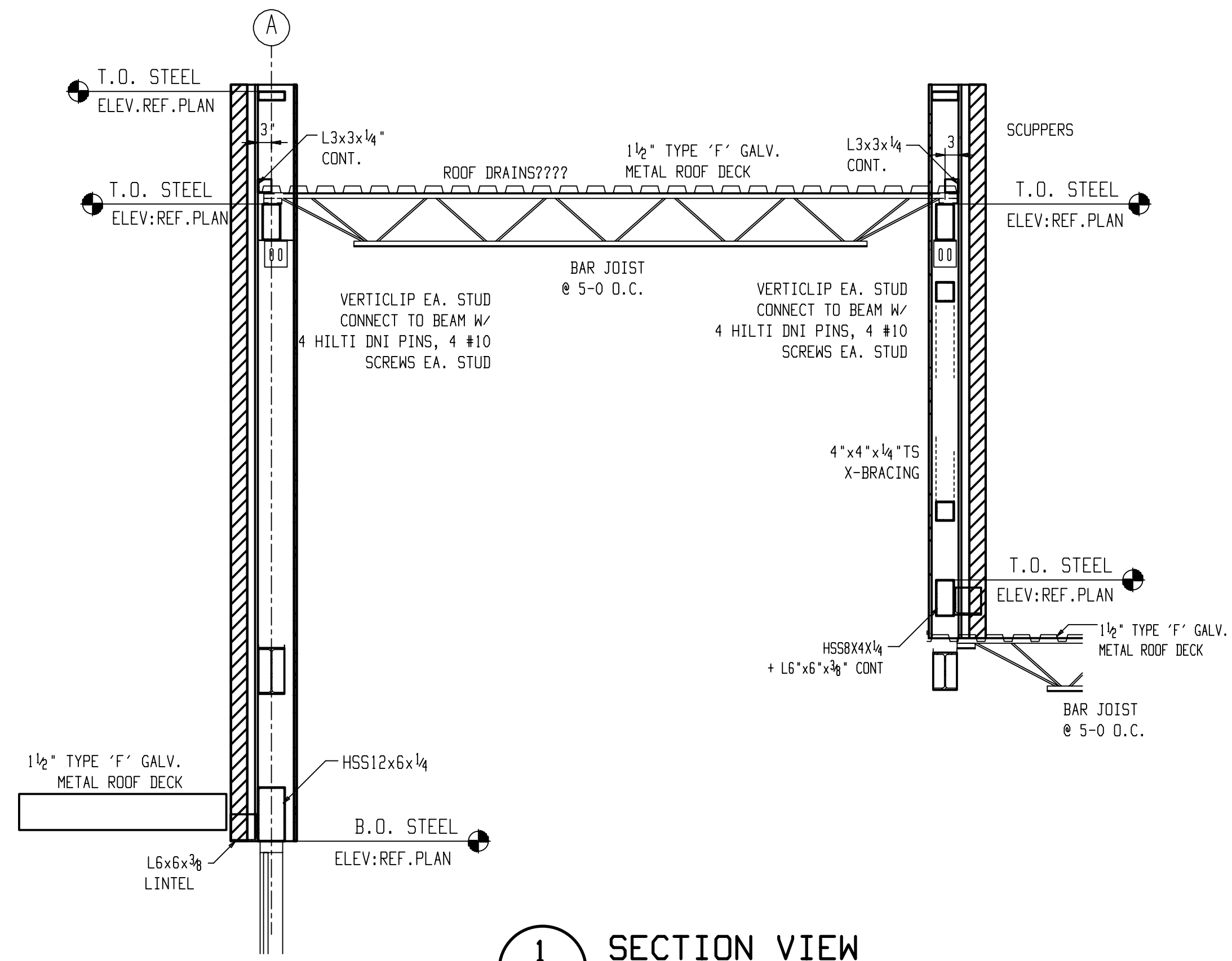
PLATES ON ONE SIDE OF BEAM  
ALL BOLTS A325-X

**TYP. DETAIL-2**

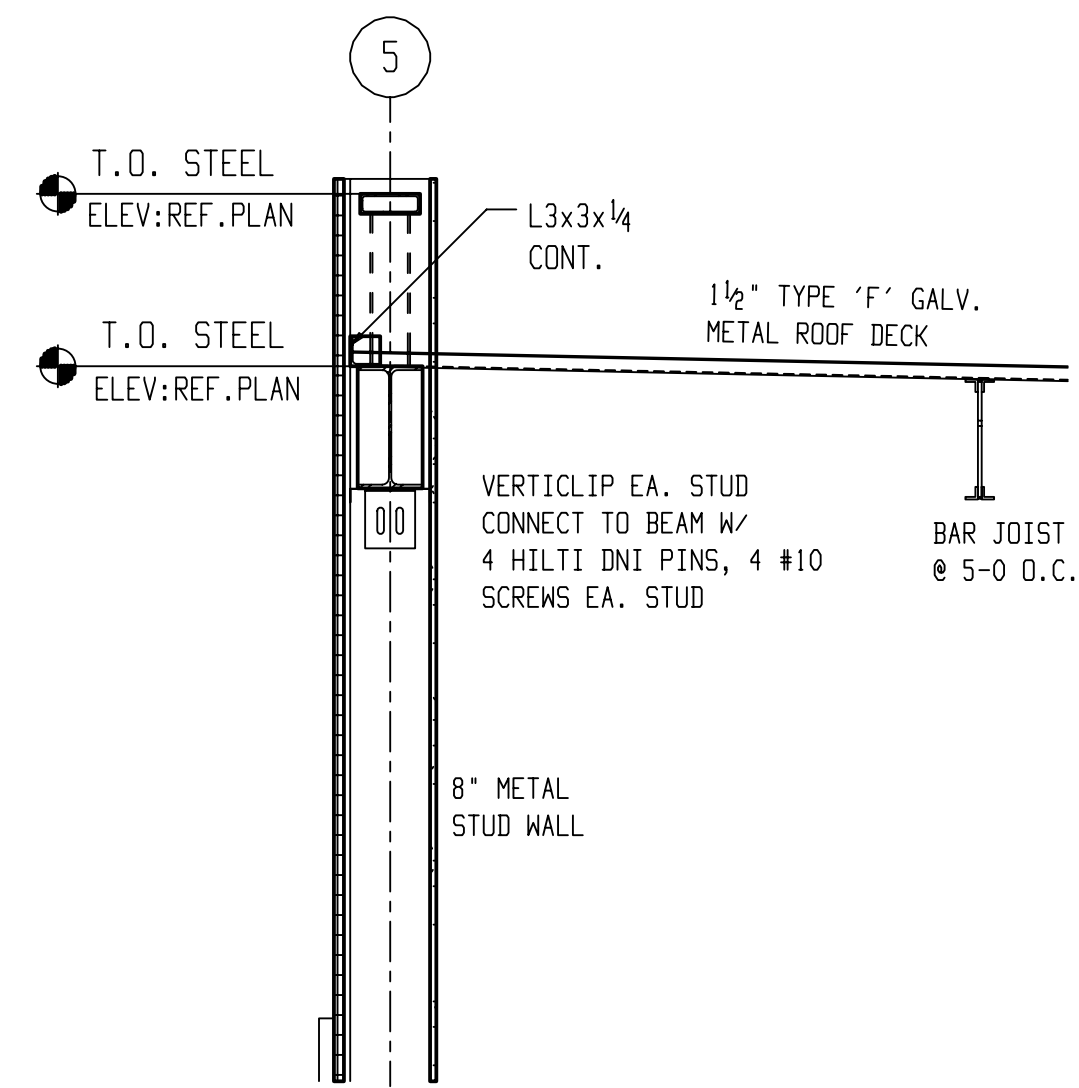
**SAMPLE DRAWING  
FOR COMMERCIAL**



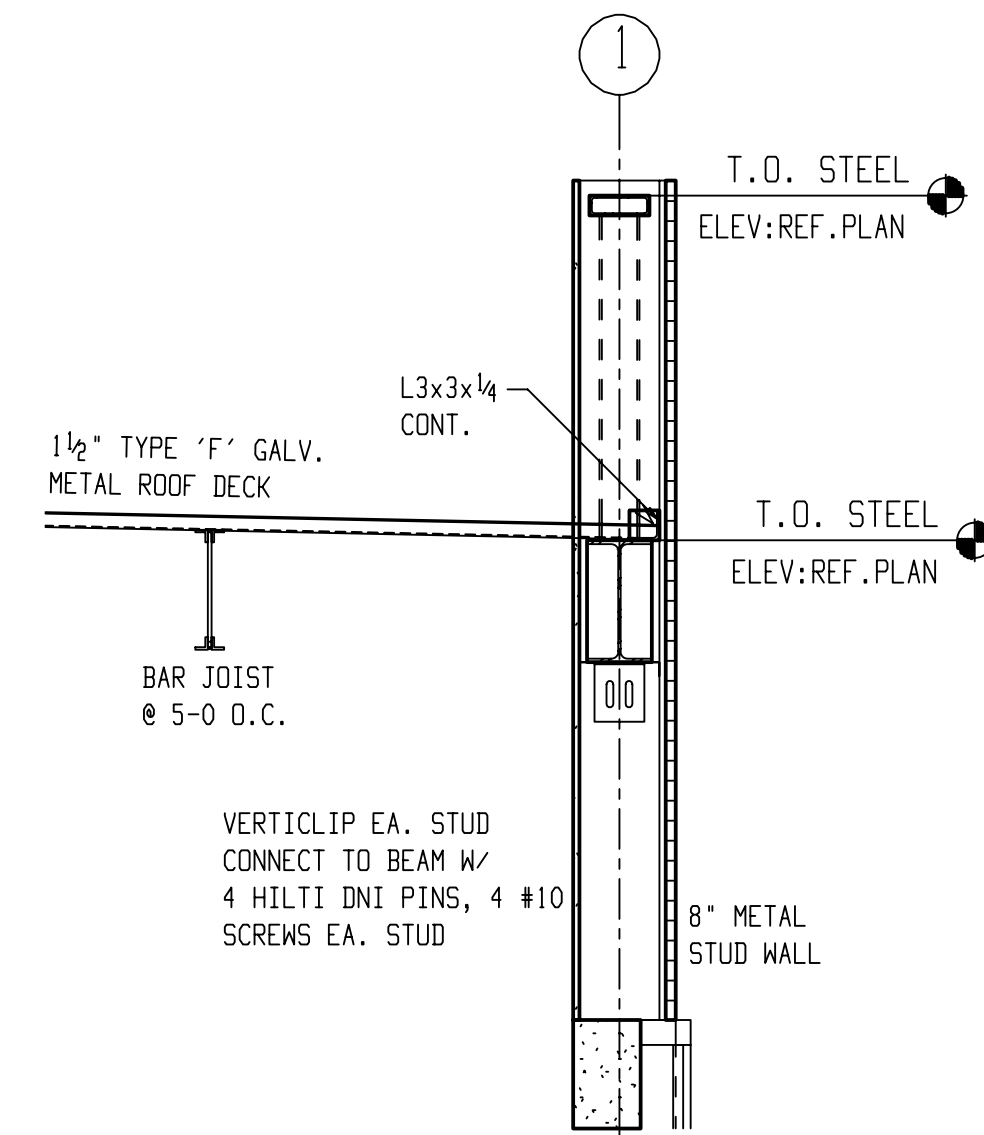
**SAMPLE DRAWING  
FOR COMMERCIAL**



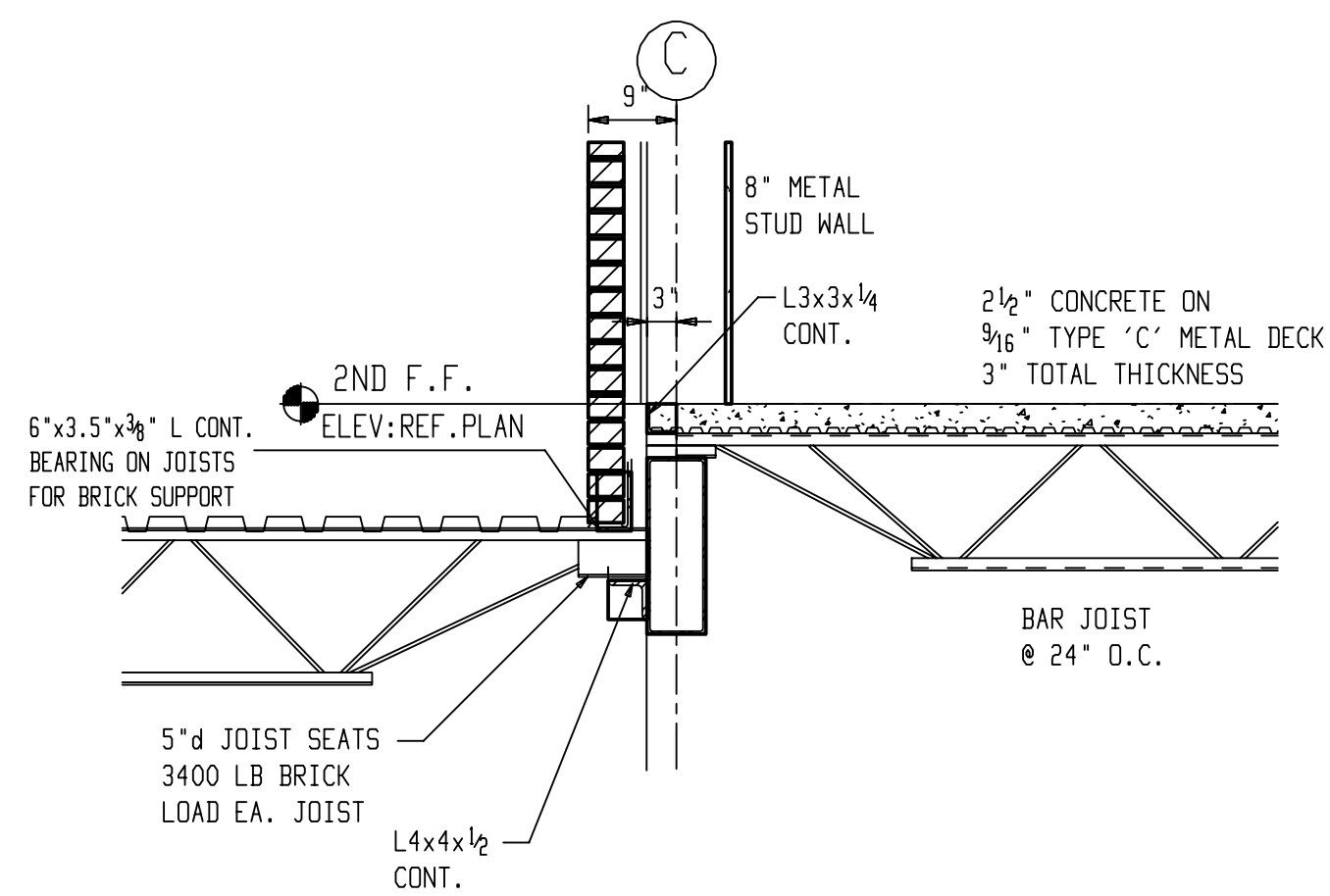
**1 SECTION VIEW**  
**E1016 REF: 1/S3.6**



**2 SECTION VIEW**  
**E1016 REF: 2/S3.6**

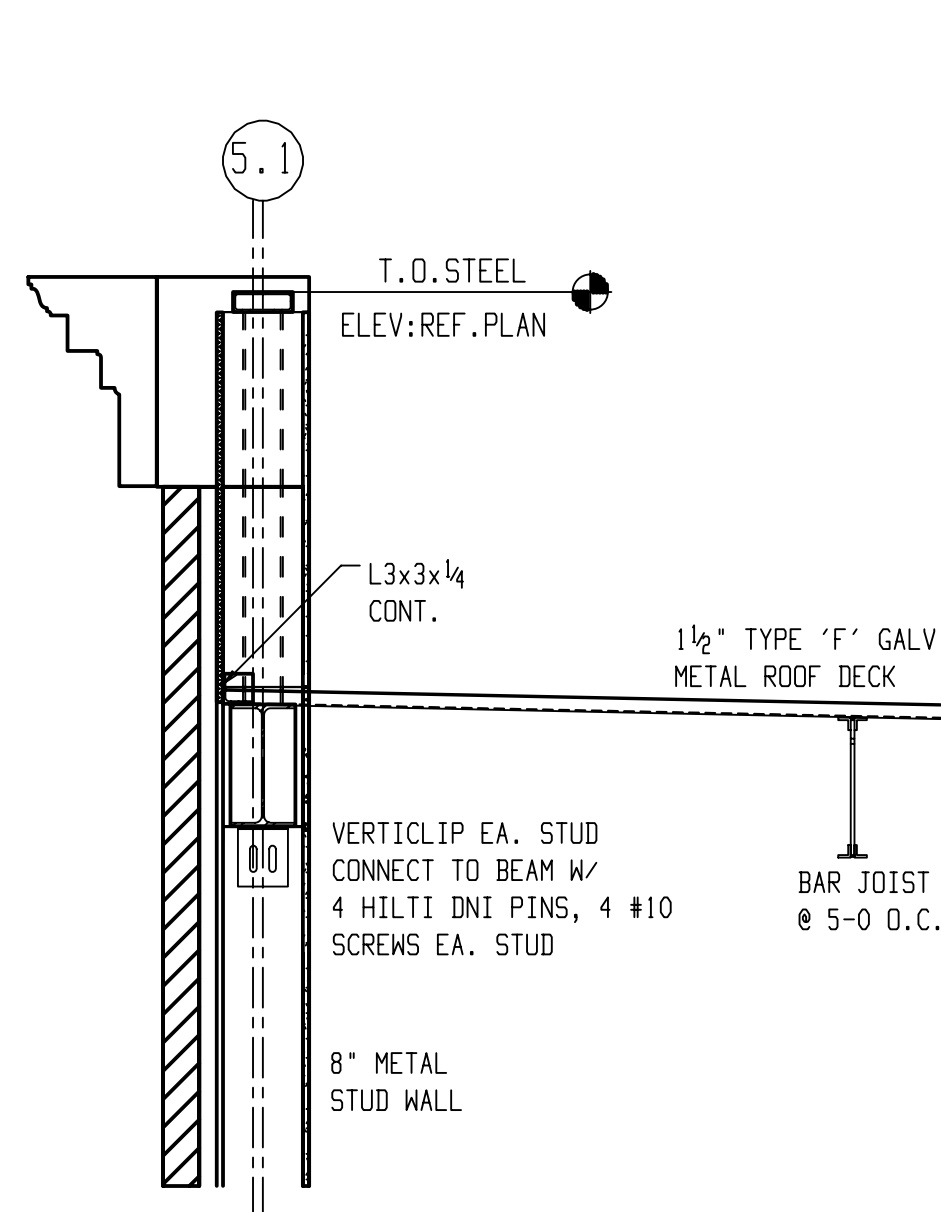


**3 SECTION VIEW**  
**E1016 REF: 3/S3.6**

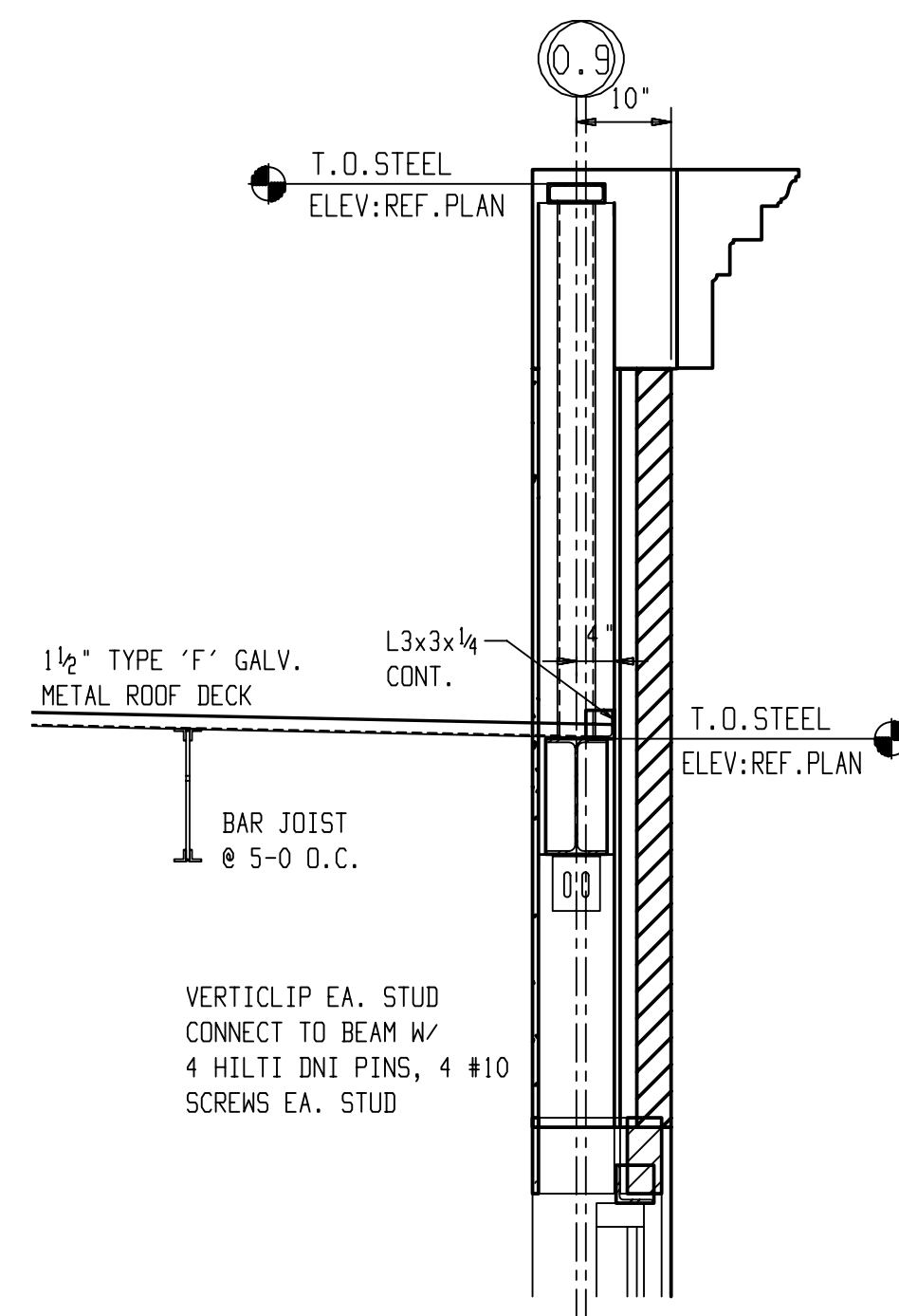


**4 SECTION VIEW**  
**E1016 REF: 4/S3.6**

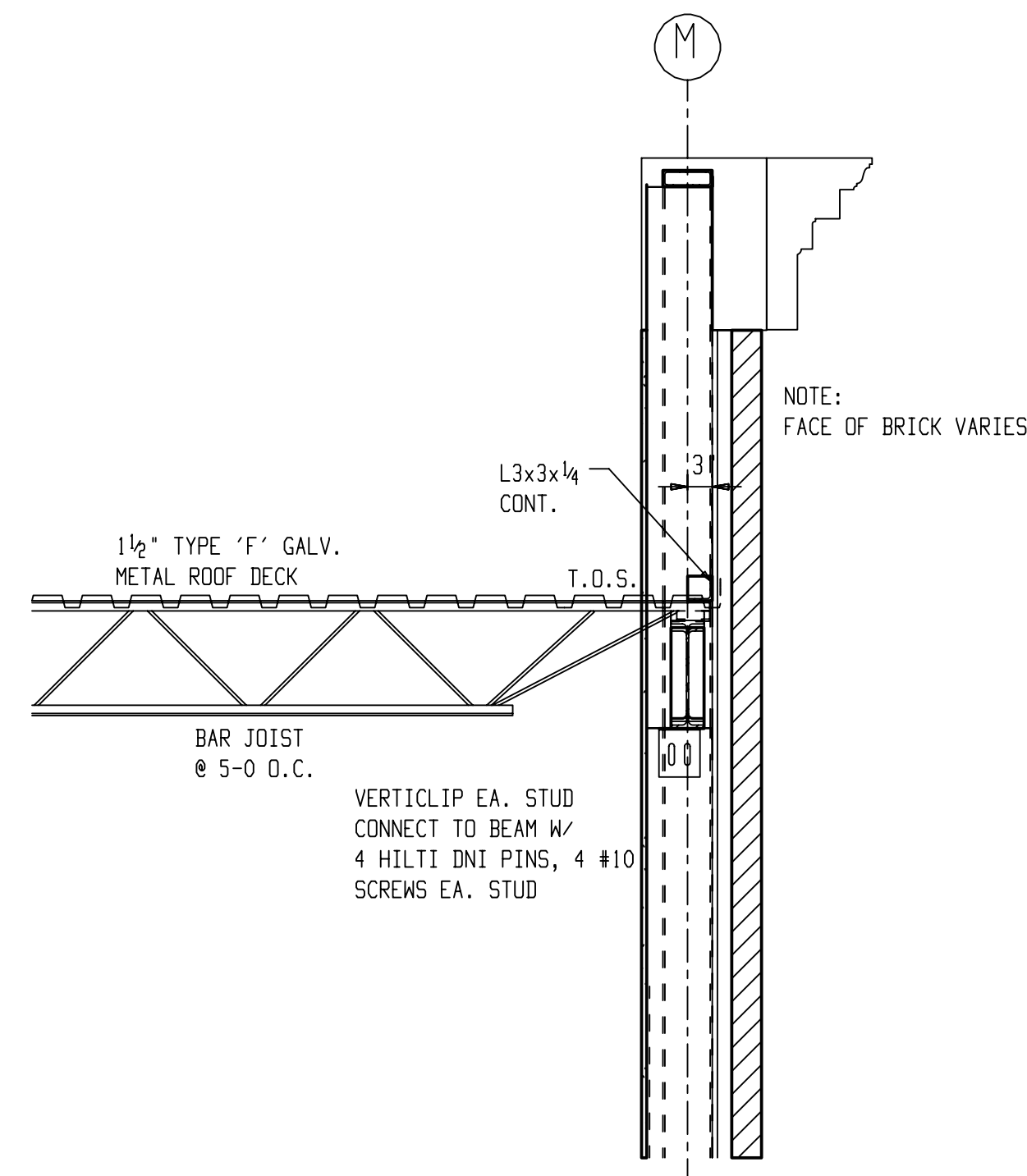
**SAMPLE DRAWING  
 FOR COMMERCIAL**



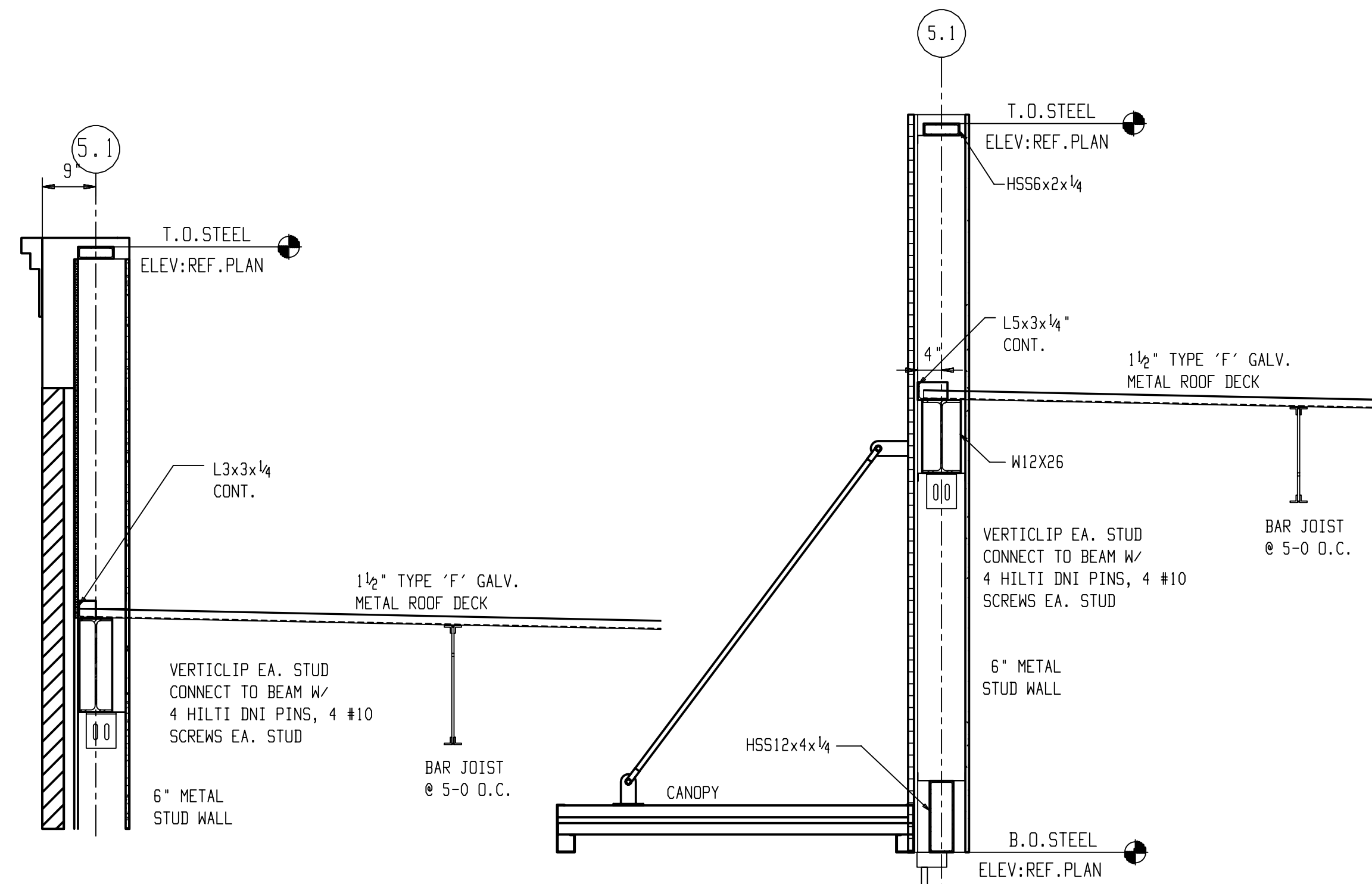
**1 SECTION VIEW**  
E1017 REF: 1/S3.7



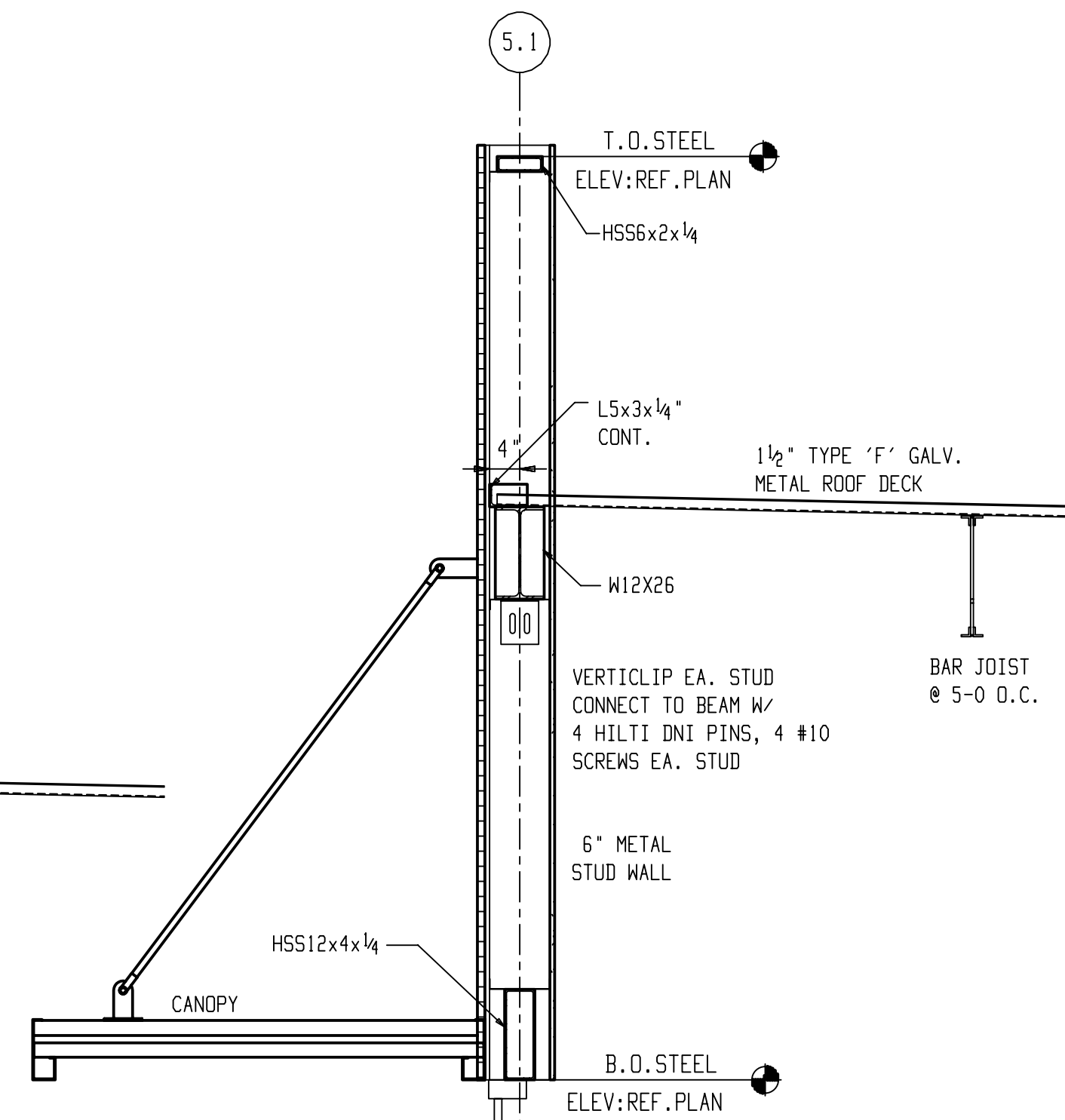
**2 SECTION VIEW**  
E1017 REF: 2/S3.7



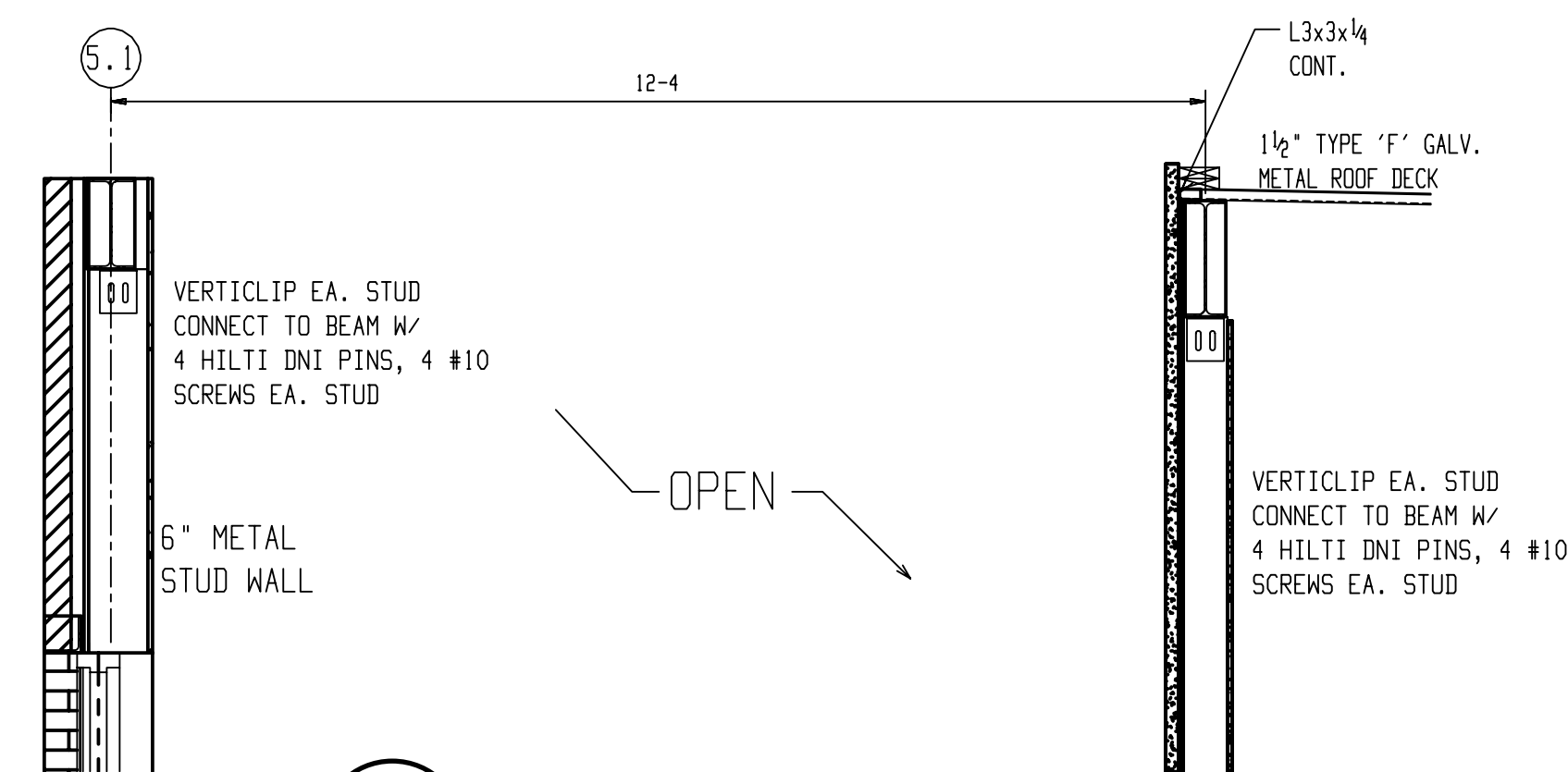
**3 SECTION VIEW**  
E1017 REF: 3/S3.7



**4 SECTION VIEW**  
E1017 REF: 4/S3.7

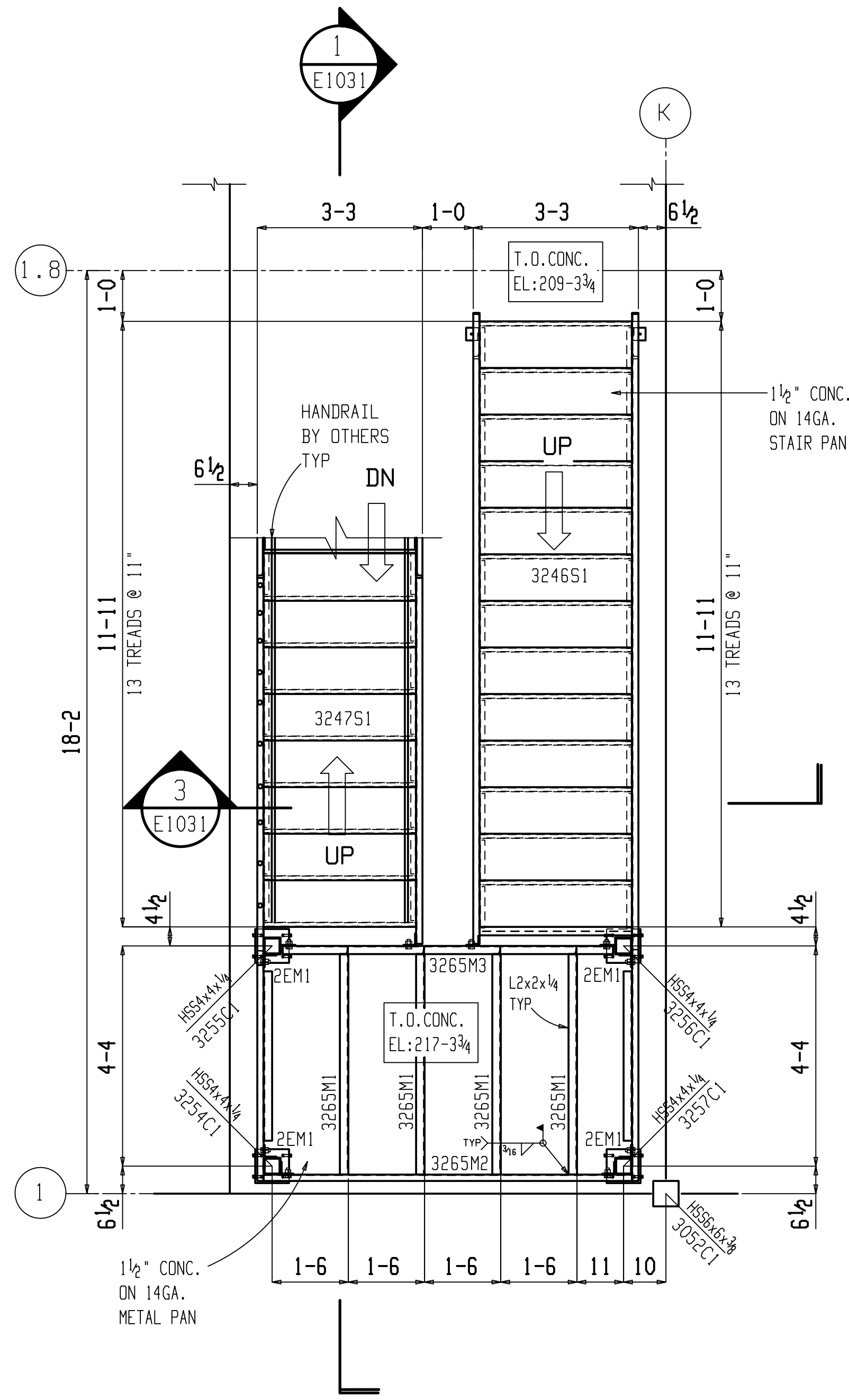


**5 SECTION VIEW**  
E1017 REF: 5/S3.7

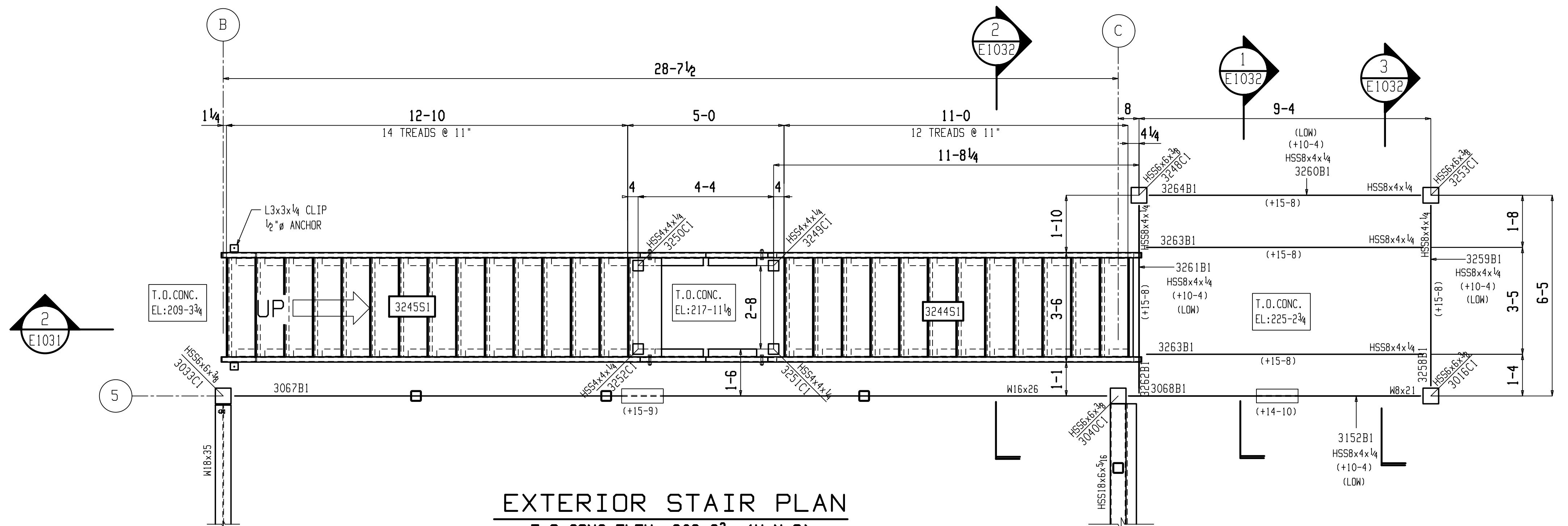


**6 SECTION VIEW**  
E1017 REF: 6/S3.7

**SAMPLE DRAWING  
FOR COMMERCIAL**

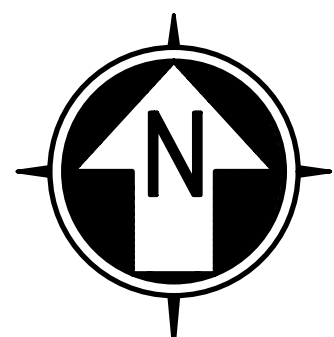


INTERIOR STAIR PLAN  
 T.O. CONC. ELEV: 209-3 3/4 (U.N.O)  
 REF. 5/S1.4

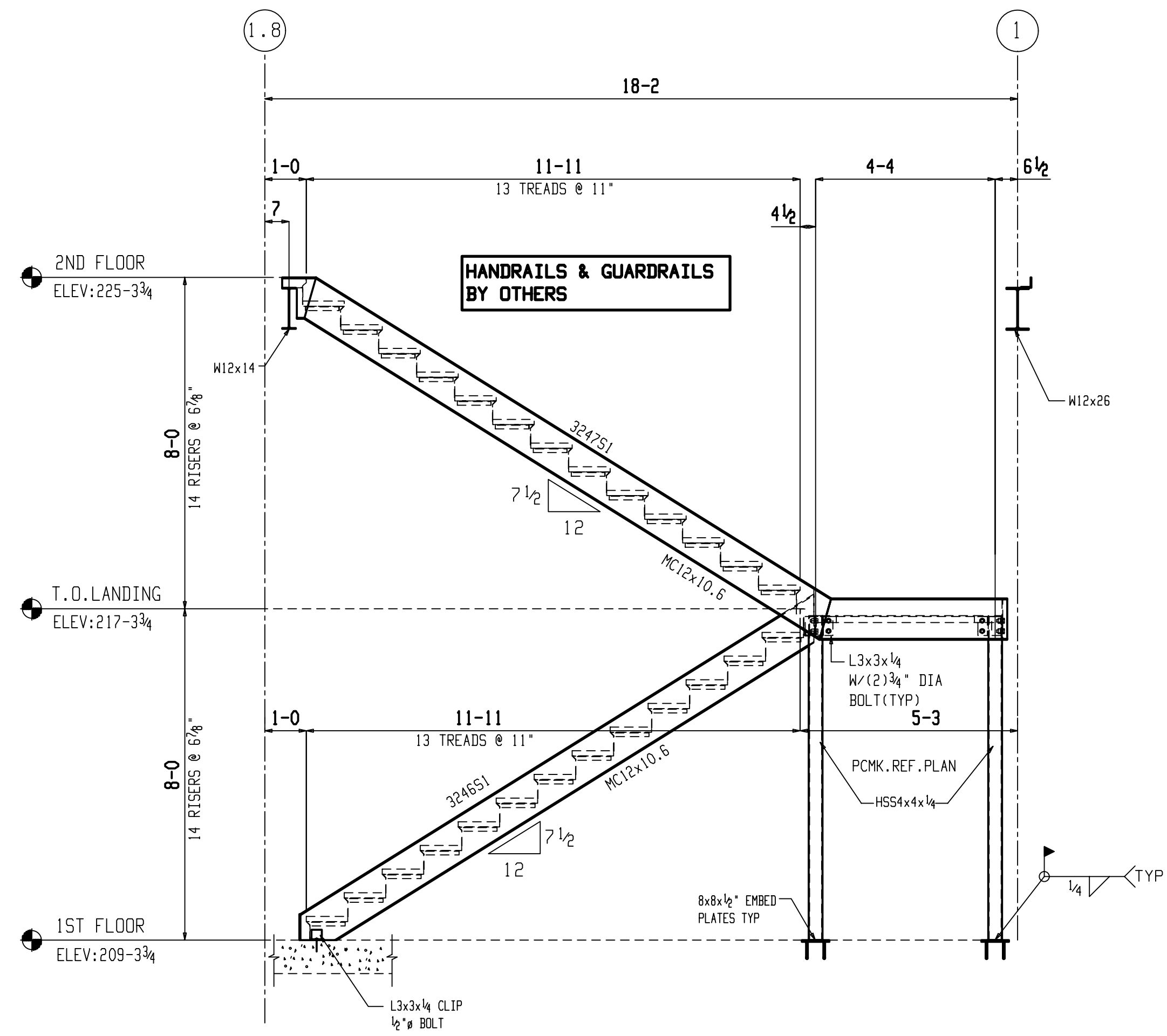


EXTERIOR STAIR PLAN  
 T.O. CONC. ELEV: 209-3 3/4 (U.N.O)  
 REF. 4/S1.4

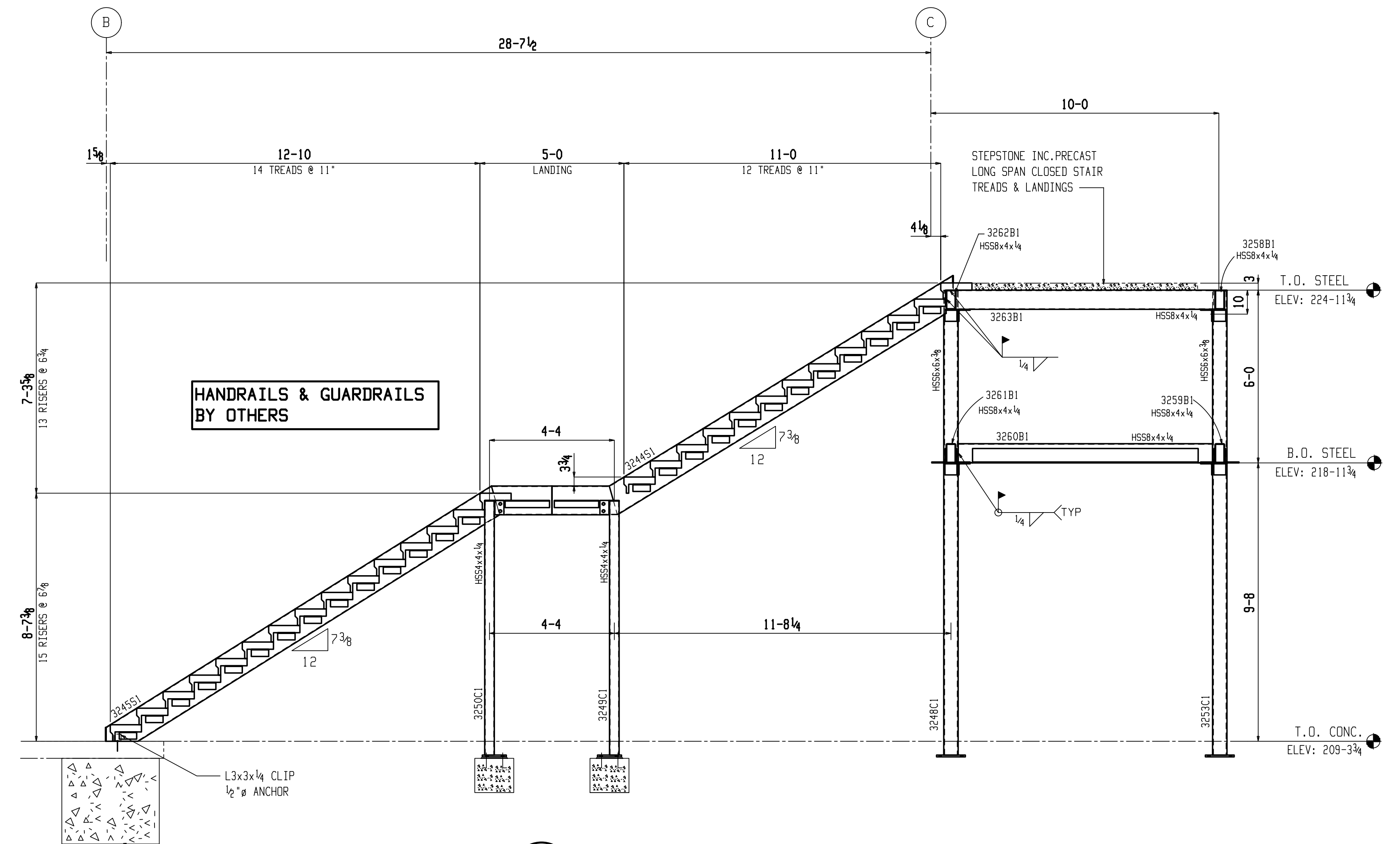
**SAMPLE DRAWING  
 FOR COMMERCIAL**



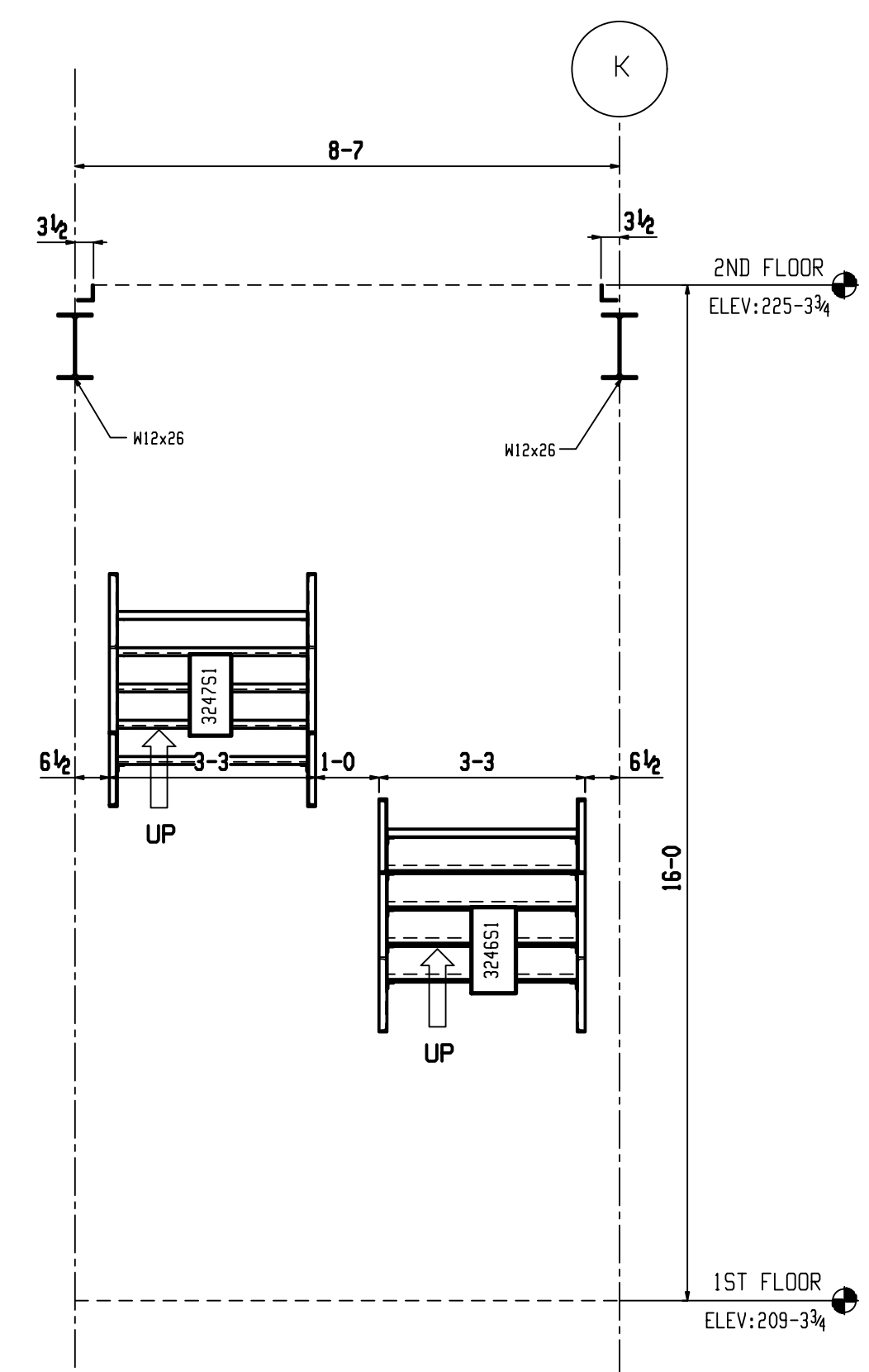
PLAN NORTH



**1 SECTION VIEW**  
 E1031 REF: 1/S2.4



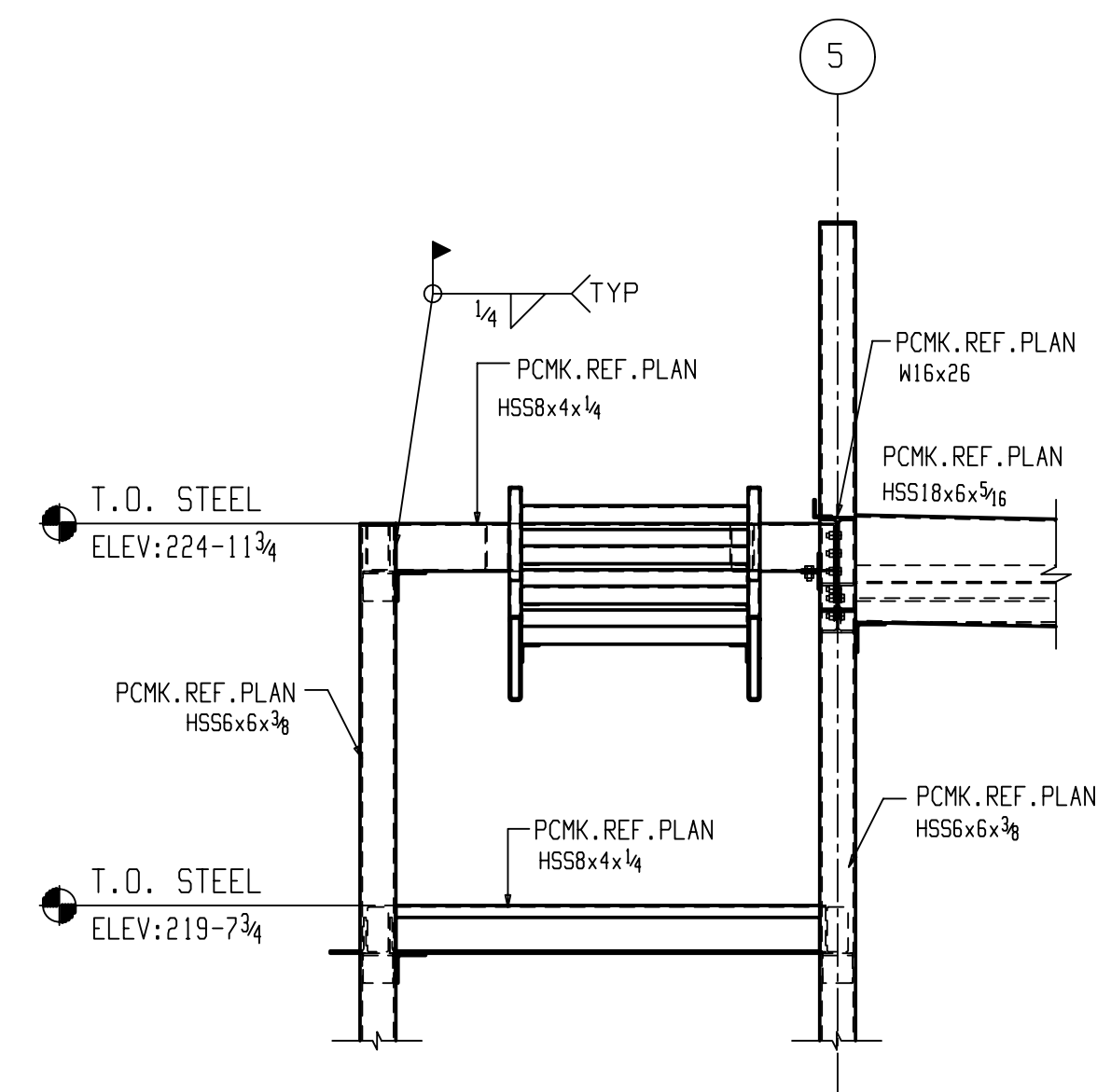
**2 SECTION VIEW**  
 E1031 REF: 4/S2.5



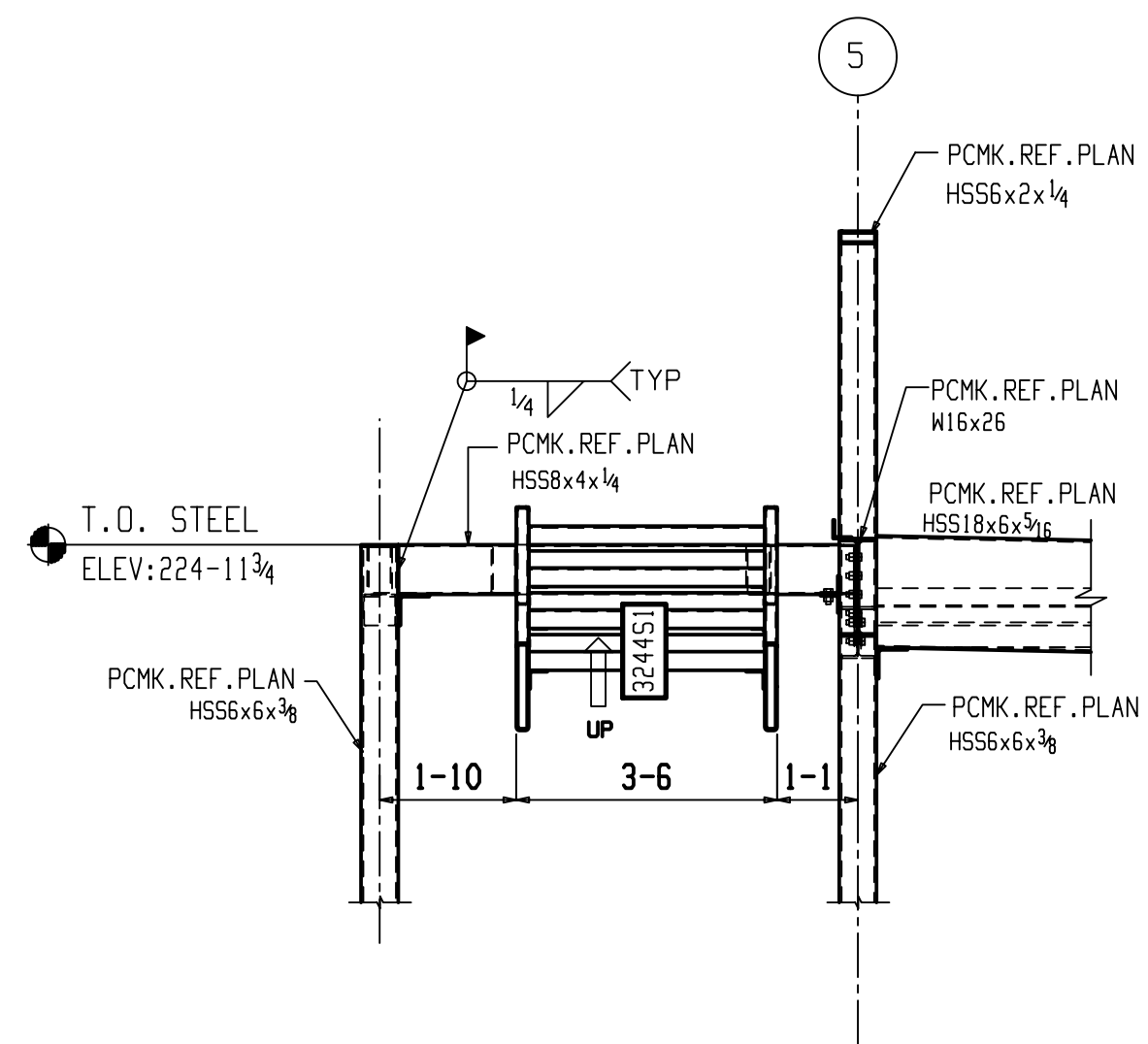
**3 SECTION VIEW**  
 E1031 REF: 5/S2.1

**SAMPLE DRAWING  
 FOR COMMERCIAL**

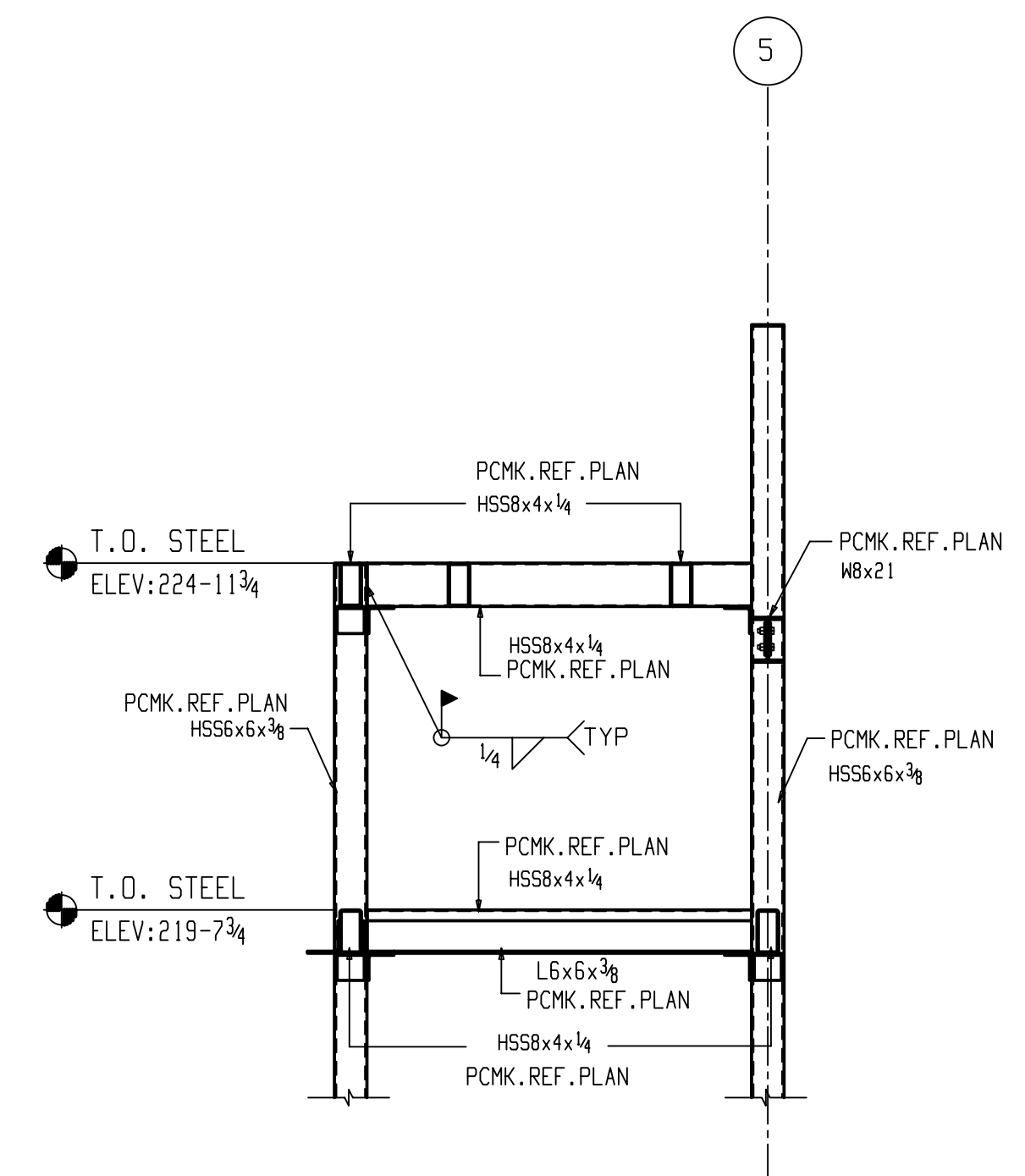




1 SECTION VIEW  
E1032 REF: 2/S2.1



2 SECTION VIEW  
E1032 REF: 2/S2.2



3 SECTION VIEW  
E1032 REF: 4/S3.4

SAMPLE DRAWING  
FOR COMMERCIAL